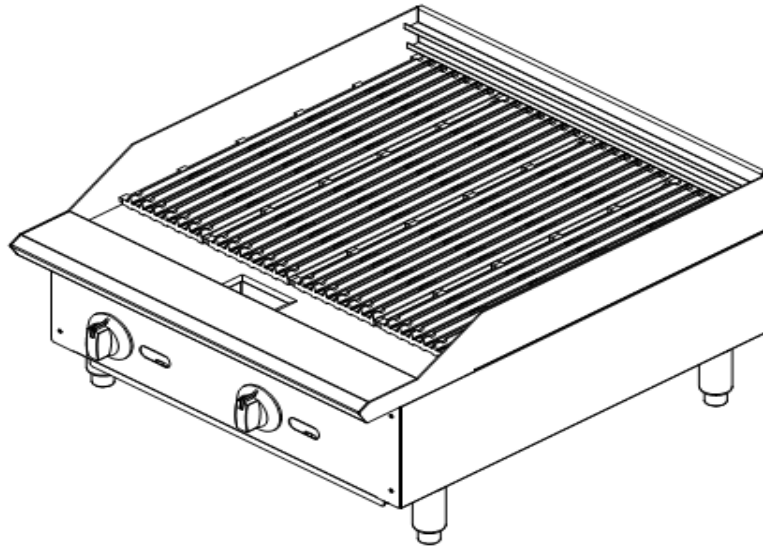




GAS COUNTER CHARBROILERS

29Y-001, 29Y-002, 29Y-003

User Manual- Installation Guide



This manual contains important information regarding your Kratos unit. Please read the manual thoroughly prior to equipment set-up and operation maintenance. Failure to comply with regular maintenance guidelines outlined in the manual may void the warranty. Improper installation, adjustment, alteration, service or maintenance can cause property damage, injury or death. Read this manual thoroughly before installing or servicing this equipment.

MUST READ!



WARNING:




This product contains chemicals known to the State of California to cause cancer and birth defects or other reproductive harm.

For more information: www.P65Warnings.ca.gov

SAFETY PRECAUTIONS


Before installing and operating this equipment, be sure everyone involved in its operation is fully trained and aware of precautions. Accidents and problems can be caused by failure to follow fundamental rules and precautions.

The following symbols, found throughout this manual, alert you to potentially dangerous conditions to the operator, service personnel, or to the equipment.

 WARNING	This symbol refers to a potential hazard or unsafe practice that could result in injury or death.
 CAUTION	This symbol refers to a potential hazard or unsafe practice that could result in injury, product damage, or property damage.
 NOTICE	This symbol refers to information that needs special attention or must be fully understood, even though not dangerous.


FOR YOUR SAFETY TO AVOID SERIOUS PERSONAL INJURY AND PROPERTY DAMAGE:

- **ALWAYS** install equipment in a work area with adequate light and space.
- **ONLY** operate on a solid, level, nonskid surface that is nonflammable and away from sinks and water hazards.
- **NEVER** bypass, alter, or modify this equipment in any way from its original condition. Doing so may create hazards and will void warranty.

 **WARNING**

FIRE HAZARD FOR YOUR SAFETY

Do not store or use gasoline or other flammable vapors and liquids in the vicinity of this or any other appliance.
 Keep area around appliances free and clear of combustibles.
 Purchaser of equipment must post in a prominent location, detailed instructions to be followed in the event the operator smells gas. Obtain the instructions from the local gas supplier

 **NOTICE**

Kratos Char Broilers are intended for commercial use only. Not for household use.
 Warranty will be void if service work is performed by other than an authorized technician, or if other than genuine Kratos replacement parts are installed.
 Be sure this Operator's/Installer's Manual and important papers are given to the proper authority to retain for future reference.

**For warranty Service on your Kratos Gas Counter Charbroiler call 800-215-9293
 Be sure to have your model and serial number when calling.**

Congratulations! You’ve made a great purchase by selecting a Kratos Charbroiler. Every Kratos product is manufactured with the customer in mind by providing the best value without sacrificing the quality.

You will find that your new equipment has been designed and manufactured to meet the toughest standards in the industry. Each piece of the equipment is carefully engineered, and designs are verified through laboratory tests and field installations. With proper care and field maintenance, you will experience years of reliable, trouble-free operation. For best results, read this manual carefully. Whatever your need is presently or in the future, look to Kratos as your full-service solution.

RETAIN THIS MANUAL FOR FUTURE REFERENCE

Table of Contents

Specifications----- Page 4
 Installation----- Page 6
 Operation ----- Page 9
 Seasoning ----- Page 10
 Cleaning ----- Page 10
 Service/Trouble Shooting----- Page 12
 Parts ----- Page 13

Read these instructions carefully before attempting installation. Installation and initial startup should be performed by a qualified installer. Unless the installation instructions for this product are followed by a qualified service technician (a person experienced in and knowledgeable with the installation of commercial gas and/or electric cooking equipment) then the terms and conditions on the Manufacturer’s Limited Warranty will be rendered void and no warranty of any kind shall apply.

SPECIFICATIONS

GAS and GAS PRESSURE

⚠ CAUTION This unit is factory supplied in Natural Gas. This unit can be converted to L.P. gas by a licensed and certified gas technician. Documentation may be necessary for warranty issues. Failure to comply with this instruction will void warranty. **See the included L.P. conversion kit for gas conversion parts and instructions.**

⚠ WARNING Unit installation must conform to the National Fuel Gas Code, ANSI Z223.1/NFPA 54, the National Gas Installation Code, CSA-B149.1, or the Propane Installation Code, CSA-B149.2 as applicable and in accordance with local codes.

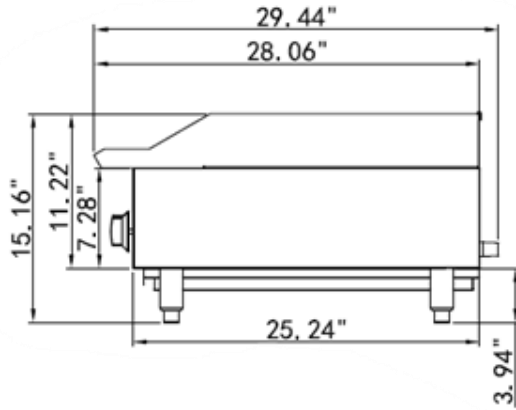
⚠ WARNING The appliance and it's individual shutoff valve (to be supplied by user) must be disconnected from the gas supply piping system during any pressure testing of that system at test pressures in excess of 1/2" P.S.I. (3.45kPa).

These models are designed, built, and sold for commercial use only.

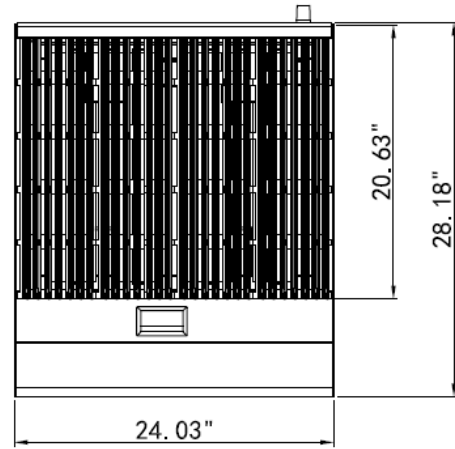
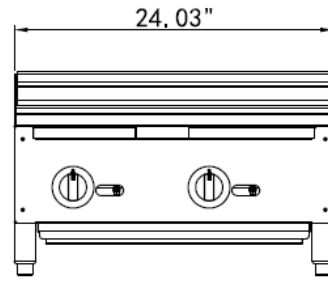
Instructions must be posted in a prominent location. All safety precautions must be taken in the event the user smells gas. Safety information can be obtained from your local gas supplier.



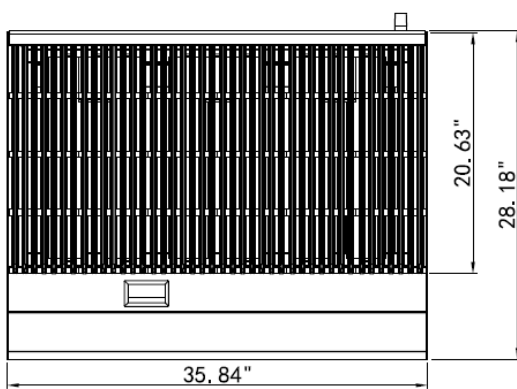
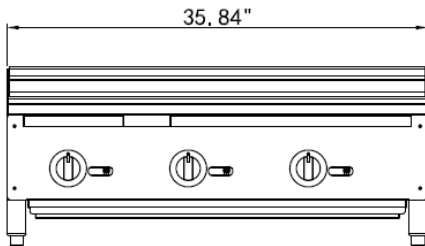
SPECIFICATIONS (Continued)



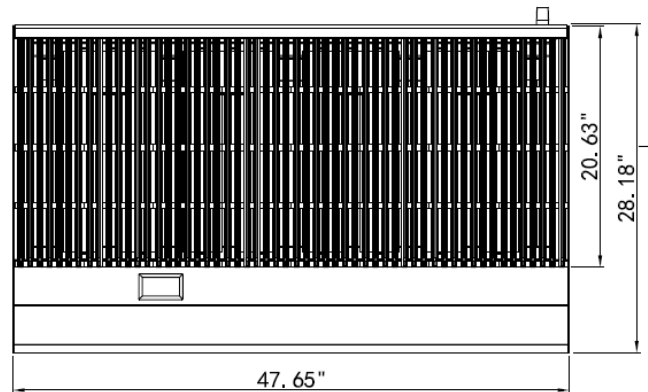
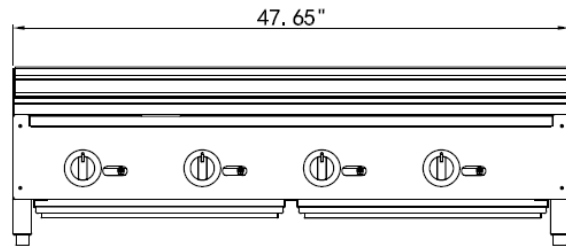
Side view all Charbroilers



24" Charbroiler



36" Charbroiler



48" Charbroiler

Model	Description	BTU.hr	Number of Burners	Gas Type
29Y-001	Gas Charbroiler 24"	70,000	2	Natural Gas or Propane*
29Y-002	Gas Charbroiler 36"	105,000	3	Natural Gas or Propane*
29Y-003	Gas Charbroiler 48"	140,000	4	Natural Gas or Propane*

*Shipped setup for Natural Gas and includes a kit for conversion to Propane Gas

UNPACKING

Unpack the Charbroiler immediately after receipt. Remove the Gas Charbroiler from the crate; remove all packaging on and surrounding the unit and be certain to remove all protective plastics and residues from all surfaces. Make sure that all parts provided including the L.P. gas conversion kit are located. Equipment must have the legs properly installed before use. Before using this equipment, it must be cleaned and dried thoroughly.

INSTALLATION

NOTE: The purchaser of this equipment MUST post this manual in a prominent location to be followed in the event that the user smells gas. This information shall be obtained by consulting the local gas supplier. The purchaser of this equipment must post this manual in a location near the equipment.

1. Read this manual thoroughly before installation and operation. DO NOT proceed with installation and operation if you have any questions or do not understand anything in this manual. Contact your local representative or Kratos first.
2. Select a location for the Charbroiler that has a level, solid, nonskid surface that is nonflammable and away from water hazards or sinks, and is in a well-lighted work area away from children and visitors.
3. This equipment must be installed under a proper ventilation as required by local code.
***NOTICE** Local codes regarding installation and ventilation vary greatly by area. The National Fire Protection Association states in its NFPA 96 latest edition (see NFPA page at the beginning of this manual) that local codes are “authority having jurisdiction” when it comes to requirements for installation of equipment. Therefore, installation should comply with all local codes.
4. Screw legs into the permanently fastened nuts on the four corners of the unit and tighten by hand. Legs must be installed to adequately provide proper ventilation to the unit.
5. Level unit by adjusting the four feet and tighten securely. The adjustable feet have an adjustment of one inch. Do not slide unit with legs mounted, lift if necessary to move unit.
6. The supplied gas pressure regulator is factory set at 4” Natural Gas W.C. or 10” Propane Gas
7. THESE UNITS ARE SUITABLE FOR INSTALLATION ON NON-COMBUSTIBLE SURFACE ONLY. Noncombustible clearances: 6” sides (152 mm), 6” rear (152 mm), 4” floor (102 mm).
8. Do not obstruct the flow of combustion and ventilation air under the unit by the legs or behind the unit by the flue. Do not place objects between the bottom of the unit and the countertop.
9. There must be adequate clearance for removal of the front panel. All major parts except the burners are removable through the front if the gas is disconnected.
10. It may be necessary to adjust the balance of gas volume and air supply to each burner. This must be done by and authorized service technician.
11. Pipe threading compound must be resistant to the action of liquefied petroleum gas. DO NOT USE TEFLON TAPE.

⚠WARNING DO NOT use an open flame to check for leaks. Check all gas piping for leaks with a soap and water solution before operating the unit

The installation of this appliance must conform to local codes, or in the absence of local codes, the National Fuel Gas Code, ANSI Z223.1/NFPA 54, or the Natural Gas and Propane Installation Code, CSA B149.1, as applicable.

- The appliance and its individual shut off valve must be disconnected from the gas supply piping system during any pressure testing of that system at test pressures in excess of ½ PSI (3.5kPa).
- The appliance must be isolated from the gas supply piping system by closing its individual manual shut off valve during any pressure testing of the gas supply piping system at test pressures equal to less than ½ PSI (3.5kPa).

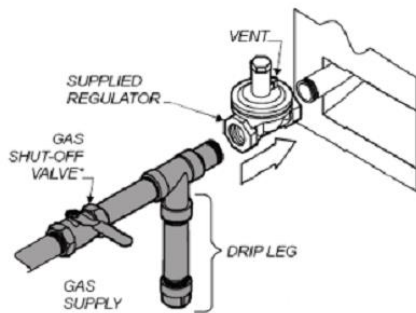
Clearance and positioning around the appliance: This appliance must be installed adjacent to non-combustible surfaces only with a minimum spacing of six (6") inches from all sides. This appliance must be a minimum distance of six (6") inches from another appliance. The appliance must have the supplied four (4") inch legs installed and be placed on a non-combustible surface.

Air supply and ventilation: The area in front and around the appliances must be kept clear to avoid any obstruction of the flow of combustion and ventilation air. Adequate clearance must be always maintained in front and at the sides of the appliance for servicing and proper ventilation.

Pressure Regulator: All commercial cooking equipment must have a pressure regulator on the incoming service line for safe and efficient operation. The regulator provided for this appliance is adaptable for both Natural Gas and Liquefied Propane (LP) Gas. A conversion kit with separate instructions is included explaining this procedure in detail.

Regulator information: 3/4" NPT (National Pipe Thread) inlet and outlet; factory adjusted for five (5") inch Water Column (WC) Natural Gas standard and may be converted by qualified personnel to be used for Propane at ten (10") Water Column pressure.

Prior to connecting the regulator, check the incoming line pressure. The regulator can only withstand a maximum pressure of 1/2 PSI (14" WC). If the line pressure is beyond this limit, a step-down regulator before the regulator provided will be required. The arrow forged into the bottom of the regulator body shows gas flow direction and should point downstream to the appliance.



Connection diagram

Gas Conversion: Conversion from Natural Gas to Liquefied Propane (LP) or vice versa may only be performed by the factory or its authorized service agent. In the case of troubleshooting, ensure that the correct orifice sizes of the spuds have been provided.

Natural Gas Orifice	#36 dms
Liquefied Propane (LP) Orifice	#49 dms

NOTE: The orifice size is marked on the spud.

Gas Connection: The appliance comes fitted with a 3/4" NPT (National Pipe Thread) male adapter for connection to the pressure regulator.

Maintenance: A qualified service company should check the unit for safe and efficient operation on an annual basis. Contact the factory representative or local service company to perform maintenance and repairs.

Gas Piping: Gas piping shall be of such size and so installed as to provide a supply of gas sufficient to meet the full gas input of the appliance. If the appliance is to be connected to existing piping, it shall be checked to determine if it has adequate capacity. Joint compound (pipe dope) shall be used sparingly and only on the male threads of the pipe joints. Such compounds must be resistant to the action of Liquefied Propane (LP) gases.

CAUTION Any loose dirt or metal particles, which are allowed to enter the gas lines on this appliance, will damage the valve and affect its operation. When installing this appliance, all pipe and fittings must be free from any internal contaminants. It is recommended that a "drip leg" be installed in-line before the regulator.

Manual Shut Off Valve: A manual shut off valve should be installed upstream from the manifold, within four (4) feet, (1.2M) of the appliance and in a position where it can be reached in the event of an emergency.

Checking For Gas Leaks: Using a gas leak detector or a soapy water solution is recommended for locating gas leaks. Matches, candle flame or other sources of ignition shall not be used for this purpose. Check entire piping system for leaks.

Exhaust Canopy: Cooking appliances inherently create a good deal of heat and smoke and should be installed under an efficient exhaust hood with flame proof filters. A vertical distance of not less than four (4) feet shall be provided between the top of the appliance and filters or any other combustible material.

⚠️WARNING FIRE DEATH HAZARD If you smell gas follow the instruction provided by the gas supplier. Do not touch any electrical switch; do not try to light the burner; do not use a telephone within proximity.

Lighting the Pilot: The manifold units are equipped with a standing pilots and each should be lit immediately after the gas is supplied to the appliance.

1. Before attempting to light pilots, turn off the main gas valve to the appliance and wait five (5) minutes to clear the gas.
2. Turn off all gas control knobs (E). See figure 1.
3. Turn on main gas valve and light all pilots.
4. The pilot burner must be lit at the end of the tube. Hold an ignition source through the pilot light hole (D) in the front panel at the pilot tube. When the flame is established remove ignition source.
5. To shut down the appliance, turn off the main gas valve to the appliance.

NOTE: Smoke appearing on initial use of the appliance is normal. This is a result of the rust preventative coating burning off. This will occur for at least fifteen (15) minutes during the first use or seasoning process.

Pilot Flame Regulation: The pilot flame on the appliance has been factory adjusted. When adjustment is necessary, adjust the pilot flames as small as possible, but high enough to light the burner immediately when burner valve is turned to the "HIGH" setting. Access to the pilot flame adjustment screw is obtained by removing the front panel.

Burner Adjustment: Remove the front panel to gain access. Turn burner valve knob to "HIGH" position. Slowly decrease mixing ring aperture to give a soft blue flame having luminous tips, then slowly increase opening to a point where the yellow tips disappear and a hard blue flame is obtained.

COMMISSIONING: Commission of your new Charbroiler is of the utmost importance. Commissioning is the thorough and methodical testing of the equipment, subsystems, and systems to ensure that the final product functions properly and safely at the work site. By identifying any potential problems (i.e.: equipment location, ventilation, local fire/electrical codes, installation, operator training, and certification) prior to equipment being placed into service, costly outages and potential damages may be avoided.

⚠️WARNING Improper installation, adjustment, alteration, service or maintenance can cause property damage, injury or death. Read the installation, operating and maintenance instruction thoroughly before installing or servicing this equipment.

⚠️WARNING FIRE HAZARD
Do not install or use without 4" legs. Use of this equipment without legs can cause the appliance to overheat and cause a fire.

ALWAYS SAFETY FIRST!

⚠️ WARNING FIRE, INJURY or DEATH HAZARD This appliance is for use in non-combustible location only

⚠️ WARNING FIRE, INJURY or DEATH HAZARD

This equipment must be installed by a qualified installer in accordance with all federal, state and local codes. Failure to install this equipment properly can result in injury or death.

⚠️ WARNING FIRE and INJURY or DEATH HAZARD

Injuries or death can occur if this equipment is not used properly. To reduce risk of injury or death:

- Keep the appliance area free and clear from combustibles
- Do not obstruct the flow of combustion and ventilation air
- Do not spray controls or the outside of the appliance with liquids or cleaning agents
- Let hot appliance cool before cleaning or moving
- The appliance should only be used in a flat, level position
- Do not operate unattended

IMPORTANT SAFEGUARDS & SAFETY INSTRUCTIONS

⚠️ CAUTION When using gas cooking equipment, basic safety precautions should always be followed, including the following:

The Charbroiler outside surfaces may become HOT after use. Use caution when touching the unit.

- Never directly touch the cooking surface while the Charbroiler is on.
- Always turn off the unit when not in use, servicing or adjusting any parts or attachments, and before cleaning.
- Never leave the Charbroiler on overnight.
- Do not operate any equipment with a damaged or leaking gas line, ignitor, or valve or if the unit is dropped or damaged in any manner. Call for Service.
- The use of attachments not recommended or sold by the manufacture may cause fire, injury or even death.
- **DO NOT US OUTDOORS.**
- Do not use this equipment for any use other that the use intended by the manufacturer.
- Never use the Charbroiler as a heating source.
- The Charbroiler does not contain **any** user-serviceable parts. Dealer or recommended qualified technicians should carry out repairs. Do not remove any components or service panels on this product.
- Never bypass, alter, modify, or attach any unauthorized parts to this equipment. Doing so may create a hazard and will void warranty.
- We take every care to ensure that all products are safe. Steel cutting procedures used to manufacture these items, result in sharp edges. These sharp edges are removed to the best of our ability; however, we insist the operator take care when in contact with this piece of equipment.
- Always keep hands, hair, and clothing away from heating source.
- Allow the Charbroiler to cool down after use and before dismantling for cleaning; the unit will be too hot to handle immediately after use.
- **DO NOT USE ICE TO COOL DOWN THE CHARBROILER PLATE.** This will cause the Charbroiler plate to warp and render it unusable.

Operating the Charbroiler – Pilot Lighting Instructions for MANUALLY CONTROLLED CHARBROILERS

Before operating Charbroiler, it should be checked to see that is sitting level. Adjust the feet to level the Char Boiler. Be sure the catch tray had been properly placed.

The pilot light on the appliance has been set at the factory. Each burner has a pilot light.

1. Make sure all knobs are in the “OFF” position.
2. The main gas valve should be “CLOSED/OFF” for five (5) minutes prior to lighting plots to clear any existing gas. (Main gas valve is supplied by others.)
3. Turn “ON” or “OPEN” the main gas valve to the unit.
4. Light and hold an ignition source (match) at the pilots. When the flame is established, remove the ignition source. Repeat this step for each burner as each burner has its own individual pilot. The pilot can be reached through the holes in the front of the unit.
5. Turn each burner knob “ON”. If the burners do not ignite promptly, turn the knobs “OFF”. From the opening in the front panel, use a screwdriver and turn the pilot valve screw counterclockwise, which will increase the flame height and repeat step 4.

If the pilot flame appears large than necessary, turn it down and retest the burner ignition. The pilot flame should be as small as possible but large enough to guarantee reliable ignition of the burners when the knobs are turned to “ON”. In the holes located in the front panel are pilot valve adjustments. Use a screwdriver to turn the valve to adjust the flame height to your desired level.

⚠ CAUTION All burners are lit from constantly burning pilots. Turning the valve to the desired flame height is all that is required to put the unit in service.

OPERATING INSTRUCTIONS

Igniting the Burner

To ignite the burner, turn knob to the “ON” position, then back off to the desired flame level. The range of adjustment is virtually infinite between “ON” and “OFF”. The space between the legs at the bottom admits combustion air. **DO NOT BLOCK THIS SPACE.**

All burners are lit from a constantly burning pilots. Turning the valve to the desired flame height is all that is required to put the unit in service.

Do not permit fans to blow directly at the unit. Whenever possible, avoid open windows next to the unit’s sides or back. Avoid wall type fans which create air crosscurrents within a room.

It is also necessary that sufficient air should be allowed to enter the room to compensate for the amount of air removed by any ventilation system. Otherwise, a subnormal atmospheric pressure will occur, affecting operation and causing undesirable working conditions.

A properly designed and installed hood will act as the heart of the ventilation system for the room or area in which the unit is installed, and will leave the unit independent of changing draft conditions.

NOTE: It may be necessary to adjust the balance of gas, volume, and air supply to each burner. This must be done by an authorized service technician.

SEASONING THE CHARBROILER

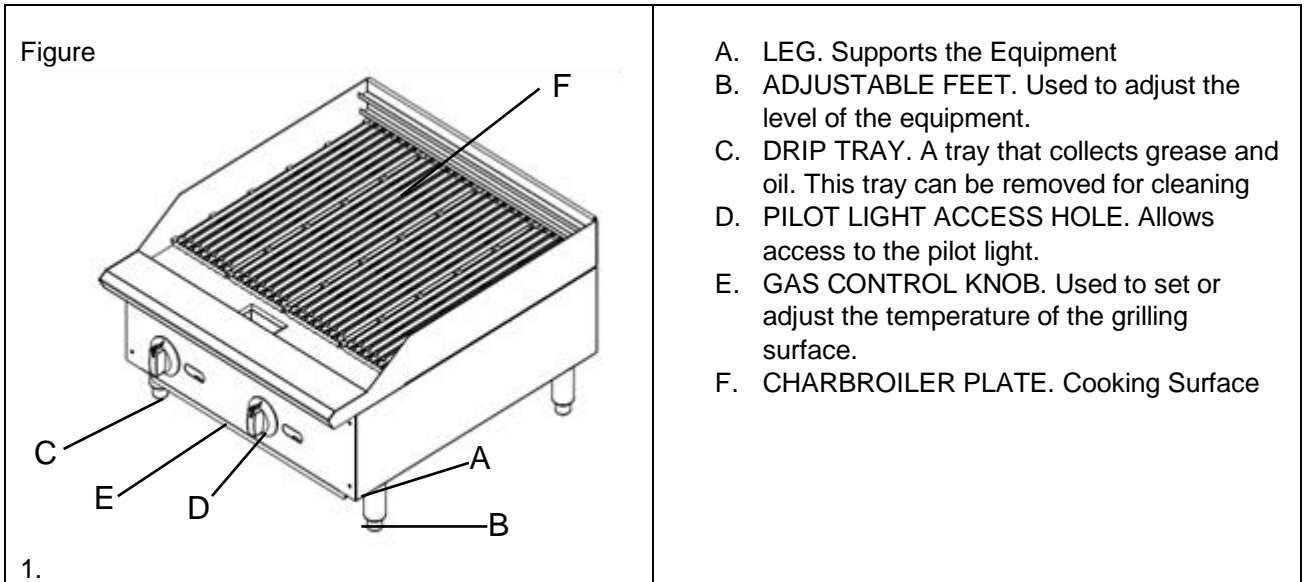
Be sure to start with a clean Charbroiler surface. Pour small amount of high-quality cooking oil to the Charbroiler using a clean cloth (about one ounce per square foot of surface). Spread the oil (thin coat) over the entire Charbroiler grids. NOTE: Do not use excessive oil. Turn on the Charbroiler to the lowest flame height and allow to heat for approximately 30 minutes. The cooking grids are now ready for use.

Note: Each time the Charbroiler is cleaned with soap and WATER, the seasoning is removed and this process must be repeated.

OPERATING THE CHARBROILER

Turn the burners on about 15-20 minutes before cooking for preheating. Set the knobs to the desired flame height or temperature.

Each valve controls the gas flow to the burner to bring that area of the Charbroiler up to the desired temperature. If different temperature settings are to be used, adjoining areas should be set to a progressively higher temperatures using the lowest temperature on the outside burners. A uniform and systematic approach to the loading of the unit will produce the most consistent product results.



CLEANING INSTRUCTIONS

CAUTION

- **DO NOT** use any abrasive or flammable cleaning fluids.
- **DO NOT** hose down, immerse, or pressure wash any part of the Charbroiler, excluding the catch tray.
- **NEVER** use a scrubber pad (on all exterior surfaces, except the Charbroiler plate), steel wool or abrasive material, or cleaners containing chlorine, iodine and ammonia, or bromine chemicals as these will deteriorate the stainless steel and shorten the life of the unit.

CAUTION IF CLEANING ALL THE CHARBROILER'S SURFACES, THE MAIN GAS VALVE MUST BE SWITCHED TO THE CLOSED POSITION. AFTER CLEANING, THE GAS LINE CAN BE SWITCHED BACK TO THE OPEN POSITION. PLEASE FOLLOW THE LIGHTING INSTRUCTION IN THE MANUAL TO RELIGHT THE BROILER'S PILOT LIGHTS AS NEEDED.

Recommended Cleaning

It takes very little time and effort to keep the Charbroiler attractive and performing at top efficiency. Wait until the Charbroiler is cool after the unit had been turned off. Please follow the cleaning steps below:

PART	REQUIRED ACTION	FREQUENCY
Body	Use a clean cloth and a non-abrasive cleaner to clean the stainless steel body of the Charbroiler. Wipe the polished areas with a soft cloth.	Daily
Back and Side Splashes	Thoroughly clean. Wipe with clean, warm medley soapy water then re-wipe splashes with a damp cloth.	Daily
Controls	Unit should be turned off when not in use. It is recommended that the unit be disconnected from the gas supply by closing the main gas valve. Use a clean cloth to wipe any grease or debris from the control knobs.	Daily
Char Boiler Grids	Clean surface with a grill brush or metal scrapper. <ul style="list-style-type: none"> • Remove cooking grids from the Charbroiler. Place in a sink or cleaning tub. • Clean the Charbroiler surface thoroughly. If necessary, use a Charbroiler wire brush. • Wash with mild soap and warm water. • Remove all soap and debris thoroughly, wipe with a clean, damp cloth. • The cooking grids should then be covered with a thin film of oil to prevent rusting. • Clean stainless surfaces with a damp cloth and polish with a soft dry cloth. To remove discoloration, use a nonabrasive cleaner. • After each “weekly” cleaning, the Charbroiler must be seasoned again. If the Charbroiler usage is very high, the “weekly” cleaning procedures may be done more often than once a week. The use of ice on the Charbroiler plate to cool may damage the plate. 	Daily & Weekly
Catch Tray	Once the unit has cooled, remove the catch tray and discard the waste, grease, debris, and crumbs. CAUTION: If the catch tray is permitted to fill too high, grease/debris is likely to accumulate under the unit. This catch tray/drawer is removed by pulling forward. USE CAUTION WHEN REMOVING!	As Needed

TROUBLESHOOTING

Problem	Possible Cause	Solution
Charbroiler not lighting	<p>Main gas line is closed.</p> <p>Quick disconnect not inserted all the way.</p> <p>Pilot light is not lit.</p> <p>Cause unknown</p>	<p>Open Valve</p> <p>Check quick disconnect and make sure it is fully inserted into female coupling.</p> <p>Ignite pilot light.</p> <p>Call for service.</p>
Flame is too high or too low	Adjustment knob is turned up or down	Adjust flame with control knob.
Pilot light not staying lit.	<p>Flame is too low</p> <p>Pilot tube clogged.</p>	<p>Adjust pilot light flame height.</p> <p>Replace pilot tube. Call for service.</p>
Strong smell of gas in cooking area.	<p>Main gas line leak</p> <p>One or more of the pilots may be out and burner knob turned on.</p>	<p>Turn off main gas valve. DO NOT LIGHT FLAME, ignite anything, or turn/switch on anything electrical. Call Fire department if needed and call for service.</p> <p>Check to see if burners and pilots are lit. If not, turn off all burner valves and main gas valve and wait for excess gas to dissipate. Reattempt to light pilots after allowing excess gas to clear.</p>
Cooking surface is heating up slowly.	<p>Carbon buildup on Char Boiler surface.</p> <p>Cause unknown</p>	<p>Clean Charbroiler surface.</p> <p>Call for service.</p>
Gas type of unit needs to be converted.	Unit ships from the factory Natural gas. Conversion from Natural Gas to L.P. is possible for this unit.	Call for service. This is not considered a warranty issue. Do not attempt conversion on your own.

If problems persist and the assigned solution does not remedy the issue, please call for service.

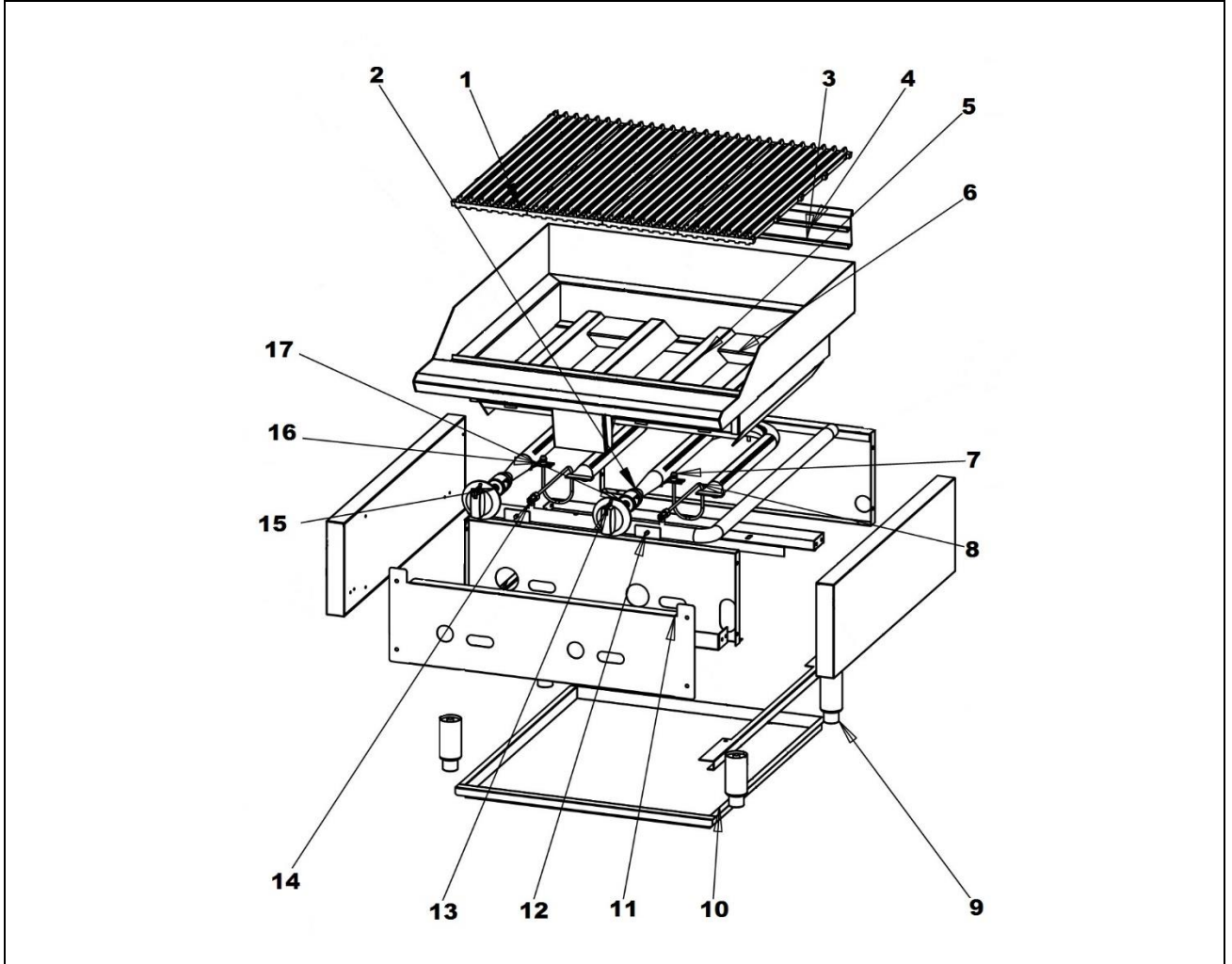
PARTS

NOTICE

INSTALLATION OF OTHER THAN GENUINE KRATOS PARTS WILL VOID THE WARRANTY ON THIS EQUIPMENT.

The serial plate is located on the inside, behind the front panel. Replacement parts may be ordered either through a KRATOS Authorized Parts Distributor or a KRATOS Authorized Service Agency

When ordering parts, please supply the Model Number, Serial Number, Part Number, and Description.



Ref #	Description	Ref #	Description
1	COOKING GRID	10	DRIP PAN
2	U-SHAPED BURNER	11	FRONT PANEL
3	HEIGHT ADJUSTMENT LOWER	12	GAS INLET PIPE
4	HEIGHT ADJUSTMENT UPPER	13	CHAR BOILER DIAL
5	BURNER RADIANT	14	PILOT VALVE
6	BURNER RADIANT SPRT	15	GAS VALVE
7	PILOT	16	PILOT BRACKET

KRATOS GAS CHARBROILERS

USER MANUAL

8	PILOT TUBING	17	ORIFICE HOOD
9	ADJUSTABLE LEG	*	PRESSURE REGULATOR



1 year Equipment Limited Warranty

Kratos offers a 1 year warranty to the original purchaser of new equipment, the model of equipment will be free of defects in material and workmanship for a period of 1 year from the date of delivery. Warranty is not transferrable. Kratos, at its own discretion, will provide replacement components, replace the entire unit or refund the purchase price to satisfy the warranty obligation.

Kratos makes no other warranties, express or implied, statutory or otherwise, and hereby disclaims all implied warranties, including the implied warranties of merchantability and of fitness for a particular purpose.

The year limited warranty does not cover:

- Failure to install and/or use equipment within proper operating conditions as specified by Kratos.
- Outdoor use will void the warranty. The finish is not guaranteed in mobile applications where the table can be damaged due to not being secured to the floor.
- Products that have been modified, abused, or misused. Any products that have been exposed to corrosive or other cleaners not intended for use on stainless steel will void the warranty.
- Any products sold outside the contiguous United States.
- Any products where the original sale cannot be determined. No order #, invoice or receipt to provide proof of purchase will result in no warranty coverage.
- Labor or service not authorized by Kratos is not covered under this warranty.
- Freight damage must be made at time of delivery and addressed with the carrier for compensation.
- Kratos will not be liable for any parties that experience loss of product, consequential damage, lost business, or any other expenses.
- Defects or damage due to improper maintenance, wear and tear, abuse, misuse, vandalism, or Act of God

For Warranty Inquiries

To obtain warranty information or make a claim against this warranty, please contact the location where you purchased the product.

If purchased on www.centralrestaurant.com, call 800-215-9293 or email sales@centralrestaurant.com

