



KC72
with compressor left, stainless doors, and stainless top. Shown with optional CT-3-SS dispensing tower



Standard Features

- Galvanized steel interior with stainless steel floor
- Stainless steel keg racks and 1/2" thick high impact polypropylene threshold scuff plate
- Locking doors
- Evaporator above compressor compartment to maximize storage capacity
- Recessed compressor compartment back and 90° electrical plug enables flush wall placement
- Easy to remove condenser filter can be regularly cleaned to maintain condenser coil efficiency
- 180° swinging doors
- Leg sockets recessed into base

Project: _____	AIA# _____
Item #: _____ Qty: _____	SIS# _____
Model #: _____	

Keg Cooler 72" Self-Contained

KC72

KC72 Configurable Options

Temperature:

- Beer/Food - 34°F to 40°F
- White wine - 50°F to 55°F
- Red wine - 60°F to 65°F

Refrigeration Compartment

Location:

- Left or Right

Front Finish:

- Black vinyl-clad
- Stainless steel

Door Hinge Location (specify for each door):

- Left or Right

Door Handle (specify for each door):

- Polished stainless
- Polished brass
- Stainless pull tab

Top Style:

- No finished top
- Stainless top
- Laminated top

Left and Right Side Finish:

- Black vinyl-clad
- Stainless steel
- Laminated

Back Finish:

- Galvanized steel
- Stainless steel

Tower Style:

STAINLESS FINISH	MIRROR FINISH	BRASS FINISH*	FAUCETS
MODEL	MODEL	MODEL	
CT-1-SS	CT-1-MF	CT-1-PB	1
CT-2-SS	CT-2-MF	CT-2-PB	2
CT-3-SS	CT-3-MF	CT-3-PB	3
BT-4-SS	BT-4-MF	BT-4-PB	4
BT-5-SS	BT-5-MF	BT-5-PB	5
BT-6-SS	BT-6-MF	BT-6-PB	6
BT-8-SS	BT-8-MF	BT-8-PB	8
BT-10-SS	BT-10-MF	BT-10-PB	10

*NOTE: Brass finish towers provided with mirror finish drain pan and brass finish perforated insert



Intertek

EP 5016978
Energy Performance Verified /
Rendement Énergétique Vérifié



Intertek

Intertek

4004503
Conforms to NSF/ANSI STD 7
and UL STD 471

Certified to CSA STD C22.2 No. 120
Meets NSF 7 requirements for closed container products

See our Product Directory for a complete list of cooler accessories.

Specifications

Electrical

- 120V, 1 phase, 60 Hz
- Full load amps - 7.0
- Dedicated 15 amp circuit is required
- Includes a 6 foot NEMA 5-15P grounded cord and plug which exits the back of refrigeration compartment

Refrigeration

- R290 - 125 grams
- Compressor - 1/4 HP
- Heat rejection - 2,867 BTU/Hr

Operating Range

- 34°F (1°C) to 40°F (4°C)

Plumbing

- Automatic condensate evaporator. No drain connection required
- 1/2" tailpiece provided on drain pan and pre-plumbed drain line which exits out bottom front of refrigeration compartment



5-15P

Materials

- Stainless steel parts include: exterior sub-top, interior floor, evaporator cover, front of cabinet, hinges, hinge and lock brackets, and optional legs
- Black vinyl-clad steel parts include: standard sides, doors, and compressor cover
- Galvanized steel parts include: interior walls and ceiling, back and bottom
- Zinc plated CR steel parts include: leg sockets

Capacities

- 1/2 barrels - 3
- 1/4 barrels - 3
- 1/6 barrels* - 11

*Consult factory for different tower options.

Glastender, Inc. • 5400 N Michigan Rd • Saginaw, MI • 48604-9780
989.752.4275 • 800.748.0423 • Fax 989.752.4444
www.glastender.com

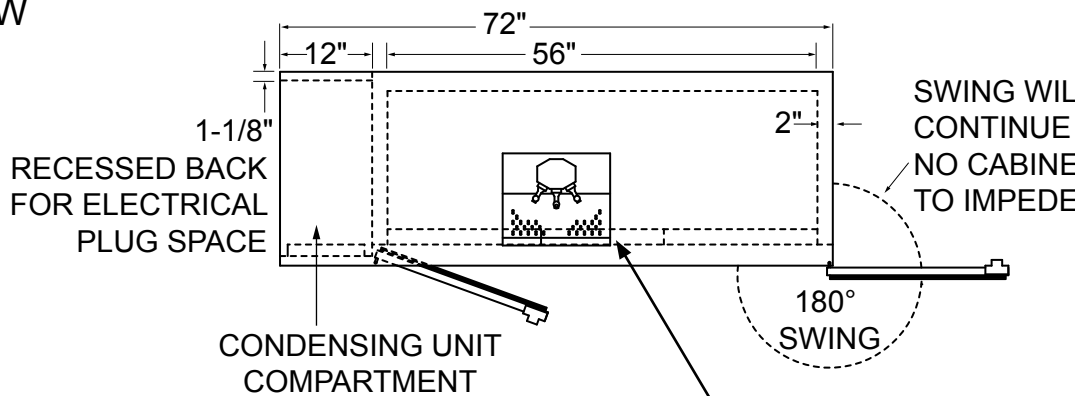
Approval/Notes:

Specifications subject to change without notice. For current specifications please visit our website.

Keg Cooler 72" Self-Contained

Dimensional Information

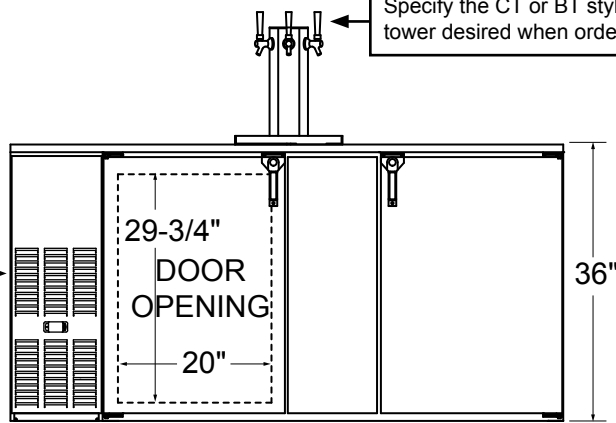
PLAN VIEW



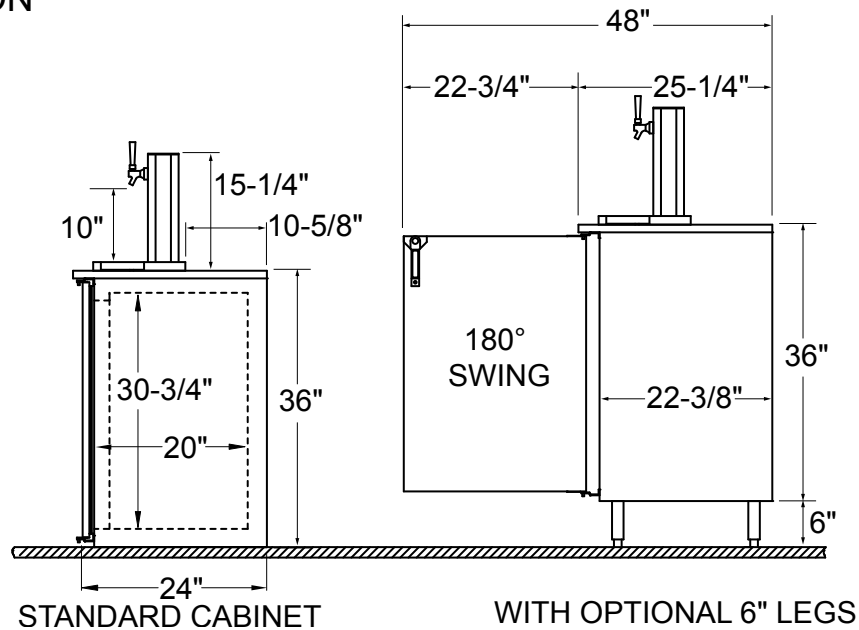
Note: Shown with optional CT-3 dispensing tower. Specify the CT or BT style tower desired when ordering.

FRONT ELEVATION

Note: Available with compressor left or right. Compressor left model shown. Use Configurable Options to specify location when ordering.



SIDE ELEVATION



5400 N Michigan Rd • Saginaw, MI • 48604-9780
 989.752.4275 • 800.748.0423 • Fax 989.752.4444
 www.glastender.com