

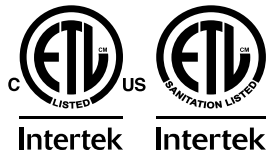
# Glastender®

A family company manufacturing in the USA

www.glastender.com



C2FB60  
with compressor left,  
stainless glass doors,  
and stainless top



4004503  
Conforms to NSF/ANSI STD 7  
and UL STD 471  
Certified to CSA STD C22.2 No. 120  
Listed to NSF Standard 7 for closed  
container products

## Standard Features

- Available in three configurations: beer and white wine, beer and red wine, or white wine and red wine
- The two temperature zones are independently controlled
- The warmer zone is always a single door and located opposite the compressor end
- Locking door(s) (drawers sections do not lock)
- LED interior lighting
- Heated mullion to minimize condensation
- Evaporator above compressor compartment to maximize storage capacity
- Any door opening may be converted to a drawer section or to draft dispensing
- Available without a finished top for integrated installation below customer supplied bar top
- 180° swinging door

## Specifications

### Electrical

- 120V, 1 phase, 60 Hz
- 7.0 Full load amps
- Dedicated 15 amp circuit is required
- Includes a 6 foot NEMA 5-15P grounded cord and plug which exits the back of refrigeration compartment

### Refrigeration

- R290
- Compressor - 1/4HP
- Heat rejection - 2867 BTU/Hr

### Operating Range

- Beer compartment: 34°F (1°C) to 40°F (4°C)
- White wine compartment: 50°F (10°C) to 55°F (13°C)
- Red wine compartment: 60°F (16°C) to 65°F (18°C)



5-15P

Project: _____	AIA# _____
Item #: _____ Qty: _____	SIS# _____
Model #: _____	

## Coolers Two Zone, Front Serviced, Bar Profile

C2FB52, C2FB60, C2FB72,  
C2FB84, C2FB92, C2FB108

## C2FB Configurable Options

### Temperature:

- Beer/White wine - 34°F to 40°F / 50°F to 55°F
- Beer/Red wine - 34°F to 40°F / 60°F to 65°F
- White/Red wine - 50°F to 55°F / 60°F to 65°F

### Refrigeration Compartment

#### Location:

- Left or Right

### Refrigeration Compartment

#### Cover Finish:

- Black vinyl-clad
- Unlaminated
- Stainless steel
- Jeweled stainless
- Laminated

### Door/Drawer Style & Finish:

- Door - Black vinyl-clad
- Door - Unlaminated
- Door - Stainless steel
- Door - Jeweled stainless
- Door - Laminated
- Door - Glass, black vinyl-clad
- Door - Glass, stainless steel
- Door - Glass, jeweled stainless
- Door - Glass, laminated
- Drawers - Black vinyl-clad
- Drawers - Stainless steel
- Drawers - Jeweled stainless
- Drawers - Laminated

### Door Hinge Location

(specify for each door):

- Left or Right

### Shelving

(specify per door section):

- Three adjustable shelves
- Keg rack

### Door Handle:

(Note: drawers come with a stainless pull tab handle and no lock)

- Polished stainless
- Polished brass
- Stainless pull tab

### Top Style:

- No finished top
- Stainless top
- Laminated top

### Left and Right Side Finish:

- Black vinyl-clad
- Stainless steel
- Laminated

### Back Finish:

- Galvanized steel
- Stainless steel

### LED Lighting Style:

- Bright white (7,000k)
- Warm white (3,500k)
- Amber (2,700k)
- Blue

See our Product Directory for a complete list of cooler accessories.

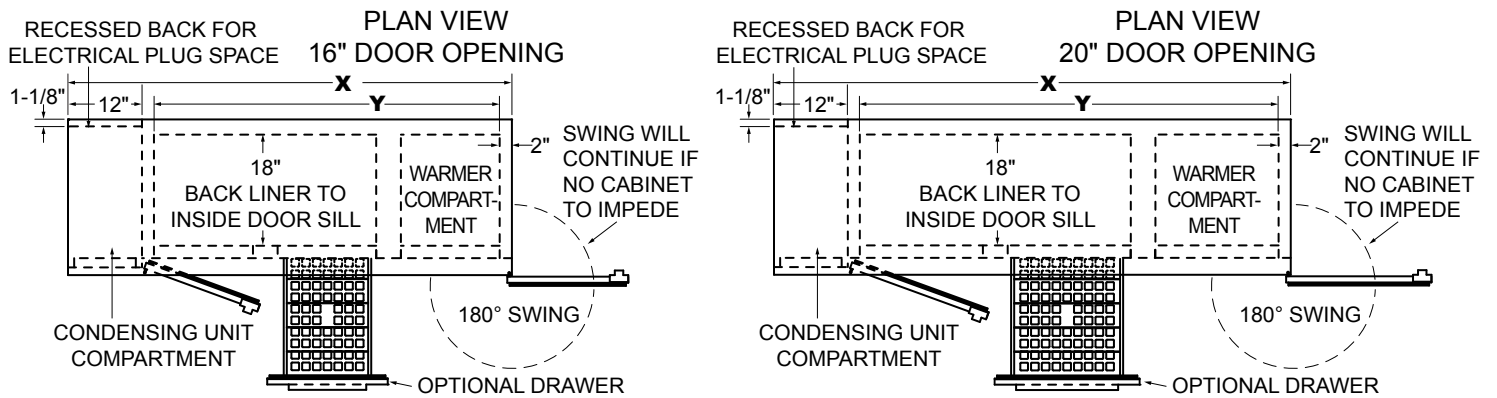
Glastender, Inc. • 5400 N Michigan Rd • Saginaw, MI • 48604-9780  
989.752.4275 • 800.748.0423 • Fax 989.752.4444  
www.glastender.com

Approval/Notes:

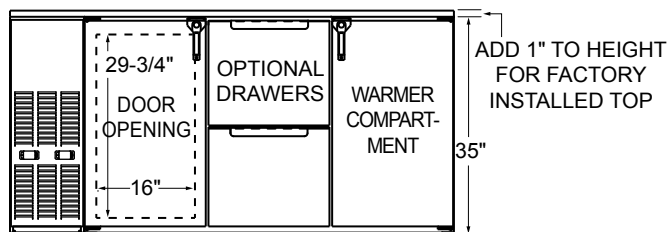
Specifications subject to change without notice. For current specifications please visit our website.

# Coolers - Two Zone, Front Serviced, Bar Profile

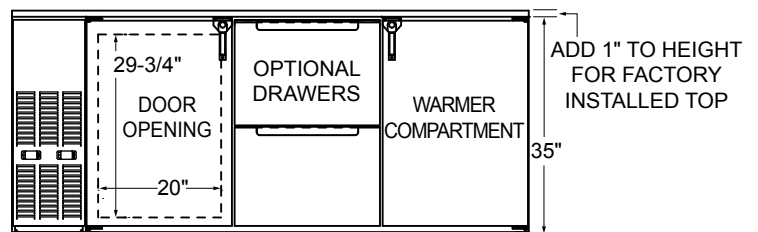
## Dimensional Information



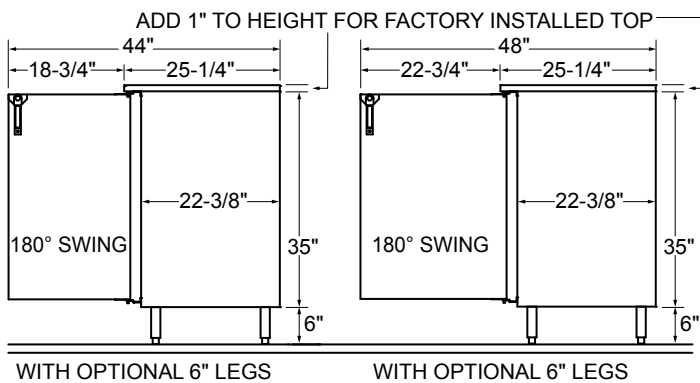
FRONT VIEW - 16" DOOR OPENING



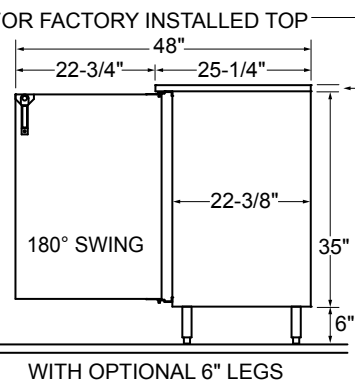
FRONT VIEW - 20" DOOR OPENING



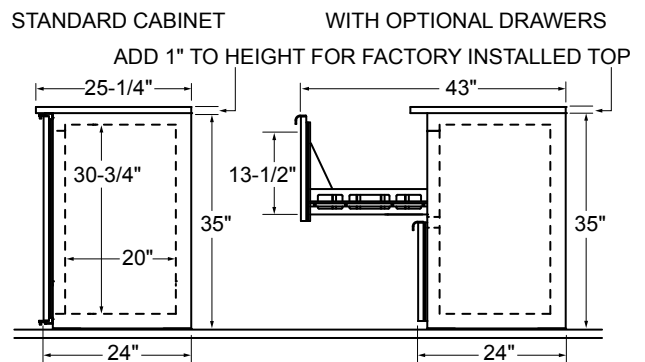
SIDE VIEW - 16" DOOR OPENING



SIDE VIEW - 20" DOOR OPENING



SIDE VIEW



Note: Available with compressor left or right. Compressor left model shown.

16" Door Opening Models	X	Y	DOORS	Capacities			
				12 oz. bottles, cases	750ml wine bottles*	1/2 barrel kegs	1/6 barrel kegs
C2FB52	52"	16"	2	11.8	117	N/A	4
C2FB72	72"	36"	3	19.3	176	N/A	9
C2FB92	92"	56"	4	27.1	246	N/A	13

20" Door Opening Models	X	Y	DOORS	Capacities			
				12 oz. bottles, cases	750ml wine bottles*	1/2 barrel kegs	1/6 barrel kegs
C2FB60	60"	20"	2	15.8	141	2	8
C2FB84	84"	44"	3	25.3	234	3	12
C2FB108	108"	68"	4	35.1	318	5	18

\*Drawer units hold up to 40 wine bottles per 20" section and up to 60 wine bottles per 24" section



5400 N Michigan Rd • Saginaw, MI • 48604-9780  
 989.752.4275 • 800.748.0423 • Fax 989.752.4444  
 www.glastender.com

Printed in USA