

Item No. _____

Model Number: 5021TE

Description

NON-STICK BELGIAN BAKER



Gold Medal Waffle Bakers all have a proven track record. 7 1/4" round Belgian Waffles are a super source of profits for Coffee Shops everywhere. Always sell for \$2.00 to \$4.00 more than a regular breakfast waffle. Note the two types of grids – standard and removable.

For specialty locations, the 4" x 4" is a great item for food courts, midways, "dessert trailers" – build it up with ice cream, whip cream, syrup, and a fruit garnish – a 26¢ food cost and a \$2.50 retail.

The Belgian Waffle Boat is typically a Sunday Brunch item – but, can be worked up into a midway concession or food court specialty. All the bakers on this page use the Belvarian One Step Belgian Waffle Mix .

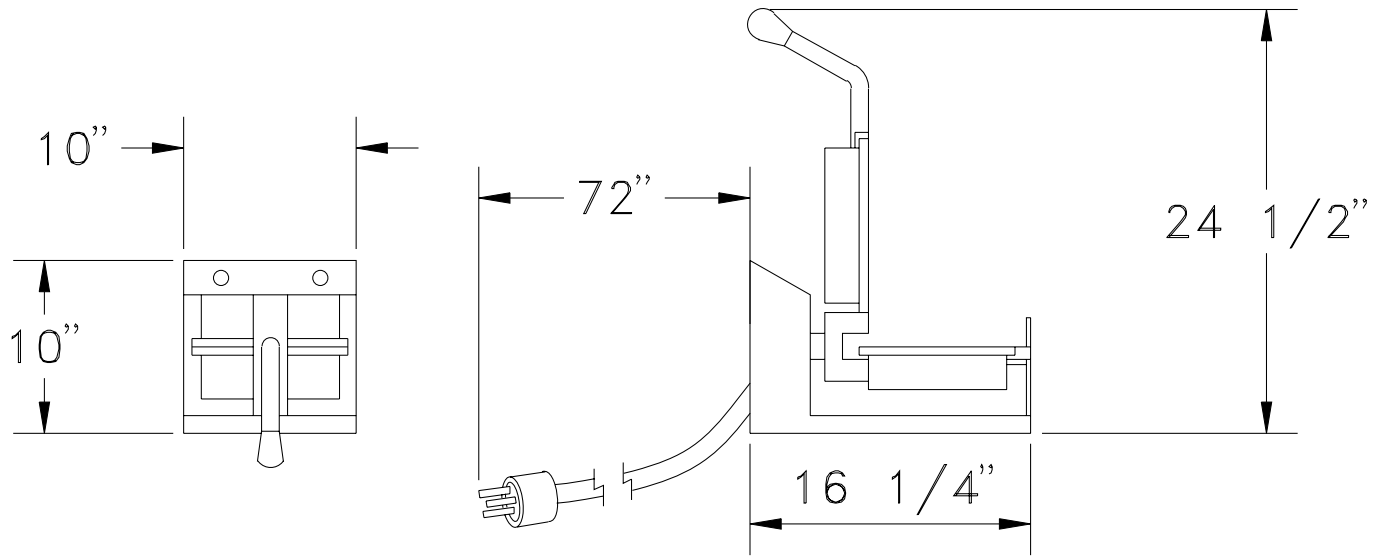


Gold Medal Products Co.

10700 Medallion Drive
Cincinnati, Ohio 45241-4807
E-Mail goldme19@eos.net
Web Site gmpopcorn.com

Phone: (513) 769-7676
(800) 543-0862
Fax: (513) 769-8500
Toll Free Fax (800) 542-1496

Model Number: 5021TE



Width: 10.00
Length: 25.00
Height: 26.50
Weight: 29

Pkg Width:
Pkg Length:
Pkg Height:
Pkg Weight: 32.00
CU/FT: 0.00

Voltage: 120
AMPS: 10.8
Wattage: 1300

Hertz: 60
Receptacle: 5-15R
Plug Type: 5-15P

Model Variations

Gold Medal Products Co.

10700 Medallion Drive
Cincinnati, Ohio 45241-4807
E-Mail goldme19@eos.net
Web Site gmpopcorn.com

Phone: (513) 769-7676
(800) 543-0862
Fax: (513) 769-8500
Toll Free Fax (800) 542-1496