

# Amana® Commercial

Project #: \_\_\_\_\_

Item #: \_\_\_\_\_



## High Speed Oven Amana® Commercial Xpress IQ™ ARX Series

AIA File #:

### Superior cooking results **FAST!**

- Enhanced cavity airflow for perfect browning & crisping
- 3000W impingement enhances toasting and browning.
- Easily adjustable 0-100% fan speed.
- 200° - 520°F (95° - 270°C) temperature range cooks a variety of items
- 1000 or 2000W top antenna feed microwave system heats quickly, reduces cooking time.

### Minimized footprint, maximized cavity design

- Compact footprint fits on 28" (71cm) deep counter.
- Flexibility to install with or without 4" (10cm) leg kit
- Easily accommodates a 12" (30cm) pizza

### Multi-language universal operation, with programming flexibility:

- Touchscreen and programming software supports 25 languages
- Image-based menu selection eliminates language and literary barriers
- Connectivity Standard: WiFi, Ethernet, and Smart USB standard

15 times faster than conventional ovens.

**Xpress® Line | Heavy Volume**  
This category of high speed oven is ideal for...

#### Applications

- Convenience Stores
- Healthcare
- Delis
- Satellite Locations
- Hotel Room Service
- QSR
- Coffee Shops
- Snack Bars
- Bars/Pubs

#### Through put potential (per hour)

Food item	ARX 1000W	ARX 2000W
12" (30cm) frozen pizza	18	21
6" (15cm) toasted sandwiches	60	80
Grilled fresh Salmon	22	28
1 lb. (0.45kg) fresh shrimp	55	55
Toasted Bagel	120	120
Chicken wings	15	24
Quesadillas	65	70

#### Location of Oven(s):

- Kitchen countertop
- Front-of-house countertop
- Equipment stand
- Oven stacking cart (available accessory)

All ACP, Inc. commercial ovens are supported by our Culinary Center. Do not hesitate to contact us for any questions regarding food preparation, menu development and cooking times: [testkitchen@acpsolutions.com](mailto:testkitchen@acpsolutions.com)



### Appropriate for front-of-house display

- Sleek, contemporary styling
- True-Touch™ HD Touchscreen. Fully customizable 7" (178mm) smartphone-like display
- Catalytic converter built-in for ventless operation.
- Quiet operation: fan speeds auto-adjust based on operation mode

### Safe operation and simple cleaning

- Inner door drops down below cooking surface for safe removal of food from cavity
- Smooth door surface allows for direct application of approved cleaners
- Non-stick oven liners preinstalled for easy cleaning
- Clean magnetic air filters in one-step
- Automatic Voltage Sensor adjusts to the power supply.
- Rapid cool down allows for expedited end-of-day cleaning

#### Included Accessories:

- Cook plate (CP10)
- Oven paddle (PA10)
- Non-stick liners (TL10R)

#### Optional Accessories

- Panini grill plate (RGR10)
- 4" (102mm) Leg kit (LG10)
- Compact oven paddle (PA10R)
- Non-stick baskets (TB10, SB10, TB10S, SB10S)
- Back Cover Panel (BC10R)
- Stainless dual-oven stacking cart (SC10R)
- Stainless cart/equipment stands: (CA24, CA30)
- Oven Cleaner and Shield Protectant (CL10 & SH10)

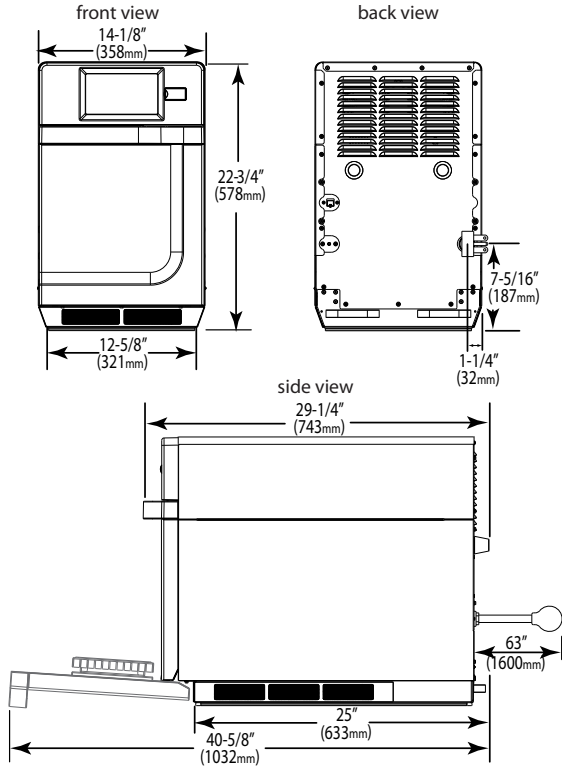
Specification #:



© 2018 ACP, Inc.  
Cedar Rapids, Iowa 52404

# Amana® Commercial Xpress IQ™ ARX Series | High Speed Oven

Specification #:



Drawings available from KCL CADlog - techs@kclcad.com

Features	
Configuration	Countertop
Stackable	Yes, with kit
Display	7" (178) Capacitive Touch, High resolution LCD display
USB Port	Yes
Connectivity	Wifi and Ethernet
Program Menu	Tab & Multi-level menu capability
Menu Capacity	1200+ items
Max. Cooking Time	99:99
Temperature Range	200° - 520°F (95° - 270°C)
Microwave Distribution	Rotating antennas, top
Fan Speed	0-100%
Power Levels	11
Defrost	Yes, microwave only, power level 2
Time Entry Option	Yes
Stage Cooking	Yes, 4
Catalytic Converter	Yes†
Automatic Voltage Sensor	Yes
Air Filter	3 removable, with clean filter reminder
Rack	Removable cooking surface
Door Opening	Pull down, ergonomic handle
Exterior Finish	Stainless steel and Painted Steel
Interior Finish	Stainless steel

## Dimensions

Exterior	H 22 3/4" (578)	W 14 1/8" (358)	D† 29 1/4" (743)
Cavity	H 7" (178)	W 12 1/4" (312)	D 12 1/4" (312)
Usable Cavity Space	0.61 cubic ft. (17.2 liter)		
Door Depth	40 5/8" (1032), drop down door		
Installation Clearances	Top: 2" (51)	Sides: 1/2" (13)	Back: None
Shipping Carton	H 25" (635)	W 18" (457)	D 35 1/2" (902)

## Weight

Model#	Product Weight	Ship weight (approx.)
ARX2	134 lbs. (61 kg)	152 lbs. (69 kg)
ARX1	116 lbs. (53 kg)	134 lbs. (61 kg)

## Service

All products are backed by the ACP, Inc. 24/7 ComServ Support Center



## Warranty

Warranty Certificate for this product can be found on the ACP, Inc. website at [www.acpsolutions.com/warranty](http://www.acpsolutions.com/warranty).



## Safety and Sanitation

This ACP, Inc. product meets and exceeds safety and sanitation standards set for commercial microwave ovens by UL, ETL, NSF, CSA, and FDA.



## Electrical Configuration

Region	Model#/ UPC Code	Power Consumption	Power Output*		Power Source	Plug Configuration	Cord Length	Frequency	Magnetrons
			Microwave	Impingement					
North America single phase	<b>ARX2</b> 728028422832	5950 W, 28.6 A	2000 W*	3000 W	208-240 V, 60 Hz, 30 A, single phase	NEMA 6-30	5 ft. (1.5m)	2450 MHz	2
North America single phase	<b>ARX1</b> 728028422818	3600 W, 18.2 A	1000 W*	3000 W	208-240 V, 60 Hz, 20 A, single phase	NEMA 6-20	5ft (1.5m)	2450 MHz	1

Also available in colors. Contact your local sales representative or [orders@acpsolutions.com](mailto:orders@acpsolutions.com) for details..

Measurements are US Standard. Measurements in ( ) are in millimeters

\* IEC 60705 Tested

† Includes handle

‡ Catalytic convertor filters grease and odors from the air. This product conforms to the Ventless Operation Recommendations set forth by NFPA96 using EPA202 test method

AIA File #:

Part No. 20218001  
Updated 05/03/2018  
Original Instructions

225 49th Ave. Dr. SW Cedar Rapids, IA 52404 U.S.A.



800-233-2366

319-368-8120

Fax: 319-368-8198

© 2018 ACP, Inc.  
Cedar Rapids, Iowa 52404

[www.acpsolutions.com](http://www.acpsolutions.com)