



GLO-RAY® BUFFET WARMERS

Models GRBW -24, -30, -36, -42, -48, -54, -60, -66, -72

Glo-Ray Buffet Warmers are the perfect alternative to "canned heat." Ideal for holding hot food on buffet lines or at temporary serving areas. These Glo-Ray foodwarmers feature a specially designed heated base, sneeze guard(s), soft incandescent lighting, and cord and plug set.

FLEXIBILITY

A metal sheathed element directs heat from above while the thermostatically- controlled base conducts heat below at temperatures of 80° to 200°F (27°-93°C). This combination extends food holding time. Buffet Warmers are available from 25" through 73" (638-1857 mm) wide and have an optional hardcoated base. Accessory front and side enclosures provide a safe serving environment for the products being displayed.

All models are shipped with sneeze guard(s), display lights, and 6' (1829 mm) cord and plug attached. Seven optional *Designer* powdercoated colors coordinate these warmers with the décor while providing a durable, easy-to-clean surface.

QUALITY

The following features assure the finest performance for years to come:

- All models feature a thermostatically-controlled heated base to extend the holding times of most food, and a 6' (1829 mm) cord and plug set.
- The Glo-Ray Warmers have prefocused infrared top heat directing heat to the outer edges of the holding surface where heat loss is the greatest.
- Shatter-resistant incandescent lights enhance product display while safeguarding food products from bulb breakage.
- Sturdy acrylic front and side enclosures or sneeze guards provide a safe environment when serving food.



Model GRBW-30 with accessory food pans



Model GRBW-30 with optional front and side enclosures and accessory sign holder (graphic not included) and pans

METAL SHEATHED HEATING ELEMENTS GUARANTEED AGAINST BURNOUT AND BREAKAGE FOR TWO YEARS, BLANKET ELEMENTS FOR ONE YEAR.



HATCO CORPORATION P.O. Box 340500 Milwaukee, WI 53234-0500 U.S.A.
 (800) 558-0607 • (414) 671-6350 • Fax (800) 543-7521 • Int'l. Fax (414) 671-3976
 www.hatcocorp.com • E-mail: equipsales@hatcocorp.com

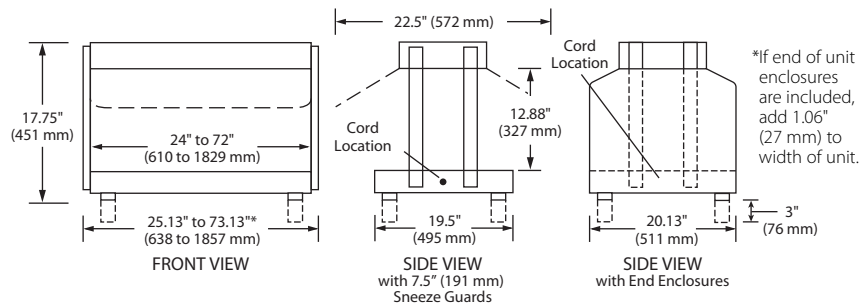
Form No. GRBW Spec Sheet

Printed in U.S.A.
 April 2009



GLO-RAY® BUFFET WARMERS

Models GRBW -24, -30, -36, -42, -48, -54, -60, -66, -72



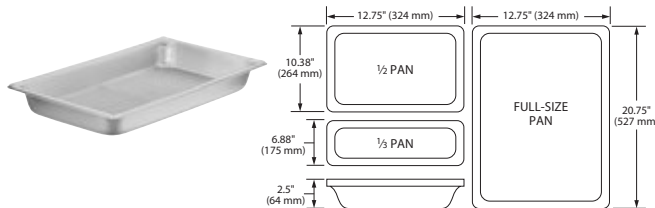
SPECIFICATIONS

Model	Watts	Width [‡]	Shipping Weight
GRBW-24	970	25.13" (638 mm)	48 lbs. (22 kg)
GRBW-30*	1230	31.13" (791 mm)	52 lbs. (24 kg)
GRBW-36	1530	37.13" (943 mm)	58 lbs. (26 kg)
GRBW-42*†	1730	43.13" (1095 mm)	68 lbs. (31 kg)
GRBW-48†	2040	49.13" (1248 mm)	74 lbs. (34 kg)
GRBW-54*†	2290	55.13" (1400 mm)	81 lbs. (37 kg)
GRBW-60†	2600	61.1" (1553 mm)	90 lbs. (41 kg)
GRBW-66*†	2860	67.13" (1705 mm)	96 lbs. (44 kg)
GRBW-72†	3125	73.13" (1857 mm)	107 lbs. (49 kg)

- ◆ If end enclosures are included, add 1.06" (27 mm) to width of unit.
- * Indicates models that accommodate multiple food pans: 30" (762 mm) = 2 pans, 42" (1067 mm) = 3 pans, 54" (1372 mm) = 4 pans, and 66" (1676 mm) = 5 pans.
- † NSF requires units over 36" (914 mm) in width or weighing more than 80 lbs. (36 kg) to be either sealed, or raised on the installation surface with the 4" (102 mm) legs included.

Stainless Steel Food Pans

Stainless steel food holding pans are available in a 2.5" (64 mm) depth. These pans are offered in full-size, half-size, or third-size. Optional wire trivets prevent foods from touching pan bottom.



DIMENSIONS

GRBW: 25.13" – 73.13"W x 22.5"D (including sneeze guards) or 20.13"D (including front enclosure) x 17.75"H* (638 – 1857 x 572 or 511 x 451 mm).
Base Depth: 19.5"D (495 mm).
*Add 3" (76 mm) to height when using 4" (102 mm) legs.

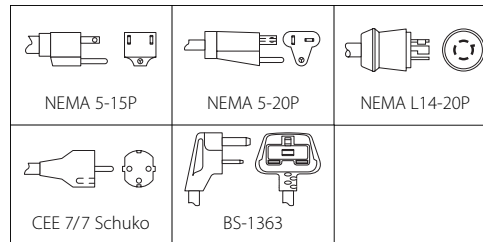
VOLTAGE

GRBW-24 to -42: 120 volts (uses NEMA 5-15P, models 36-42 NEMA 5-20P for Canada).
GRBW-48: 120 volts (uses NEMA 5-20P not available for Canada).
GRBW-54 to -72: 120/208, 120/240 volts only, (uses NEMA L14-20P).
All GRBW models available in 120/208 volts or 120/240 volts, single phase (uses NEMA L14-20P).
Export voltages available.

CORD LOCATION

Base end plate, same side as switch.

PLUG CONFIGURATIONS



OPTIONS (NOT FOR RETROFIT)

- Designer Colors: Warm Red, Black, Gray Granite, White Granite, Navy Blue, Hunter Green, and Antique Copper
- Acrylic Front and Side Enclosures
- Hardcoat Surface
- Infinite Control (GRBW-24 through GRBW-60 models only)
- 9.38" (238 mm) Sneeze Guard
- 14" (356 mm) Sneeze Guard
- Halogen Bulbs in lieu of Standard Display Lights

ACCESSORIES

- 4" (102 mm) Adjustable Legs (Standard on units over 36" (914 mm) in width or weighing more than 80 lbs. (36 kg))
- Pan Rail
- Sign Holder with Acrylic Window (graphic not included)
- Stainless Steel Food Pans
- Wire Trivets

PRODUCT SPECS

Buffet Warmer

The infrared Buffet Warmer shall be a Glo-Ray® Model ... as manufactured by the Hatco Corporation, Milwaukee, WI 53234 U.S.A. With 24/7 service (U.S. and Canada only), the warmer shall be rated at ... watts, ... volts, and be ... inches (millimeters) in overall width. It shall consist of a thermostatically- controlled heated base, breath protector(s), and incandescent display lights.

The infrared heating element shall be tubular metal sheathed and the warmer shall have a cord with plug attached. Accessories shall include pan rail, 4" (102 mm) adjustable legs, sign holder, stainless steel food pans, and wire trivets.

HATCO CORPORATION P.O. Box 340500 Milwaukee, WI 53234-0500 U.S.A. • (800) 558-0607 • (414) 671-6350
Fax (800) 543-7521 • Int'l. Fax (414) 671-3976 • www.hatcocorp.com • E-mail: equipsales@hatcocorp.com