



Register Online!
(see page 2)

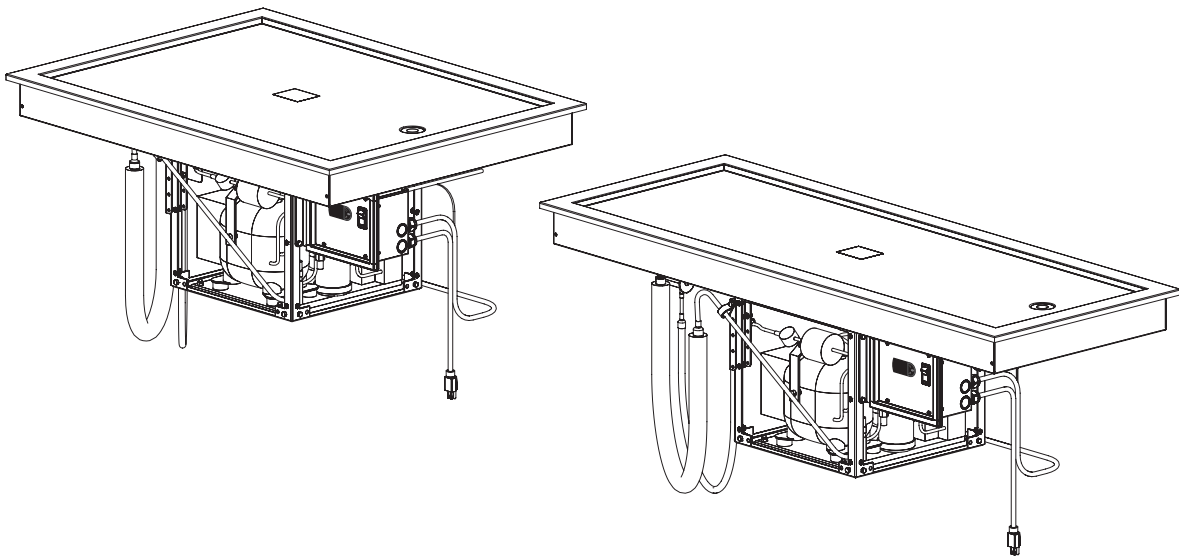
S'inscrire en ligne!
(voir page 15)



Frost Top Drop-In Shelves Plans réfrigérés de libre service

FTB and FTB-S Series Séries FTB et FTB-S

Installation and Operating Manual Manuel d'installation et d'utilisation



⚠ WARNING

Do not operate this equipment unless you have read and understood the contents of this manual! Failure to follow the instructions contained in this manual may result in serious injury or death. This manual contains important safety information concerning the maintenance, use, and operation of this product. If you're unable to understand the contents of this manual, please bring it to the attention of your supervisor. Keep this manual in a safe location for future reference.

English = p 2

⚠ ADVERTENCIA

No opere este equipo al menos que haya leído y comprendido el contenido de este manual! Cualquier falla en el seguimiento de las instrucciones contenidas en este manual puede resultar en un serio lesión o muerte. Este manual contiene importante información sobre seguridad concerniente al mantenimiento, uso y operación de este producto. Si usted no puede entender el contenido de este manual por favor pregunte a su supervisor. Almacenar este manual en una localización segura para la referencia futura.

⚠ AVERTISSEMENT

Ne pas utiliser cet équipement sans avoir lu et compris le contenu de ce manuel ! Le non-respect des instructions contenues dans ce manuel peut entraîner de graves blessures ou la mort. Ce manuel contient des informations importantes concernant l'entretien, l'utilisation et le fonctionnement de ce produit. Si vous ne comprenez pas le contenu de ce manuel, veuillez le signaler à votre supérieur. Conservez ce manuel dans un endroit sûr pour pouvoir vous y référer plus tard.

Français = p 15

Important Owner Information	2	Operation	10
Introduction	2	General.....	10
Important Safety Information	3	Changing the Setpoint Temperature.....	11
Model Description	4	Setting the Auto-Defrost Cycle(s).....	11
Model Designation	4	Changing Fahrenheit and Celsius Setting.....	11
Specifications	5	Maintenance	12
Plug Configuration.....	5	General.....	12
Electrical Rating Chart.....	5	Daily Cleaning.....	12
Refrigerant Information.....	5	Monthly Cleaning.....	12
Dimensions.....	6	Troubleshooting Guide	13
Installation	7	Options and Accessories	14
General.....	7	Limited Warranty	14
Preparing the Unit for Installation.....	7	Authorized Parts Distributors	Back Cover
Preparing the Installation Site.....	8		
Installing the Unit.....	8		
Countertop Cutout Dimensions.....	9		

IMPORTANT OWNER INFORMATION

Record the model number, serial number, voltage, and purchase date of the unit in the spaces below (specification label located on bottom of unit and back of control panel). Please have this information available when calling Hatco for service assistance.

Model No. _____

Serial No. _____

Voltage _____

Date of Purchase _____

Register your unit!

• Completing online warranty registration will prevent delay in obtaining warranty coverage. Access the Hatco website at www.hatcocorp.com, select the *Parts & Service* pull-down menu, and click on "Warranty Registration".

Business Hours: 7:00 AM to 5:00 PM Central Standard Time (CST)
 (Summer Hours: June to September—
 7:00 AM to 5:00 PM CST Monday–Thursday
 7:00 AM to 4:00 PM CST Friday)

Telephone: 800-558-0607; 414-671-6350

e-mail: partsandservice@hatcocorp.com



24 Hour 7 Day Parts and Service Assistance available in the United States and Canada by calling 800-558-0607.

Additional information can be found by visiting our web site at www.hatcocorp.com.

INTRODUCTION

Hatco Frost Top Drop-In Shelves are specially designed to hold quick-turnaround, cold foods such as pre-chilled beverages, snacks, hors d'oeuvres, and side dishes. The insulated, top-mount units are designed for full-size sheet pans and are available in 3/4, one, two, and three pan standard configurations as well as two and three pan slim configurations.

All models are equipped with a condensing unit that can be rotated to accommodate the installation location. For additional installation flexibility, the condensing units on FTB-2, FTB-3, FTB-S2, and FTB-S3 models also can be installed in several positions along the bottom of the frost top enclosure using pre-drilled holes. One year parts and on-site labor warranty is standard.

Hatco Frost Top Drop-In Shelves are a product of extensive research and field testing. The materials used were selected for maximum durability, attractive appearance, and optimum performance. Every unit is inspected and tested thoroughly prior to shipment.

This manual provides the installation, safety, and operating instructions for Frost Top Drop-In Shelves. Hatco recommends all installation, operating, and safety instructions appearing in this manual be read prior to installation or operation of a unit.

Safety information that appears in this manual is identified by the following signal word panels:



WARNING indicates a hazardous situation which, if not avoided, could result in death or serious injury.



CAUTION indicates a hazardous situation which, if not avoided, could result in minor or moderate injury.



NOTICE is used to address practices not related to personal injury.



Read the following important safety information before using this equipment to avoid serious injury or death and to avoid damage to equipment or property.

WARNING**ELECTRIC SHOCK HAZARD:**

- Plug unit into a properly grounded electrical receptacle of the correct voltage, size, and plug configuration. If plug and receptacle do not match, contact a qualified electrician to determine and install proper voltage and size electrical receptacle.
- Turn OFF power switch and disconnect unit from power source before performing any cleaning, adjustments, or maintenance.
- DO NOT submerge or saturate with water. Unit is not waterproof. Do not operate if unit has been submerged or saturated with water.
- This unit is not “jet-proof” construction. Do not use jet-clean spray to clean this unit.
- Discontinue use if power cord is frayed or worn.
- Do not attempt to repair or replace a damaged power cord. Cord must be replaced by Hatco, an Authorized Hatco Service Agent, or a person with similar qualifications.
- This unit must be serviced by qualified personnel only. Service by unqualified personnel may lead to electric shock or burn.
- Use only Genuine Hatco Replacement Parts when service is required. Failure to use Genuine Hatco Replacement Parts will void all warranties and may subject operators of the equipment to hazardous electrical voltage, resulting in electrical shock or burn. Genuine Hatco Replacement Parts are specified to operate safely in the environments in which they are used. Some aftermarket or generic replacement parts do not have the characteristics that will allow them to operate safely in Hatco equipment.

FIRE HAZARD:

- Install unit with a minimum of 2" (51 mm) of space between all sides of the condensing unit and any combustible surfaces.
- Do not use flammable cleaning solutions to clean unit.

EXPLOSION HAZARD: Do not store or use gasoline or other flammable vapors or liquids in the vicinity of this or any other appliance.

This unit must be installed by qualified, trained installers. Installation must conform to all local electrical and plumbing codes. Check with local plumbing and electrical inspectors for proper procedures and codes.

Make sure food product has been chilled to the proper food-safe temperature before placing in unit. Failure to chill food product properly may result in serious health risks. This unit is for holding pre-chilled food product only.

Hatco Corporation is not responsible for actual food product serving temperature. It is the responsibility of the user to ensure that food product is held and served at a safe temperature.

This unit is not intended for use by children or persons with reduced physical, sensory, or mental capabilities. Ensure proper supervision of children and keep them away from the unit.

WARNING

Make sure all operators have been instructed on the safe and proper use of the unit.

Maintain proper cleanliness of the unit. Proper cleanliness and sanitation is critical for food-safe operation. Refer to the MAINTENANCE section for cleaning procedures.

This unit has no “user-serviceable” parts. If service is required on this unit, contact an Authorized Hatco Service Agent or contact the Hatco Service Department at 800-558-0607 or 414-671-6350.

CAUTION

Locate unit at the proper counter height in an area that is convenient for use. Location should be level and strong enough to support weight of unit and contents.

NOTICE

This unit is designed for use in environments where the ambient temperature is between 65°F (18°C) and 86°F (30°C).

When shipped during cold weather months, store unit in proper ambient temperature environment for 10 hours to prevent compressor and/or refrigerant line damage. If unit is turned on and there is excessive noise and vibration, turn off immediately and allow additional warm up time.

Provide louvered or grill-style openings with a minimum size of 12" x 12"/144 square inches (31 x 31 cm/ 961 square cm) in the cabinetry in front of and behind the condensing unit for proper ventilation. Failure to provide adequate air flow through the condensing unit may cause unit failure and will void the unit warranty.

Do not recirculate exhaust air inside cabinet when multiple refrigerated wells are installed together. Intake air should enter from outside of cabinet.

Transport and install unit in upright position only. Failure to do so may result in damage to the refrigeration system.

Use caution and avoid hitting condensing unit hoses/lines when installing unit. Damage caused during installation is not covered under warranty.

Do not locate unit in an area subject to excessive temperatures or grease from grills, fryers, etc. Excessive temperatures could cause damage to the unit.

Clean unit daily to avoid malfunctions and maintain sanitary operation.

Use non-abrasive cleaners and cloths only. Abrasive cleaners and cloths could scratch the finish of the unit, marring its appearance and making it susceptible to soil accumulation.

Do not use steel wool for cleaning. Steel wool will scratch the finish.

Do not use harsh chemicals such as bleach, cleaners containing bleach, or oven cleaners to clean the unit.

This unit is intended for commercial use only—NOT for household use.

All Models

Hatco Frost Top Drop-In Shelves are reliable and versatile. Each unit has an insulated, stainless steel and aluminized steel housing. The bottom of the recessed frost top enclosure is covered with a copper evaporator coil to provide even cooling from edge to edge. A 1" NPT drain in the recessed enclosure is standard on all units except the FTB-3/4 and FTB-1. Frost Top Drop-In Shelves are controlled by a digital temperature controller and a Power I/O (on/off) Switch housed in a single, remote-mountable control panel. The control panel is connected to the condensing unit with a 48" (1219 mm) power cord. A 6' (1829 mm) power cord and plug connected to the control panel provides power to the entire unit. All models are designed to be mounted to the topside of various types of countertop material including stainless steel, wood, Corian, Swanstone, etc... Hatco Frost Top Drop-In Shelves are designed, manufactured, and tested to maintain safe food holding temperatures.

The **ecoization** logo identifies products designed to reflect Hatco's commitment to improving, protecting, and preserving the global environment. Hatco Frost Top Drop-In Shelves qualify for the **ecoization** logo through the use of eco-friendly insulation as well as a highly efficient condensing unit.

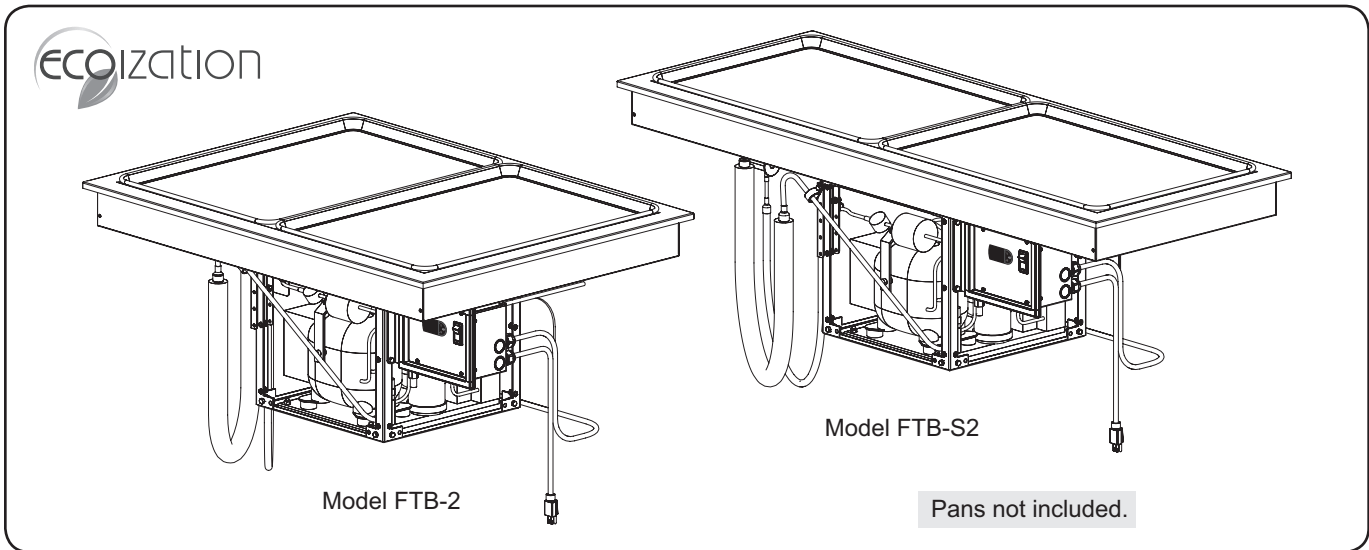
FTB-X Models

FTB-X Models are available in 3/4, one, two, and three pan configurations. These models orient full-size sheet pans in the standard position with the short side facing the customer.

FTB-SX Models

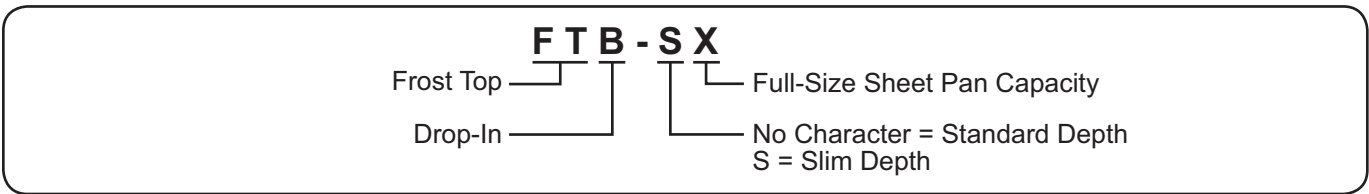
FTB-SX Models are available in two and three pan configurations. These models are "slim" designed and orient full-size sheet pans with the long side facing the customer. The slim design allows easy, reachable access to everything on the frost top.

NOTE: Sheet Pans are available for the Frost Top Drop-In Shelves. Refer to the OPTIONS AND ACCESSORIES section in this manual for details.



Frost Top Drop-In Shelves (Models FTB-2 and FTB-S2 shown)

MODEL DESIGNATION

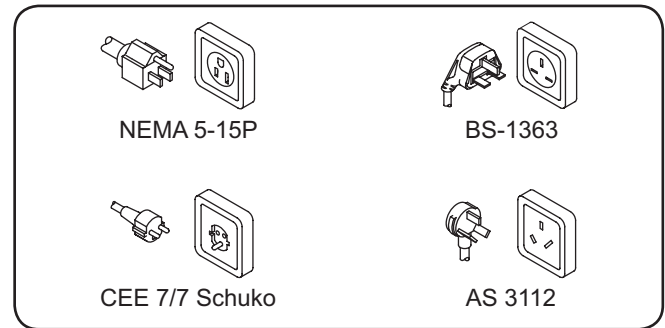


Plug Configuration

Units are supplied from the factory with an electrical cord and plug installed. Plugs are supplied according to the applications.

⚠ WARNING

ELECTRIC SHOCK HAZARD: Plug unit into a properly grounded electrical receptacle of the correct voltage, size, and plug configuration. If plug and receptacle do not match, contact a qualified electrician to determine and install proper voltage and size electrical receptacle.



Plug Configuration

NOTE: Receptacle not supplied by Hatco.

Electrical Rating Chart

Model	Compressor Size	Volts	Watts	Amps	Plug Configuration	Shipping Weight
FTB-3/4	1/4 hp	120	804	6.7	NEMA 5-15P	120 lbs. (54 kg)
FTB-1	1/4 hp	120	804	6.7	NEMA 5-15P	132 lbs. (60 kg)
	1/3 hp	220-230-240	616-667-744	2.8-2.9-3.1	BS-1363, AS 3112, CEE 7/7	
FTB-2	1/4 hp	120	804	6.7	NEMA 5-15P	180 lbs. (82 kg)
	1/3 hp	220-230-240	616-667-744	2.8-2.9-3.1	BS-1363, AS 3112, CEE 7/7	
FTB-3	1/4 hp	120	804	6.7	NEMA 5-15P	213 lbs. (97 kg)
	1/3 hp	220-230-240	616-667-744	2.8-2.9-3.1	BS-1363, AS 3112, CEE 7/7	
FTB-S2	1/4 hp	120	804	6.7	NEMA 5-15P	182 lbs. (83 kg)
	1/3 hp	220-230-240	616-667-744	2.8-2.9-3.1	BS-1363, AS 3112, CEE 7/7	
FTB-S3	1/4 hp	120	804	6.7	NEMA 5-15P	239 lbs. (109 kg)
	1/3 hp	220-230-240	616-667-744	2.8-2.9-3.1	BS-1363, AS 3112, CEE 7/7	

The shaded areas contain electrical information for **International models only**.

NOTE: Shipping weight includes packaging.

NOTE: The specification labels are located on the bottom of the unit and the back of the control panel. See the label for the serial number and verification of unit electrical information.

Design Pressure

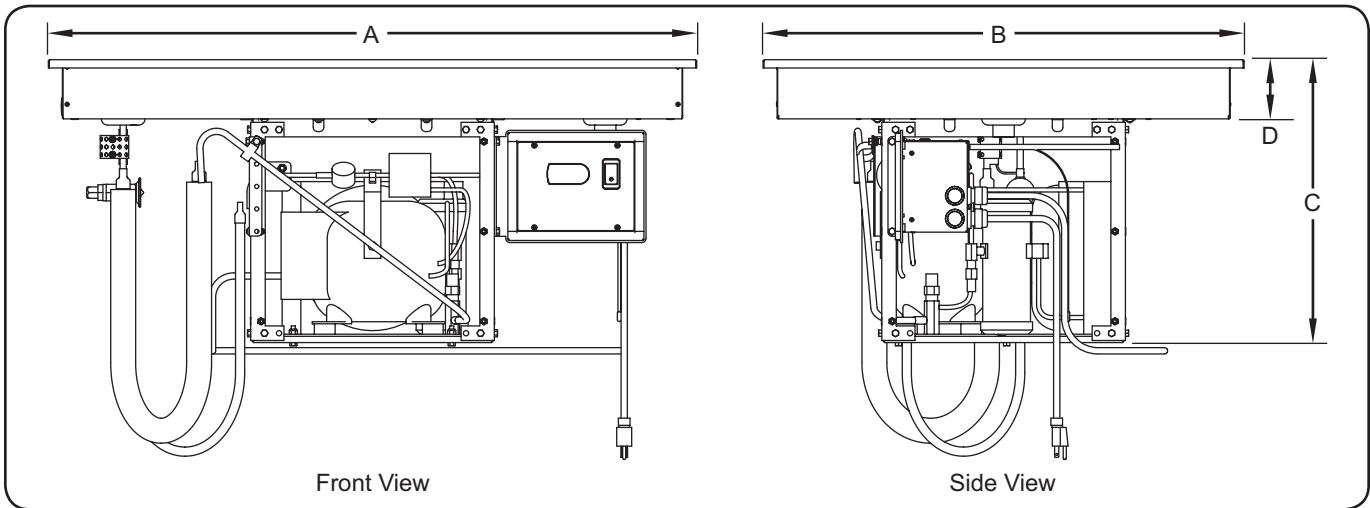
Model	High Side	Low Side
FTB-3/4, FTB-1, FTB-2	373 psig (25.7 bar)	174 psig (11.99 bar)
FTB-3, FTB-S2, FTB-S3	425 psig (29.3 bar)	244 psig (16.82 bar)

Refrigerant Information

All Hatco Frost Top Drop-In Shelves use R404A refrigerant in the condenser unit.

Dimensions — FTB Models

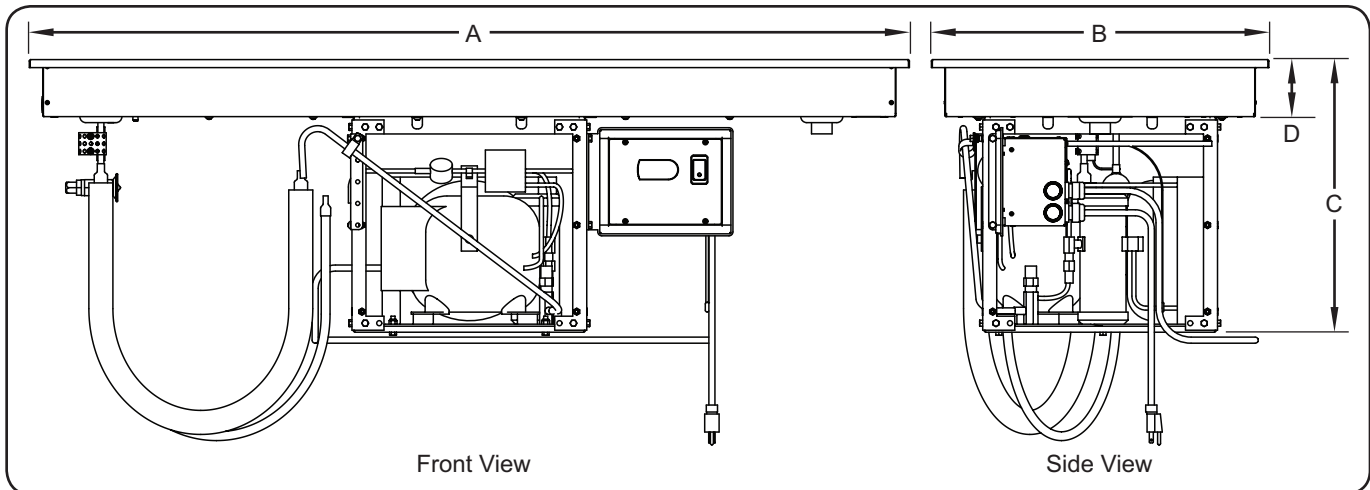
Model	Width (A)	Depth (B)	Overall Height (C)	Enclosure Height (D)
FTB-3/4	21-1/16" (535 mm)	18" (457 mm)	17-1/4" (437 mm)	3-9/16" (90 mm)
FTB-1	21-1/16" (535 mm)	28-15/16" (735 mm)	17-1/4" (437 mm)	3-9/16" (90 mm)
FTB-2	39" (991 mm)	28-15/16" (735 mm)	17-1/4" (437 mm)	3-9/16" (90 mm)
FTB-3	57" (1448 mm)	28-15/16" (735 mm)	17-1/4" (437 mm)	3-9/16" (90 mm)



Dimensions—FTB Model

Dimensions — FTB-S Models

Model	Width (A)	Depth (B)	Overall Height (C)	Enclosure Height (D)
FTB-S2	54-15/16" (1395 mm)	21-1/16" (535 mm)	17-1/4" (437 mm)	3-9/16" (90 mm)
FTB-S3	80-13/16" (2053 mm)	21-1/16" (535 mm)	17-1/4" (437 mm)	3-9/16" (90 mm)



Dimensions—FTB-S Model

General

Frost Top Drop-In Shelves are shipped from the factory completely assembled and ready for use. Use the following information and procedures to prepare the unit and installation site as well as to install the unit.

⚠ WARNING

ELECTRIC SHOCK HAZARD:

- Plug unit into a properly grounded electrical receptacle of the correct voltage, size, and plug configuration. If plug and receptacle do not match, contact a qualified electrician to determine and install proper voltage and size electrical receptacle.
- Unit is not weatherproof. Locate unit indoors.

FIRE HAZARD: Install unit with a minimum of 2" (51 mm) of space between all sides of the condensing unit and any combustible surfaces.

This unit must be installed by qualified, trained installers. Installation must conform to all local electrical and plumbing codes. Check with local plumbing and electrical inspectors for proper procedures and codes.

⚠ CAUTION

Locate unit at the proper counter height in an area that is convenient for use. Location should be level and strong enough to support weight of unit and contents.

NOTICE

Transport and install unit in upright position only. Failure to do so may result in damage to the refrigeration system.

When shipped during cold weather months, store unit in proper ambient temperature environment for 10 hours to prevent compressor and/or refrigerant line damage. If unit is turned on and there is excessive noise and vibration, turn off immediately and allow additional warm up time.

This unit is designed for use in environments where the ambient temperature is between 65°F (18°C) and 86°F (30°C).

Provide louvered or grill-style openings with a minimum size of 12" x 12"/144 square inches (31 x 31 cm/961 square cm) in the cabinetry in front of and behind the condensing unit for proper ventilation. Failure to provide adequate air flow through the condensing unit may cause unit failure and will void the unit warranty.

Do not locate unit in an area subject to excessive temperatures or grease from grills, fryers, etc. Excessive temperatures could cause damage to the unit.

All Frost Top Drop-In Shelves are shipped in a shipping frame for protection and stability. Keep the unit in the shipping frame until the unit and the installation site are completely prepared for the unit to be installed.

1. Remove all external packaging from the unit.
2. Remove tape, protective packaging, and literature from all surfaces of unit.

NOTE: To prevent delay in obtaining warranty coverage, complete online warranty registration. See the IMPORTANT OWNER INFORMATION section for details.

Preparing the Unit for Installation

The orientation of the condensing unit on all FTB models can be adjusted to match the layout of the installation site. It can be rotated 90° or 180° from its factory-installed position. On FTB-3, FTB-S2, and FTB-S3 models, the condensing unit can be installed in several positions along the bottom of the frost top enclosure using pre-drilled holes at 6-1/2" (165 mm) increments. The condensing unit on FTB-2 models can be installed in pre-drilled holes at 3" (76 mm) increments.

Survey the installation site and determine if adjustment to the orientation and/or position of the condensing unit is necessary. Take into account the need for louvered or grill-style openings in the cabinetry to provide proper ventilation for the condensing unit as well as access to the control panel. One of these ventilation openings must be in front of the condensing coils with the other on the opposite side. If adjustment to the orientation and/or position of the condensing unit is necessary, use the following procedure(s).

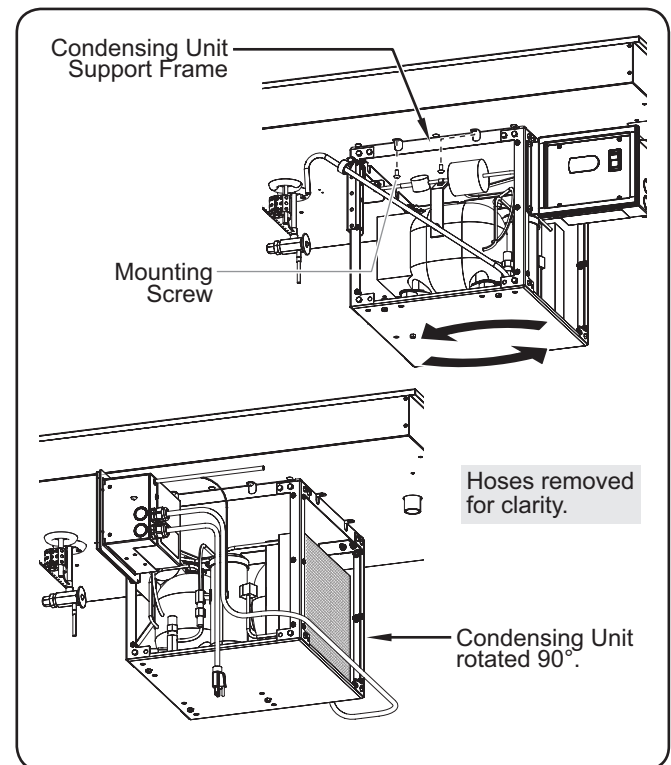
Rotating the Condensing Unit

This procedure can be performed on all FTB models.

1. Place blocks underneath the condensing unit for support during rotation.
2. Remove the 4 mounting screws that secure the condensing unit support frame to the underside of the frost top enclosure.
3. Rotate the condensing unit 90° or 180°, depending on the installation site.

NOTE: Do not rotate the condensing unit in a direction that will put the evaporator lines or any other obstruction in front of the condenser coil.

4. Reattach the condensing unit support frame to the underside of the frost top enclosure using the 4 mounting screws.

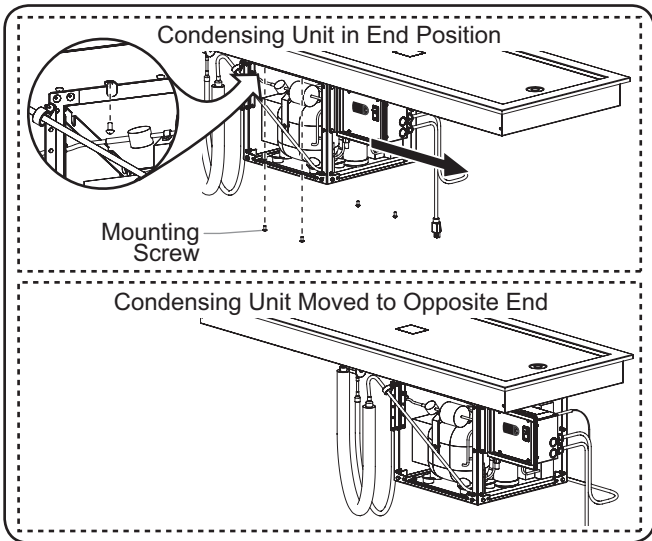


Rotating the Condensing Unit

Moving the Condensing Unit

This procedure can be performed on FTB-2, FTB-3, FTB-S2, and FTB-S3 models only.

1. Remove the four mounting screws that secure the condensing unit support frame to the underside of the frost top enclosure.
2. Move the condensing unit to the desired position. The condensing unit can be installed in several positions along the bottom of the frost top enclosure using pre-drilled holes at 6-1/2" (165 mm) increments (3" [76 mm] increments for FTB-2).
3. Reattach the condensing unit support frame to the frost top enclosure using the four mounting screws.



Moving a Condensing Unit

Preparing the Installation Site

1. Cut the appropriate opening in the countertop for the unit being installed. Refer to "Countertop Cutout Dimensions" in this section.
2. If installing the control panel remotely, cut and drill the appropriate holes in the vertical surface where the control panel will be installed. Refer to the "Installing the Control Panel Remotely" procedure for cutout dimensions.
3. Make structural modifications or add bracing underneath the countertop to ensure the countertop will support the weight of the unit and its contents. Make sure a minimum 2" (51 mm) clearance will be available between the condensing unit and any interior surface.

NOTE: The countertop must be level to ensure proper draining of the frost top enclosure.

4. Cut the required openings in the cabinetry to provide proper ventilation to the condensing unit as well as access to the control panel. Two openings, each with a minimum size of 12" x 12"/144 square inches (31 x 31 cm/ 961 square cm), are required. For proper operation, one of these ventilation openings must be in front of the condenser coils with the other on the opposite side. Louvered or grill-style panels should be installed in the openings to protect the condensing unit.
5. Make sure a grounded electrical receptacle of the correct voltage, size, and plug configuration is within 6' (1829 mm) of the mounting location for the control panel. See the SPECIFICATIONS section for details.

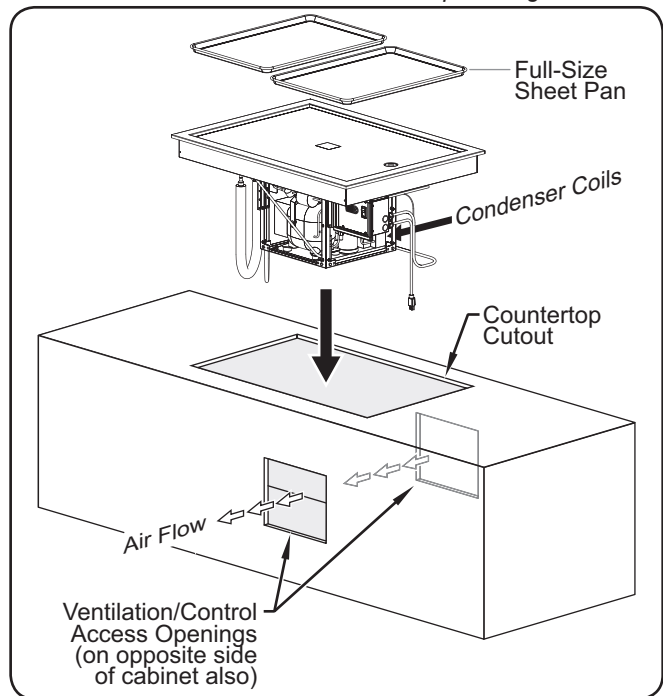
Installing the Unit

NOTICE

Use caution and avoid hitting condensing unit hoses/lines when installing unit. Damage caused during installation is not covered under warranty.

1. Lift the unit out of the shipping frame and carefully lower it into the countertop cutout. This step requires two or more people, depending on the unit.
2. Apply National Sanitation Foundation-approved (NSF-approved) silicone sealant around the edge of the unit to seal it to the countertop.
3. Install the control panel in the desired location.
 - The control panel can be installed on one of three sides of the condensing unit support frame. Do not install the control panel in front of the condenser coils.
 - The control panel can be installed remotely within 48" (1219 mm) of the condensing unit. Refer to the "Installing the Control Panel Remotely" procedure in this section.
4. Connect the 1" NPT drain fitting to a trap and drain line (except FTB-3/4 and -1 models). If a trap and drain line are not available, a catch pan (not supplied) must be used under the drain fitting to contain water draining from the frost top enclosure.

NOTE: Consult a qualified plumber for proper trap and drain installation that conforms to local plumbing codes.



Installing a FTB-2

5. Clean the frost top enclosure thoroughly in preparation for initial operation. Refer to the MAINTENANCE section for proper cleaning procedures.

NOTE: If a catch pan is used underneath the drain fitting, make sure the pan is emptied regularly to prevent overflowing.

6. Plug the unit into a properly grounded electrical receptacle of the correct voltage, size, and plug configuration. See the SPECIFICATIONS section for details.

Installing the Control Panel Remotely

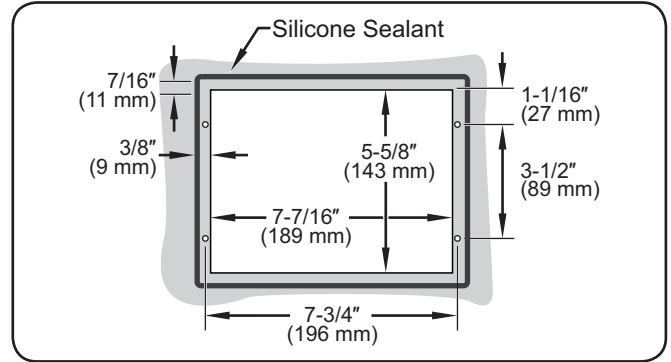
Use the following procedure to install the control panel remotely.



Control panel must be mounted in a vertical surface. Mounting control panel in a horizontal surface may result in the collection of liquids and lead to electric shock.

1. Cut and drill the appropriate holes in the mounting surface. Refer to the "Control Panel Cutout and Screw Hole Dimensions" chart for the cutout dimensions.
2. Remove the four trim cover screws from the control panel and remove the trim cover.
3. Position the control panel into the cutout opening through the backside.
4. Fasten the control panel to the vertical surface using four screws (not supplied).
5. Apply a 1/4" (6 mm) bead of NSF-approved silicone sealant where the trim cover will contact the cabinet surface. Refer to the "Control Panel Cutout and Screw Hole Dimensions" illustration for more information.

6. Reinstall the trim cover on the control panel and secure in position using the four trim cover screws. Make sure to embed the trim cover edge into the silicone.



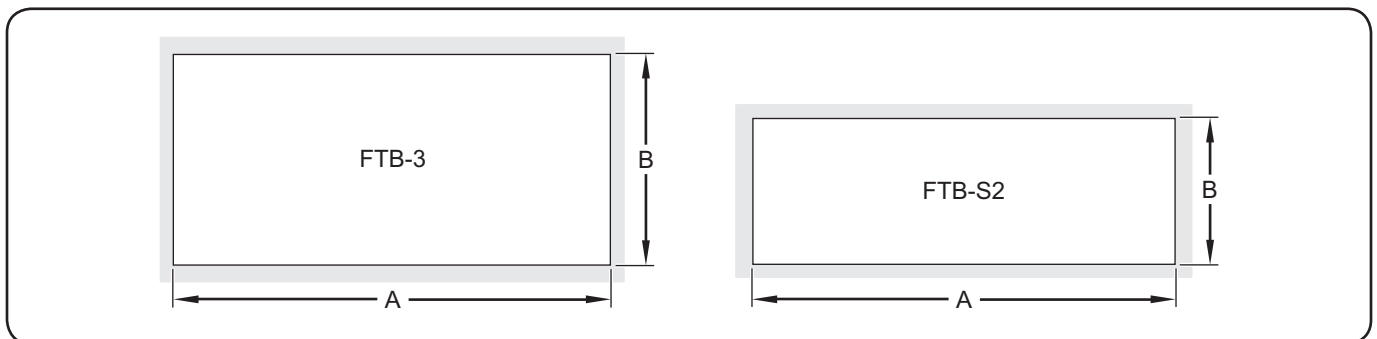
Control Panel Cutout and Screw Hole Dimensions

NOTE: Make sure the width of the control panel cutout does not exceed the above dimension.

Countertop Cutout Dimensions

Model	Width (A)	Depth (B)
FTB-3/4	19-7/16" to 20-1/8" (494 to 511 mm)	16-1/2" to 17-1/16" (419 to 433 mm)
FTB-1	19-7/16" to 20-1/8" (494 to 511 mm)	27-7/16" to 28" (697 to 711 mm)
FTB-2	37-3/8" to 38" (949 to 965 mm)	27-5/16" to 28" (694 to 711 mm)
FTB-3	55-3/8" to 56" (1407 to 1422 mm)	27-5/16" to 28" (694 to 711 mm)

Model	Width (A)	Depth (B)
FTB-S2	53-5/16" to 54" (1354 to 1372 mm)	19-7/16" to 20-1/8" (494 to 511 mm)
FTB-S3	79-3/16" to 79-7/8" (2011 to 2029 mm)	19-7/16" to 20-1/8" (494 to 511 mm)



FTB and FTB-S Series Countertop Cutout Dimensions.

General

Use the following procedures to operate a Frost Top Drop-In Shelf.



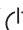
Read all safety messages in the Important Safety Information section before operating this equipment.


Make sure food product has been chilled to the proper food-safe temperature before placing in the unit. Failure to chill food product properly may result in serious health risks. This unit is for holding pre-chilled food product only.



When shipped during cold weather months, store unit in proper ambient temperature environment for 10 hours to prevent compressor and/or refrigerant line damage. If unit is turned on and there is excessive noise and vibration, turn off immediately and allow additional warm up time.


This unit is designed for use in environments where the ambient temperature is between 65°F (18°C) and 86°F (30°C).

NOTE: If the display flashes "OFF" and then the current temperature, press and hold the  key for three seconds. The display will no longer flash "OFF".

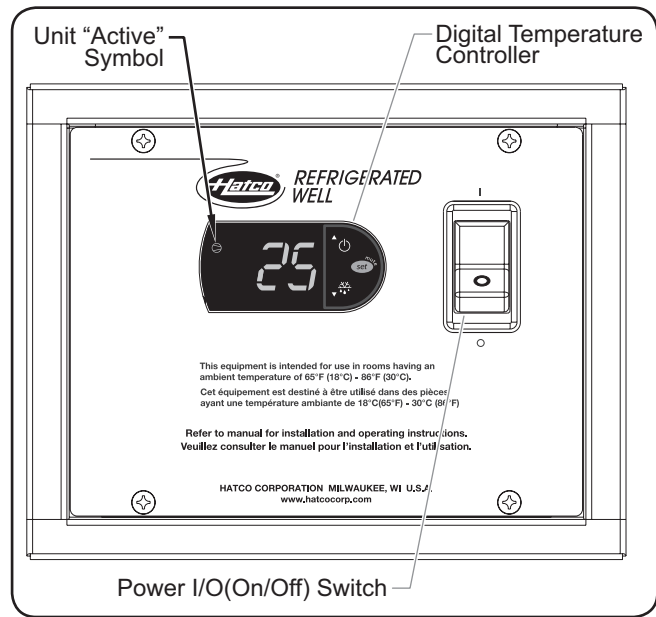
If the display flashes "df" and then the current temperature, press and hold the  key for three seconds. The display will no longer flash "df".

Startup

1. Move the Power I/O (on/off) Switch to the "I" (on) position (located on the control panel).

- The digital temperature controller will energize and "ON" will appear on the display, followed by the current temperature of the unit.
- The  symbol on the display will illuminate to show the condensing unit is active and chilling the frost top.

NOTE: The unit is pre-set at the factory to a setpoint temperature of 25°F (-4°C). If ambient conditions require adjustment to the setpoint temperature, refer to the "Changing the Setpoint Temperature" in this section.



FTB Series Control Panel

2. Allow the unit approximately 30 minutes to reach the setpoint temperature before loading pre-chilled food product.
3. Verify on the display that the unit has reached the proper setpoint temperature, and load the frost top with food pans that contain pre-chilled food product.
 - Always use a food pan. Do not place food directly into the frost top.
 - Stir thick food items frequently to keep food chilled uniformly.



Hatco Corporation is not responsible for the actual food product serving temperature. It is the responsibility of the user to ensure that the food product is held and served at a safe temperature.

Shutdown

1. Move the Power I/O (on/off) Switch to the "O" (off) position. The digital temperature controller and condensing unit will shut off.
2. Perform the "Daily Cleaning" procedure in the MAINTENANCE section of this manual.



Clean unit daily to avoid malfunctions and maintain sanitary operation.

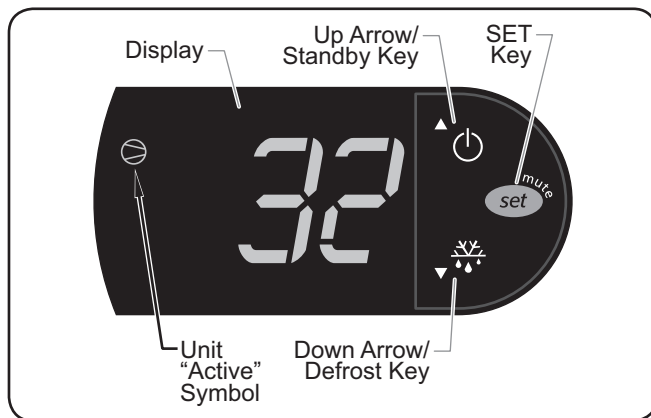
NOTE: If a catch pan is used underneath the drain fitting, make sure the pan is emptied regularly to prevent overflowing.

Changing the Setpoint Temperature

Use the following procedure to change the setpoint temperature on the digital temperature controller.

NOTE: Changes to the setpoint temperature should be made in small increments (1 to 2 degrees). Wait at least two hours after a change in setpoint temperature before checking for the desired result.

1. Press and hold the **set** key for one second until the display flashes the current setpoint temperature.
2. Press the \uparrow or \downarrow key to increase or decrease the setpoint temperature. If no key is pressed within 60 seconds, the display will revert to normal operation and the current temperature of the unit will be shown on the display.
3. Press the **set** key to lock in the new setpoint temperature. The display will revert to show the current temperature of the unit.



Digital Temperature Controller

NOTE: If the display flashes "OFF" and then the current temperature, press and hold the \uparrow key for three seconds. The display will no longer flash "OFF".

If the display flashes "df" and then the current temperature, press and hold the \downarrow key for three seconds. The display will no longer flash "df".

Setting the Auto-Defrost Cycle

Hatco Refrigerated Wells are programmed at the factory with the auto-defrost cycle deactivated. Use the following procedure to activate the auto-defrost cycle if ambient or operational conditions require the unit to defrost occasionally. When the unit is in a defrost cycle, \downarrow will appear on the display.

1. Press and hold the **set** key for three seconds to access programming mode. "PS" (password) will appear on the display.
2. Press the **set** key again. A numeric value will appear on the display.
3. Press the \uparrow or \downarrow key until the number "22" appears on the display, then press the **set** key.
4. Use the \uparrow or \downarrow key to scroll through the programmable parameters until "dl" (defrost interval) appears on the display.
5. Press the **set** key to select "dl". The current number of defrost cycles will be shown on the display. For new units, this value will be "0".

6. Press the \uparrow or \downarrow key within 60 seconds to scroll to the desired number of hours between defrost cycles. See below for examples of how the defrost cycle(s) operate:

"0" = auto-defrost is deactivated

"1" = unit will defrost every hour

"4" = unit will defrost every four hours

"12" = unit will defrost every twelve hours

If no key is pressed within 60 seconds, the display will revert to normal operation and the current temperature of the unit will be shown on the display.

7. Press the **set** key to lock in the new defrost cycle setting.
8. Press and hold the **set** key for three seconds to exit programming mode. The display will revert to show the current temperature of the unit.

Changing Fahrenheit and Celsius Setting

Use the following procedure to change between Fahrenheit and Celsius on the display.

1. Press and hold the **set** key for three seconds to access programming mode. "PS" (password) will appear on the display.
2. Press the **set** key again. A numeric value will appear on the display.
3. Press the \uparrow or \downarrow key until the number "22" appears on the display, then press the **set** key.
4. Use the \uparrow or \downarrow key to scroll through the programmable parameters until F/C appears on the display.
5. Press the **set** key to select F/C .
6. Press the \uparrow or \downarrow key within 60 seconds to scroll to the desired setting. See below for the correct setting:

"0" = Displays Celsius

"1" = Displays Fahrenheit

If no key is pressed within 60 seconds, the display will revert to normal operation and the current temperature of the unit will be shown on the display.

7. Press the **set** key to lock in the new setting.
8. Press and hold the **set** key for three seconds to exit programming mode. The display will revert to show the current temperature of the unit.

General

Hatco Frost Top Drop-In Shelves are designed for maximum durability and performance, with minimum maintenance.



WARNING

ELECTRIC SHOCK HAZARD:

- Turn OFF power switch and disconnect unit from power source before performing any cleaning, adjustments, or maintenance.
- DO NOT submerge or saturate with water. Unit is not waterproof. Do not operate if unit has been submerged or saturated with water.

FIRE HAZARD: Do not use flammable cleaning solutions to clean this unit.

This unit has no “user-serviceable” parts. If service is required on this unit, contact an Authorized Hatco Service Agent or contact the Hatco Service Department at 800-558-0607 or 414-671-6350.

NOTICE

Clean unit daily to avoid malfunctions and maintain sanitary operation.

Do not use steel wool for cleaning. Steel wool will scratch the finish.

Use non-abrasive cleaners and cloths only. Abrasive cleaners and cloths could scratch the finish of the unit, marring its appearance and making it susceptible to soil accumulation.

Do not use harsh chemicals such as bleach, cleaners containing bleach, or oven cleaners to clean this unit.

Daily Cleaning

1. Move the Power I/O (on/off) Switch to the “O” (off) position and allow the unit to defrost.

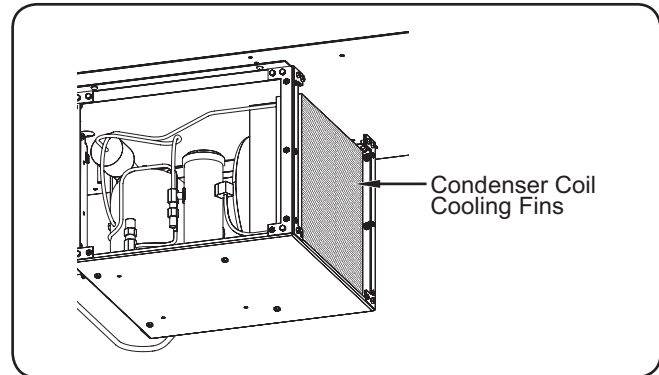
NOTE: If a catch pan is used underneath the drain fitting, make sure the pan is emptied regularly to prevent overflowing.

2. Remove and wash any pans.
3. Clean the frost top using a damp cloth or sponge and mild detergent. Use a plastic scouring pad to remove any hardened food particles or mineral deposits.
4. Wipe down the frost top with a non-abrasive, sanitized cloth to remove the detergent residue. Repeat until all detergent residue is gone and the frost top is clean.
5. Wipe dry the entire unit using a non-abrasive, dry cloth.
6. Wipe down the outside of the louvered or grill-style panels installed in the ventilation openings.

Monthly Cleaning

Perform the following procedure monthly to maintain proper and efficient operation of the Frost Top Drop-In Shelf as well as prevent malfunction.

1. Remove and clean both sides of the louvered or grill-style panels that are installed in the ventilation openings. Dirt and dust build-up in the panels can restrict air flow to the condensing unit and cause over-heating.
2. Clean the condenser coil cooling fins. Dirt, dust, and lint build-up in the cooling fins will prevent proper cooling of the refrigerant in the refrigeration system. This buildup will cause inefficient operation and can lead to unit failure. Use the following methods to clean the condenser coil cooling fins:
 - Vacuum the cooling fins.
 - Brush the cooling fins vertically using a condenser coil brush. **NOTICE: Use caution when brushing the cooling fins, they are delicate and can be bent easily. DO NOT use a wire brush.**



Condenser Coil Cooling Fins



NOTE: Depending on the conditions of the installation site, this cleaning procedure may need to be performed more often or less often than monthly. Monitor the level of dirt, dust, and lint buildup on the panels and cooling fins, and make adjustments to the frequency of cleanings as necessary.

**WARNING**

This unit must be serviced by qualified personnel only. Service by unqualified personnel may lead to electric shock or burn.

**WARNING**

ELECTRIC SHOCK HAZARD: Turn OFF power switch and disconnect unit from power source before performing any cleaning, adjustments, or maintenance.

Symptom	Probable Cause	Corrective Action
Unit too cold.	Setpoint temperature too low.	Adjust the setpoint temperature to a higher setting. Refer to the "Changing the Setpoint Temperature" procedure in the OPERATION section.
	Digital temperature controller not working properly.	Contact Authorized Service Agent or Hatco for assistance.
Unit not cold enough.	Food product not pre-chilled before loading in unit.	Load unit with pre-chilled food product only.
	Setpoint temperature set too high.	Adjust the setpoint temperature to a lower setting. Refer to the "Changing the Setpoint Temperature" procedure in the OPERATION section.
	Condenser coil and/or ventilation panels are plugged.	Clean the condenser coil and ventilation panels. Refer to the "Monthly Cleaning" procedure in the MAINTENANCE section.
	Too much frost built up inside of unit.	Turn off, defrost, and clean the unit. Activate an auto-defrost cycle, if necessary (refer to the "Setting the Auto-Defrost Cycle" procedure in the OPERATION section).
	Digital temperature controller not working properly.	Contact Authorized Service Agent or Hatco for assistance.
	Refrigerant low/leaking or other internal condensing unit malfunction.	Contact Authorized Service Agent or Hatco for assistance.
Unit makes excessive noise and vibration when turned on.	Internal components have not been adequately warmed before operation.	Turn off unit immediately. Unit should be stored in a warm environment of 65°F (18°C) for at least 10 hours.
Controller display flashes "OFF" and unit is not working.	The unit is in Standby mode.	Press and hold the  key for three seconds. The display will no longer flash "OFF".
Controller display flashes "df" and unit is not working.	The unit is in Defrost mode.	Press and hold the  key for three seconds. The display will no longer flash "df".
Unit plugged in, but not working.	Unit turned off.	Turn on unit.
	Circuit breaker tripped.	Reset circuit breaker. If circuit breaker continues to trip, contact Authorized Service Agent or Hatco for assistance.
	Digital temperature controller not working properly.	Contact Authorized Service Agent or Hatco for assistance.
	Condensing unit overheated.	Contact Authorized Service Agent or Hatco for assistance.
	Internal condensing unit malfunction.	Contact Authorized Service Agent or Hatco for assistance.

Troubleshooting Questions?

If you continue to have problems resolving an issue, please contact the nearest Authorized Hatco Service Agency or Hatco for assistance. To locate the nearest Service Agency, log onto the Hatco website at www.hatcocorp.com and click on *Find Service Agent*, or contact the **Hatco Parts and Service Team** at:

Telephone: 800-558-0607 or 414-671-6350

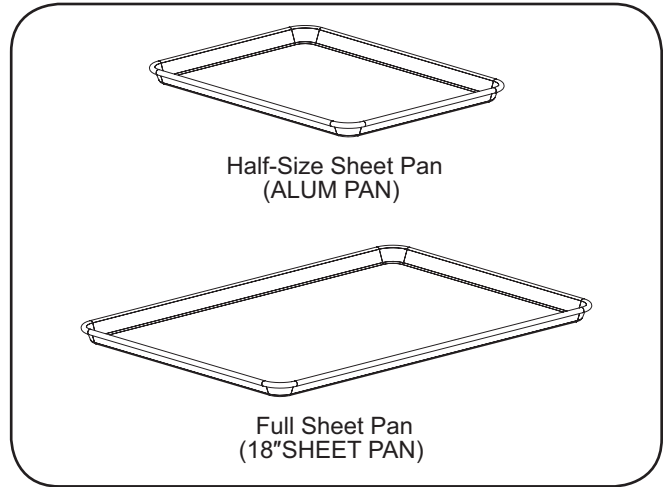
e-mail: partsandservice@hatcocorp.com

Food Pans

Accessory food pans are available in various sizes.

ALUM PANHalf-size aluminum sheet pan —
18"W x 13"D (457 x 330 mm)

18"SHEET PAN Full size aluminum sheet pan —
18"W x 26"D (457 x 660 mm)



Food Pans

LIMITED WARRANTY

1. PRODUCT WARRANTY

Hatco warrants the products that it manufactures (the "Products") to be free from defects in materials and workmanship, under normal use and service, for a period of one (1) year from the date of purchase when installed and maintained in accordance with Hatco's written instructions or 18 months from the date of shipment from Hatco. Buyer must establish the Product's purchase date by registering the Product with Hatco or by other means satisfactory to Hatco in its sole discretion.

Hatco warrants the following Product components to be free from defects in materials and workmanship from the date of purchase (subject to the foregoing conditions) for the period(s) of time and on the conditions listed below:

- a) **One (1) Year Parts and Labor PLUS One (1) Additional Year Parts-Only Warranty:**
 Conveyor Toaster Elements (metal sheathed)
 Drawer Warmer Elements (metal sheathed)
 Drawer Warmer Drawer Rollers and Slides
 Strip Heater Elements (metal sheathed)
 Display Warmer Elements (metal sheathed air heating)
 Holding Cabinet Elements (metal sheathed air heating)
 Heated Well Elements—HW and HWB Series (metal sheathed)
- b) **Two (2) Year Parts and Labor Warranty:**
 Induction Ranges
- c) **One (1) Year Parts and Labor PLUS Four (4) Years Parts-Only Warranty:**
 3CS and FR Tanks
- d) **One (1) Year Parts and Labor PLUS Nine (9) Years Parts-Only Warranty on:**
 Electric Booster Heater Tanks
 Gas Booster Heater Tanks
- e) **Ninety (90) Day Parts-Only Warranty:**
 Replacement Parts

THE FOREGOING WARRANTIES ARE EXCLUSIVE AND IN LIEU OF ANY OTHER WARRANTY, EXPRESSED OR IMPLIED, INCLUDING BUT NOT LIMITED TO ANY IMPLIED WARRANTY OF MERCHANTABILITY OR FITNESS FOR A PARTICULAR PURPOSE OR PATENT OR OTHER INTELLECTUAL PROPERTY RIGHT INFRINGEMENT. Without limiting the generality of the foregoing, SUCH WARRANTIES DO NOT COVER: Coated incandescent light bulbs, fluorescent lights, heat lamp bulbs, coated halogen light bulbs, halogen heat lamp bulbs, xenon light bulbs, LED light tubes, glass components, and fuses; Product failure in booster tank, fin tube heat exchanger, or other water heating equipment caused by liming, sediment buildup, chemical attack, or freezing; or Product misuse, tampering or misapplication, improper installation, or application of improper voltage.

2. LIMITATION OF REMEDIES AND DAMAGES

Hatco's liability and Buyer's exclusive remedy hereunder will be limited solely, at Hatco's option, to repair or replacement using new or refurbished parts or Product by Hatco or a Hatco-authorized service agency (other than where Buyer is located outside of the United States, Canada, United Kingdom, or Australia, in which case Hatco's liability and Buyer's exclusive remedy hereunder will be limited solely to replacement of part under warranty) with respect to any claim made within the applicable warranty period referred to above. Hatco reserves the right to accept or reject any such claim in whole or in part. In the context of this Limited Warranty, "refurbished" means a part or Product that has been returned to its original specifications by Hatco or a Hatco-authorized service agency. Hatco will not accept the return of any Product without prior written approval from Hatco, and all such approved returns shall be made at Buyer's sole expense. HATCO WILL NOT BE LIABLE, UNDER ANY CIRCUMSTANCES, FOR CONSEQUENTIAL OR INCIDENTAL DAMAGES, INCLUDING BUT NOT LIMITED TO LABOR COSTS OR LOST PROFITS RESULTING FROM THE USE OF OR INABILITY TO USE THE PRODUCTS OR FROM THE PRODUCTS BEING INCORPORATED IN OR BECOMING A COMPONENT OF ANY OTHER PRODUCT OR GOODS.

Informations Importantes pour le Propriétaire.....	15	Mode d'emploi	23
Introduction.....	15	Généralités	23
Consignes de Sécurité Importantes	16	Modifier la température nominale.....	24
Description du Modèle.....	17	Programmer le cycle de dégivrage automatique.....	24
Désignation du Modèle	18	Alternance entre l'affichage Fahrenheit et Celsius.....	24
Caractéristiques Techniques	18	Maintenance.....	25
Configuration des Fiches.....	18	Généralités	25
Tableau des valeurs nominales électriques	18	Nettoyage quotidien.....	25
Information sur le fluide frigorigène	18	Nettoyage mensuel.....	25
Dimensions.....	19	Guide de Dépannage.....	26
Installation.....	20	Options et Accessoires	27
Généralités	20	Garantie Limitée	27
Préparer l'appareil pour installation.....	20	Autorisés Distributeurs de Pièces.....	Couverture Arrière
Préparer le lieu d'installation	21		
Installer l'appareil.....	21		
Dimensions de découpe du comptoir.....	22		

INFORMATIONS IMPORTANTES POUR LE PROPRIÉTAIRE

Noter le numéro de modèle, le numéro de série, le voltage et la date d'achat de votre appareil ci-dessous (l'étiquette comportant les caractéristiques techniques se situe sous l'appareil et à l'arrière du panneau de contrôle). Veuillez avoir cette information à portée de la main si vous appelez Hatco pour assistance.

Modèle No. _____

Numéro de série _____

Voltage _____

Date d'achat _____

Enregistrez votre appareil!

Remplissez la garantie en ligne pour éviter les retards pour faire jouer la garantie. Accédez au site Web Hatco **www.hatcocorp.com**, sélectionnez le menu déroulant Parts & Service, puis cliquez sur Warranty Registration.

Horaires

ouvrables: 7h00 à 17h00
Heure du Centre des États-Unis (CST)
(Horaires d'été : juin à septembre—
7h00 à 17h00 CST du lundi au jeudi
7h00 à 16h00 CST le vendredi)

Téléphone: 800-558-0607; 414-671-6350

Courriel: partsandservice@hatcocorp.com



Service d'assistance et de pièces de rechange disponible 7j/7, 24h/24 aux États-Unis et au Canada en composant le 800-558-0607.

Des renseignements supplémentaires sont disponibles sur notre site Web à **www.hatcocorp.com**.

INTRODUCTION

Les plans réfrigérés de libre service Hatco sont spécialement conçus pour les aliments froids de libre service rapide, tels que des boissons froides, des collations, des hors d'œuvres et des plats d'accompagnement. Les appareils s'encastrent sur le dessus d'un meuble, sont isolés et sont conçus pour accueillir des grands plateaux fins. En configuration standard, ils peuvent accueillir 3/4, un, deux ou trois plateaux, et deux ou trois en configuration allongée.

Tous les modèles sont équipés d'un groupe compresseur-condenseur qui peut pivoter pour s'adapter au lieu d'installation. Pour plus de flexibilité lors de l'installation, les groupes compresseur-condenseur des modèles FTB-2, FTB-3, FTB-S2 et FTB-S3 peuvent aussi être installés dans différentes positions contre la partie inférieure de la cuve du plan réfrigéré à l'aide des orifices pré-perçés. La garantie d'un an pour les pièces ainsi que pour la main d'œuvre sur place est standard.

Les plans réfrigérés de libre service Hatco sont le produit d'une recherche avancée et d'essais pratiques. Les matériaux utilisés ont été sélectionnés pour une durabilité maximale, une apparence attractive et des performances optimales. Chaque appareil est soigneusement inspecté et testé avant expédition.

Ce manuel fournit les instructions d'installation, de sécurité et d'utilisation pour les plans réfrigérés de libre service Hatco. Hatco vous recommande de lire l'ensemble des instructions d'installation, de sécurité et de fonctionnement contenues dans ce manuel avant d'installer et d'utiliser l'appareil.

Les consignes de sécurité qui apparaissent dans ce manuel sont identifiées par les mots indicateurs suivants :

⚠ AVERTISSEMENT

AVERTISSEMENT indique une situation dangereuse qui, si elle n'est pas évitée, peut provoquer la mort ou des blessures graves.

⚠ ATTENTION

ATTENTION indique une situation dangereuse qui, si elle n'est pas évitée, peut provoquer des blessures légères ou moyennes.

AVIS

AVIS est utilisé pour des questions sans rapport avec des blessures corporelles.



Lisez les consignes de sécurité importantes suivantes avant d'utiliser cet équipement pour éviter toute blessure grave ou la mort et pour éviter d'endommager l'équipement ou la propriété.

⚠ AVERTISSEMENT

DANGER DE DÉCHARGE ÉLECTRIQUE :

- Brancher l'appareil sur une prise de courant avec terre de tension, de format et de configuration des broches corrects. Si la fiche et la prise ne se correspondent pas, s'adresser à un électricien qualifié pour déterminer et installer une prise de courant de format et de tension corrects.
- Mettez l'unité hors tension depuis l'interrupteur et débranchez le cordon d'alimentation avant d'effectuer tout nettoyage, tout réglage ou tout entretien.
- L'unité n'est pas étanche. Il doit être installé en intérieur.
- **NE PAS immerger l'appareil ni le saturer d'eau.** L'appareil n'est pas étanche à l'eau. Ne pas le faire fonctionner s'il a été immergé ou saturé d'eau.
- Cet appareil n'est pas étanche aux jets. Ne pas utiliser de jet sous pression pour nettoyer l'appareil.
- Ne pas utiliser l'appareil si le cordon est endommagé ou usé.
- Ne pas tenter de réparer ni de changer un cordon électrique endommagé. Ce cordon doit être changé par Hatco, par un réparateur Hatco agréé ou par une personne de qualifications comparables.
- La réparation de cet appareil doit être confiée exclusivement à du personnel qualifié. Les réparations par des personnes non qualifiées peuvent provoquer des décharges électriques et des brûlures.
- Pour les réparations, utiliser exclusivement des pièces de rechange Hatco d'origine. Utilisez des pièces détachées Hatco authentiques sous peine d'annuler toutes les garanties et d'exposer l'utilisateur à des tensions électriques dangereuses pouvant entraîner une électrocution ou des brûlures. Les pièces de rechange Hatco d'origine sont conçues pour fonctionner sans danger dans les environnements dans lesquels elles sont utilisées. Certaines pièces de rechange génériques ou de second marché ne présentent pas les caractéristiques leur permettant de fonctionner sans danger dans la matériel Hatco.

DANGER D'INCENDIE :

- Lors de l'installation, un espace minimum de 51 mm (2") doit être maintenu entre les parois du groupe compresseur-condenseur et toute surface combustible.
- N'utilisez pas des solutions nettoyantes inflammables pour nettoyer cet appareil.

RISQUE D'EXPLOSION: Ne conservez pas ou n'utilisez pas d'essence ou d'autres vapeurs ou liquides inflammables à proximité de cet appareil ou de tout autre appareil.

L'élément doit être installé par des installateurs formés et qualifiés. L'installation doit être conforme à toutes les normes électriques et de plomberie locales. Vérifiez les procédures et les normes à suivre auprès de vos inspecteurs locaux en plomberie et en électricité.

⚠ AVERTISSEMENT

Assurez-vous que les aliments ont été correctement réfrigérés à une température appropriée avant de les placer dans l'appareil. Maintenir des aliments à une température inappropriée peut entraîner des risques graves pour la santé. Cet appareil est uniquement destiné à maintenir frais des aliments préalablement réfrigérés.

Hatco Corporation n'est pas responsable de la température réelle à laquelle les aliments sont servis. Il est de la responsabilité de l'utilisateur de s'assurer que la nourriture est conservée et servie à une température sans danger.

Assurez-vous que tous les opérateurs ont été formés à l'utilisation sûre et correcte de l'appareil.

Cet appareil ne doit pas être utilisé par des enfants ou des personnes avec des capacités physiques, sensorielles ou mentales diminuées. Assurez-vous que les enfants sont bien surveillés et tenez-les à l'écart de l'appareil.

L'appareil doit être maintenu dans un état de propreté correct. Des bonnes conditions de propreté et d'hygiène sont essentielles à une manipulation saine des aliments. Reportez-vous à la section MAINTENANCE pour consulter les procédures de nettoyage.

Cet appareil ne contient aucune pièce réparable par l'utilisateur. Si cet appareil doit être réparé, contacter un réparateur Hatco agréé ou le Service après-vente Hatco au 800-558-0607 ou 414-671-6350.

⚠ ATTENTION

Placez l'appareil à une hauteur de comptoir adaptée et sur un emplacement pratique pour son utilisation. L'emplacement choisi doit être de niveau et solide afin de supporter le poids de l'appareil et de son contenu.

AVIS

L'appareil est conçu pour être utilisé dans des environnements où la température ambiante se situe entre 18°C (65°F) et 30°C (86°F).

En cas d'expédition en hiver, stocker l'appareil dans un environnement à température ambiante adéquate pendant 10 heures afin d'éviter d'endommager le compresseur et/ou le circuit frigorifique. Si l'appareil est allumé et que vous constatez une vibration et des bruits excessifs, éteignez-le immédiatement et laissez-le chauffer un peu plus longtemps.

Prévoyez des ouvertures à grille ou à persiennes de 31 x 31 cm soit 961 cm² (12" x 12"/144 square inches) dans le meuble devant et derrière le groupe compresseur-condenseur pour une bonne ventilation. Une mauvaise circulation de l'air dans le groupe compresseur-condenseur pourrait entraîner une panne de l'appareil et aurait pour effet d'annuler la garantie.

Lorsque plusieurs cuves réfrigérées sont installées simultanément, évitez que l'air sortant ne recircule dans le meuble. L'arrivée d'air doit être située à l'extérieur du meuble.

AVIS

Maintenez l'appareil dans la position verticale lors du transport et de l'installation. Le non-respect de cette mesure pourrait endommager le système de réfrigération.

Lors de l'installation, manipulez l'appareil avec précaution et évitez au maximum de heurter les tuyaux et les conduites. La garantie ne couvre pas les éléments endommagés pendant l'installation.

Ne pas utiliser l'appareil à un endroit exposé à des températures excessives ou de la graisse de grills, friteuses, etc. Les températures excessives risquent d'abîmer l'appareil.

Nettoyez l'unité quotidiennement pour éviter les dysfonctionnements et assurer un fonctionnement sain.

AVIS

Utilisez uniquement des nettoyants non abrasifs et des chiffons doux. Les chiffons et nettoyant abrasifs pourraient rayer la finition de l'unité, altérant son apparence et la rendant vulnérable à l'accumulation de saleté.

N'utilisez pas de paille de fer pour le nettoyage. La paille de fer rayer les finitions.

L'utilisation de produits chimiques agressifs tels que l'eau de javel, les produits nettoyants contenant de la javel, ou les produits de nettoyage pour les fours sont proscrits pour nettoyer l'appareil.

Cette unité est réservée à un usage professionnel uniquement — elle n'est PAS dédiée à un usage personnel.

DESCRIPTION DU MODÈLE

Tous les Modèles

Les plans réfrigérés de libre service Hatco sont fiables et polyvalents. Chaque appareil possède une structure isolée en acier aluminisé et en acier inoxydable. La partie inférieure de la cuve encastrée du plan réfrigéré est recouverte d'un serpentin d'évaporateur en cuivre pour assurer un refroidissement uniforme d'un bout à l'autre. Le drain NPT de 25 mm (1") dans la cuve encastrée est le même pour tous les appareils exceptés les FTB-3/4 et FTB-1. Les plans réfrigérés de libre service sont contrôlés par un régulateur de température numérique et un interrupteur I/O (marche / arrêt), qui se trouvent sur le même panneau de contrôle à distance. Le panneau de contrôle est connecté au groupe compresseur-condenseur par un assemblage de conduits flexibles de 1219 mm (48"). Un cordon et une fiche d'alimentation de 1829 mm (6') branchés au panneau de contrôle permettent d'alimenter tout l'appareil. Tous les modèles sont conçus pour être installés sur le dessus des différents types de revêtements de comptoir y compris l'acier inoxydable, le bois, le revêtement massif, le granit synthétique, etc. Les plans réfrigérés de libre service Hatco sont conçus, fabriqués, et testés pour maintenir les aliments à des températures correctes.

Le logo Ecoization désigne les produits conçus pour refléter l'engagement d'Hatco à améliorer, protéger et préserver l'environnement. Les plans réfrigérés de libre service Hatco remplissent les conditions pour l'obtention de ce logo, notamment grâce à leur isolation respectueuse de l'environnement ainsi qu'à leur groupe compresseur-condenseur économique.

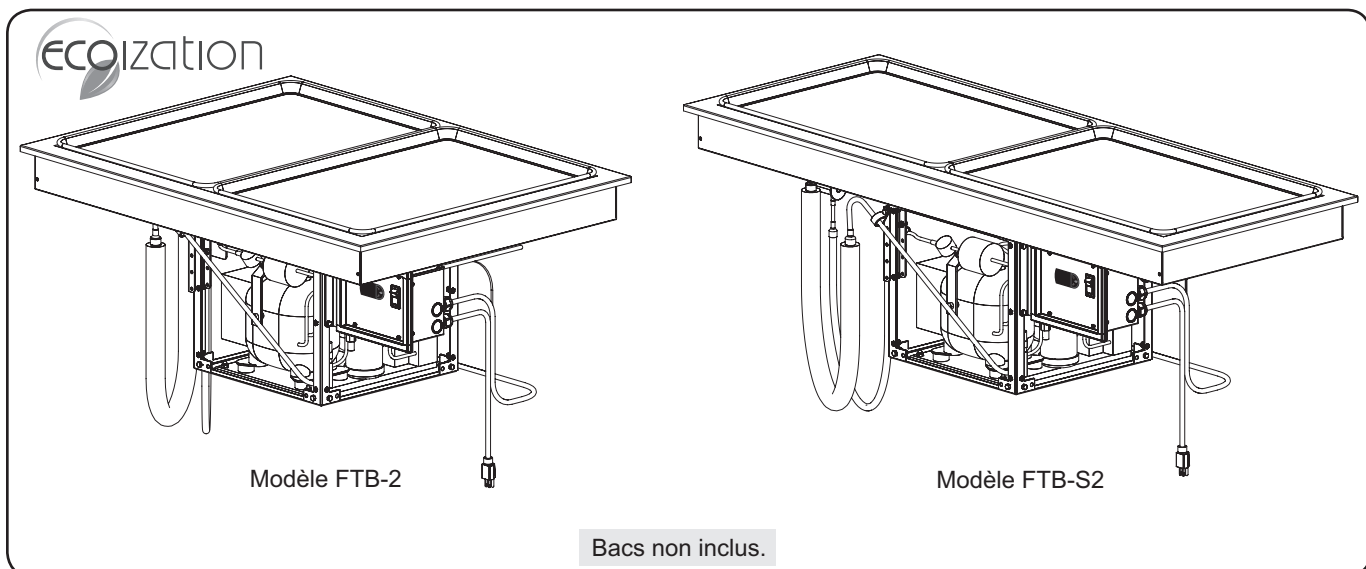
Modèles FTB-X

Les modèles FTB-X sont disponibles dans des configurations pour 3/4, un, deux ou trois plateaux. Sur ces modèles, en position standard, les plateaux sont placés en largeur et face aux clients.

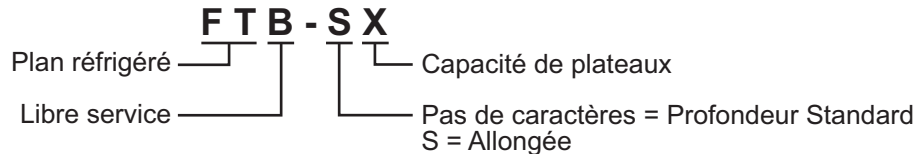
Modèles FTB-SX

Les modèles FTB-SX sont disponibles dans les configurations pour deux ou trois plateaux. Ces modèles ont une conception « allongée », les plateaux sont placés en longueur et face aux clients. Cette conception allongée permet un accès facile à tout ce qui se trouve sur les plateaux.

NOTA: Les plateaux pour plans réfrigérés de libre service sont à vendre. Consultez la section OPTIONS ET ACCESSOIRES de ce manuel pour plus de détails.



Plans réfrigérés de libre service (modèles FTB-2 et FTB-S2 illustrés)



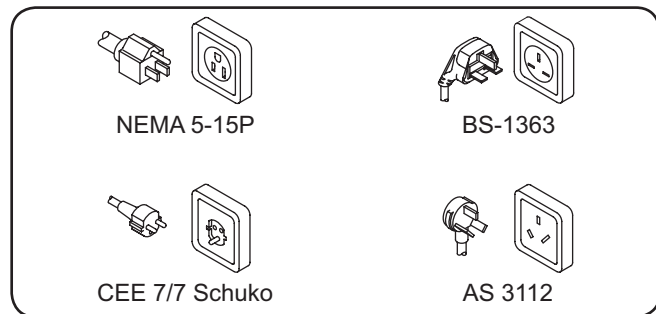
CARACTÉRISTIQUES TECHNIQUES

Configuration des fiches

Les appareils sont livrés avec un cordon électrique avec fiche. Différentes fiches sont fournies selon les applications.



DANGER DE DÉCHARGE ÉLECTRIQUE : Brancher l'appareil sur une prise de courant avec terre de tension, de format et de configuration des broches corrects. Si la fiche et la prise ne se correspondent pas, s'adresser à un électricien qualifié pour déterminer et installer une prise de courant de format et de tension corrects.



Configuration des fiches

NOTA: Prise non fournie par Hatco.

Tableau des valeurs nominales électriques

Modèle	Taille du compresseur	Tension	Intensité	Amps	Configuration de Fiches	Poids d'embarquement
FTB-3/4	1/4 hp	120	804	6.7	NEMA 5-15P	54 kg (120 lbs.)
FTB-1	1/4 hp	120	804	6.7	NEMA 5-15P	60 kg (132 lbs.)
	1/3 hp	220-230-240	616-667-744	2.8-2.9-3.1	BS-1363, AS 3112, CEE 7/7	
FTB-2	1/4 hp	120	804	6.7	NEMA 5-15P	82 kg (180 lbs.)
	1/3 hp	220-230-240	616-667-744	2.8-2.9-3.1	BS-1363, AS 3112, CEE 7/7	
FTB-3	1/4 hp	120	804	6.7	NEMA 5-15P	97 kg (213 lbs.)
	1/3 hp	220-230-240	616-667-744	2.8-2.9-3.1	BS-1363, AS 3112, CEE 7/7	
FTB-S2	1/4 hp	120	804	6.7	NEMA 5-15P	83 kg (182 lbs.)
	1/3 hp	220-230-240	616-667-744	2.8-2.9-3.1	BS-1363, AS 3112, CEE 7/7	
FTB-S3	1/4 hp	120	804	6.7	NEMA 5-15P	109 kg (239 lbs.)
	1/3 hp	220-230-240	616-667-744	2.8-2.9-3.1	BS-1363, AS 3112, CEE 7/7	

Les zones grisées contiennent des informations électriques pour les modèles internationaux uniquement.

NOTA: Le poids d'embarquement comprend l'emballage.

NOTA: Les étiquettes comportant les caractéristiques techniques se situent sous l'appareil et derrière le panneau de contrôle. Consultez l'étiquette pour connaître le numéro de série et vérifier les caractéristiques électriques de l'appareil.

Information sur le fluide frigorigène

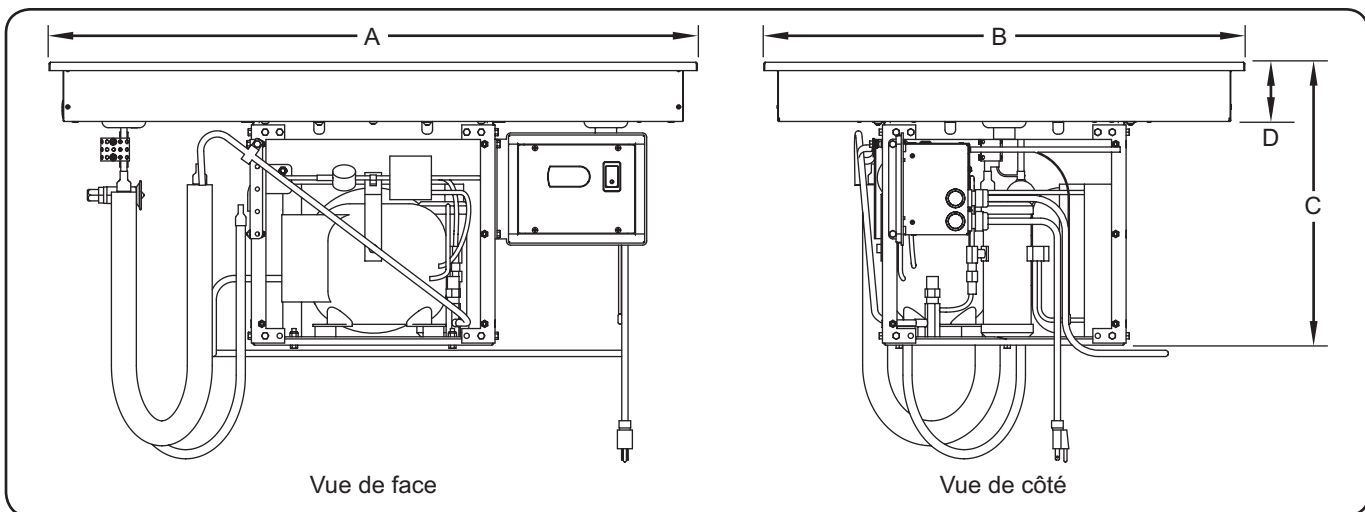
Tous les plans réfrigérés de libre service Hatco utilisent le fluide frigorigène R404A pour les groupes compresseur-condenseur.

Conception pression

Modèle	Côté haut	Côté bas
FTB-3/4, FTB-1, FTB-2	373 psig (25.7 bar)	174 psig (11.99 bar)
FTB-3, FTB-S2, FTB-S3	425 psig (29.3 bar)	244 psig (16.82 bar)

FTB Dimensions

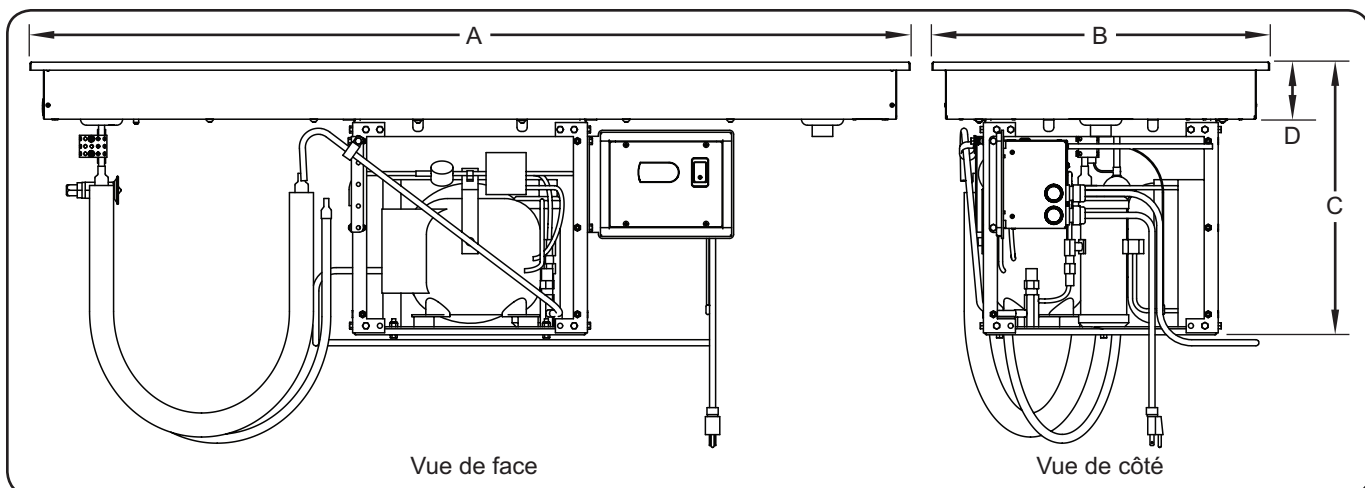
Modèle	Largeur (A)	Profondeur (B)	Hauteur globale (C)	Hauteur de la cuve (D)
FTB-3/4	535 mm (21-1/16")	457 mm (18")	437 mm (17-1/4")	90 mm (3-9/16")
FTB-1	535 mm (21-1/16")	735 mm (28-15/16")	437 mm (17-1/4")	90 mm (3-9/16")
FTB-2	991 mm (39")	735 mm (28-15/16")	437 mm (17-1/4")	90 mm (3-9/16")
FTB-3	1448 mm (57")	735 mm (28-15/16")	437 mm (17-1/4")	90 mm (3-9/16")



FTB Dimensions

FTB-S Dimensions

Modèle	Largeur (A)	Profondeur (B)	Hauteur globale (C)	Hauteur de la cuve (D)
FTB-S2	1395 mm (54-15/16")	535 mm (21-1/16")	437 mm (17-1/4")	90 mm (3-9/16")
FTB-S3	2053 mm (80-13/16")	535 mm (21-1/16")	437 mm (17-1/4")	90 mm (3-9/16")



FTB-S Dimensions

Généralités

Les plans réfrigérés de libre service sont expédiés totalement assemblés et prêts à l'usage à la sortie de l'usine. Utilisez les informations et procédures suivantes pour préparer le lieu d'installation et l'appareil ainsi que pour installer l'appareil.

AVERTISSEMENT

DANGER DE DÉCHARGE ÉLECTRIQUE :

- Brancher l'appareil sur une prise de courant avec terre de tension, de format et de configuration des broches corrects. Si la fiche et la prise ne se correspondent pas, s'adresser à un électricien qualifié pour déterminer et installer une prise de courant de format et de tension corrects.
- L'unité n'est pas étanche. Il doit être installé en intérieur.

DANGER D'INCENDIE: Lors de l'installation, un espace minimum de 51 mm (2") doit être maintenu entre les parois du groupe compresseur-condenseur et toute surface combustible.

L'élément doit être installé par des installateurs formés et qualifiés. L'installation doit être conforme à toutes les normes électriques et de plomberie locales. Vérifiez les procédures et les normes à suivre auprès de vos inspecteurs locaux en plomberie et en électricité.

ATTENTION

Placer l'appareil sur un plan de travail de hauteur correcte à un endroit qui convient pour son utilisation. Le support doit être de niveau pour éviter toute chute accidentelle du grille-pain ou de son contenu et suffisamment solide pour résister au poids de l'appareil et de son contenu.

AVIS

En cas d'expédition en hiver, stocker l'appareil dans un environnement à température ambiante adéquate pendant 10 heures afin d'éviter d'endommager le compresseur et/ou le circuit frigorifique. Si l'appareil est allumé et que vous constatez une vibration et des bruits excessifs, éteignez-le immédiatement et laissez-le chauffer un peu plus longtemps.

L'appareil est conçu pour être utilisé dans des environnements où la température ambiante se situe entre 18°C (65°F) et 30°C (86°F).

Prévoyez des ouvertures à grille ou à persiennes de 31 x 31 cm soit 961 cm² (12" x 12"/144 square inches) dans le meuble devant et derrière le groupe compresseur-condenseur pour une bonne ventilation. Une mauvaise circulation de l'air dans le groupe compresseur-condenseur pourrait entraîner une panne de l'appareil et aurait pour effet d'annuler la garantie.

Maintenez l'appareil dans la position verticale lors du transport et de l'installation. Le non-respect de cette mesure pourrait endommager le système de réfrigération.

Ne pas utiliser l'appareil à un endroit exposé à des températures excessives ou de la graisse de grills, friteuses, etc. Les températures excessives risquent d'abîmer l'appareil.

Tous les plans réfrigérés de libre service sont expédiés dans une structure d'expédition pour assurer une bonne stabilité et protection. Ne sortez l'appareil de son emballage que lorsque le lieu d'installation et l'appareil sont prêts à être installés.

1. Retirez tout l'emballage externe de l'appareil.
2. Retirer le ruban et le film de protection de toutes les surfaces de l'appareil.

NOTA: Pour éviter des retards dans l'obtention de la couverture de la garantie, complétez l'enregistrement en ligne de votre garantie. Lisez la section INFORMATIONS IMPORTANTES POUR LE PROPRIÉTAIRE pour plus de détails.

Préparer l'appareil pour installation

L'orientation du groupe compresseur-condenseur sur tous les modèles FTB peut être réglée pour correspondre au mieux à l'agencement du lieu d'installation. Il peut être orienté à 90° ou à 180° de sa position originale à la sortie de l'usine. Sur les modèles FTB-3, FTB-S2, et FTB-S3, le groupe compresseur-condenseur peut être installé dans différentes positions contre la partie inférieure de la cuve du plan réfrigéré à l'aide des orifices pré-perçés à intervalles de 165 mm (6-1/2"). Le groupe compresseur-condenseur des modèles FTB-2 peut être installé à l'aide des orifices pré-perçés à intervalles de 76 mm (3").

Inspectez le lieu d'installation et déterminez si l'orientation et/ou la position du groupe compresseur-condenseur ont besoin d'être réglées. Prenez en compte le besoin d'ouvertures à grille ou à persiennes dans le meuble afin d'assurer une ventilation correcte du groupe compresseur-condenseur. Une de ces ouvertures doit se situer devant les serpentins du condenseur et l'autre à l'opposé. Si l'orientation et/ou la position du groupe compresseur-condenseur ont besoin d'être réglées, suivez la/les procédure(s) suivante(s).

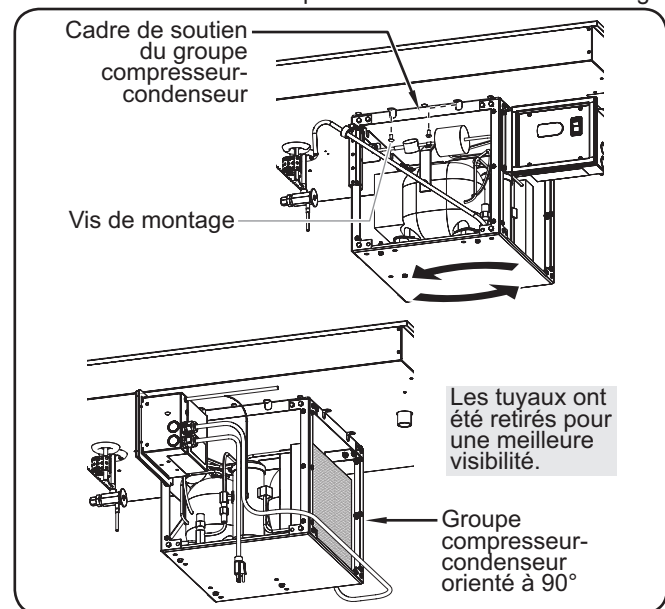
Faire pivoter le groupe compresseur-condenseur

Cette procédure peut être suivie pour tous les modèles FTB.

1. Placez des cales sous le groupe compresseur-condenseur pendant la rotation.
2. Retirez les 4 vis de montage qui soutiennent le cadre de soutien du groupe sous la cuve du plan.
3. Tournez le groupe compresseur-condenseur à 90° ou à 180°, en fonction du lieu d'installation.

NOTA: Quand vous effectuez la rotation du groupe, veillez à ne pas placer les tuyaux de l'évaporateur ou tout autre obstacle devant le serpentin du condenseur.

4. Vissez de nouveau le cadre de soutien du groupe en dessous de la cuve du plan à l'aide des 4 vis de montage.

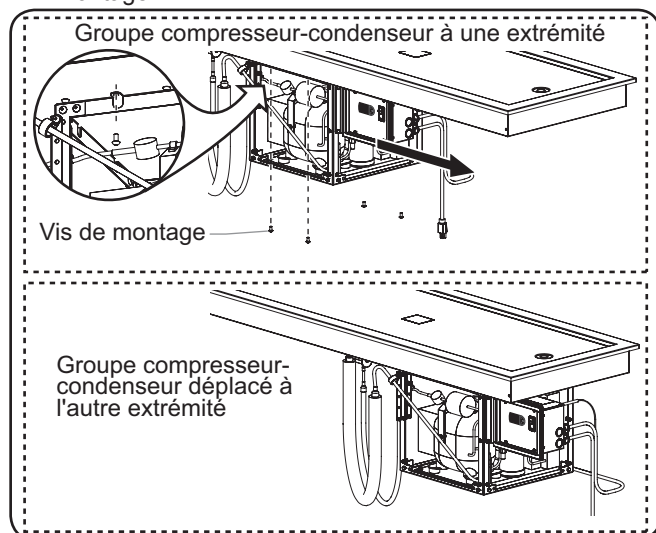


Rotation du groupe compresseur-condenseur

Déplacer le groupe compresseur-condenseur

Cette procédure ne concerne que les modèles FTB-2, FTB-3, FTB-S2, et FTB-S3.

1. Retirez les quatre vis de montage qui soutiennent le cadre de soutien du groupe en dessous de la cuve du plan.
2. Déplacez le groupe compresseur-condenseur jusqu'à la position voulue. Le groupe compresseur-condenseur peut être installé dans différentes positions contre la partie inférieure de la cuve du plan réfrigéré à l'aide des orifices pré-perçés à intervalles de 165 mm (6-1/2") (intervalles de 76 mm [3"] pour les modèles FTB-2).
3. Vissez de nouveau le cadre de soutien du groupe en dessous de la cuve du plan à l'aide des quatre vis de montage.



Déplacement d'un groupe compresseur-condenseur

Préparer le lieu d'installation

1. Percez les ouvertures appropriées dans le comptoir pour permettre l'installation de l'appareil. Reportez-vous au paragraphe « Dimensions pour la découpe du comptoir » de cette section.
2. En cas d'installation du panneau de contrôle à distance, percez les trous adéquats dans la surface verticale où vous souhaitez installer le panneau de contrôle. Pour connaître les dimensions des découpes, consultez les instructions de la section « Installer le panneau de contrôle à distance ».
3. Réalisez les modifications structurelles ou ajoutez des renforts sous le comptoir pour vous assurer qu'il supportera le poids de l'appareil et de son contenu. Assurez-vous qu'une distance minimale de 2" (51 mm) sera respectée entre le groupe compresseur-condenseur et la surface interne.

NOTA: Le comptoir doit être de niveau pour assurer une vidange correcte de la cuve du plan.

4. Percez les ouvertures appropriées dans le comptoir afin d'assurer une ventilation correcte du groupe compresseur-condenseur ainsi qu'un accès au panneau de contrôle. Deux ouvertures, chacune respectant les dimensions minimum de 31 x 31 cm soit 961 cm² (12" x 12" soit 144 po²), sont obligatoires. Pour un bon fonctionnement, une de ces ouvertures de ventilation doit se situer devant le serpentin du condenseur et l'autre à l'opposé. Des panneaux à persiennes ou à grille doivent être installés sur les ouvertures pour protéger le groupe compresseur-condenseur.

5. Assurez-vous qu'une prise de courant reliée à la terre de voltage, de taille et de configuration de fiche corrects se trouve à une distance de moins de 6' (1829 mm) du lieu de montage du panneau de contrôle. Consultez la section CARACTÉRISTIQUES pour obtenir plus de détails.

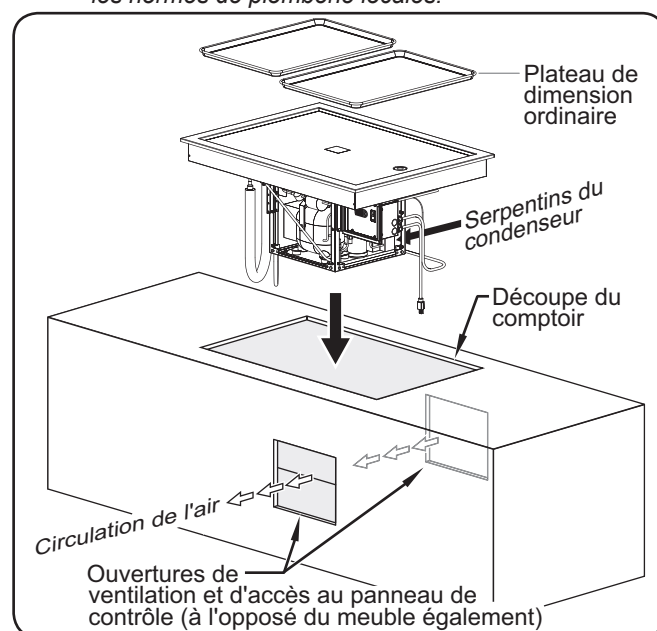
Installer l'appareil

AVIS

Lors de l'installation, manipulez l'appareil avec précaution et évitez au maximum de heurter les tuyaux et les conduites. La garantie ne couvre pas les éléments endommagés pendant l'installation.

1. Sortez l'appareil de sa structure d'expédition et placez-le avec précaution dans la découpe du comptoir. Cette étape nécessite deux personnes ou plus en fonction de l'appareil.
2. Appliquez un agent d'étanchéité à base de silicone homologué par la NSF (National Sanitation Foundation) sur les bords de l'appareil pour le fixer au comptoir.
3. Installez le panneau de contrôle à l'endroit voulu.
 - Le panneau de contrôle peut être installé sur un des trois côtés du cadre de soutien du groupe compresseur-condenseur. N'installez pas le panneau de contrôle devant les serpentins du condenseur.
 - Le panneau de contrôle peut être installé à une distance inférieure à 1219 mm (48") du groupe compresseur-condenseur.
4. Connectez le raccord de drain NPT de 25 mm (1") à un siphon et à un tuyau de vidange (sauf pour les modèles FTB-3/4 et -1). Si vous n'avez pas de siphon et de tuyau de vidange, placez une bassine (non fournie) sous le raccord de drain pour récupérer l'eau qui s'écoule de la cuve du plan.

NOTE: Faites appel à un plombier professionnel pour installer le siphon et le tuyau de vidange de sorte à respecter les normes de plomberie locales.



Installation d'un modèle FTB-2

5. Nettoyez minutieusement la cuve en vue de la mise en service. Reportez-vous à la section Maintenance pour consulter les procédures de nettoyage correctes.

NOTA: Si vous utilisez une baignoire pour récupérer l'eau sous le raccord de drain, assurez-vous qu'elle est vidée régulièrement pour éviter qu'elle ne déborde.

6. Branchez l'appareil à une prise de courant reliée à la terre de voltage, de taille et de configuration de fiche corrects. Consultez la section CARACTÉRISTIQUES pour obtenir plus de détails.

Installer le panneau de contrôle à distance

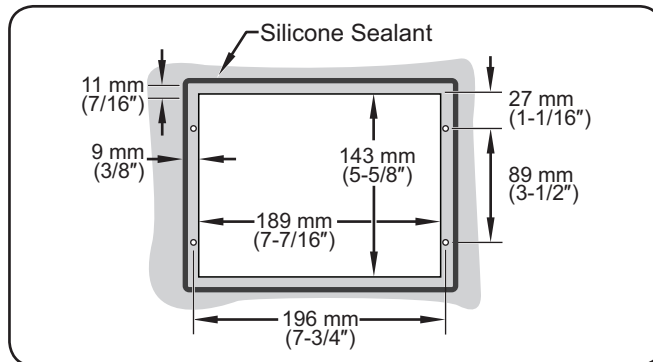
Suivez les instructions suivantes pour installer le panneau de contrôle à distance.

⚠ AVERTISSEMENT

Le panneau de contrôle doit être installé sur une surface verticale. L'installation du panneau de contrôle sur une surface horizontale peut entraîner une accumulation de liquides et un risque d'électrocution.

1. Coupez et percez les trous appropriés dans la surface de fixation. Référez-vous à l'illustration « Dimensions des emplacements d'orifices de passage de vis et de découpe pour le panneau de commande » pour obtenir les dimensions de découpe.
2. Retirez les quatre vis de compensation du panneau de contrôle et retirez le revêtement protecteur.
3. Placez le panneau de contrôle dans l'ouverture par l'arrière.
4. Fixez le panneau de contrôle sur la surface verticale à l'aide de quatre vis (non fournies).

5. Appliquez un point de joint en silicone approuvé par la NSF de 6 mm (1/4") là où le couvercle à découper sera en contact avec la surface de l'armoire. Référez-vous à l'illustration « Dimensions des emplacements d'orifices de passage de vis et de découpe pour le panneau de commande » pour obtenir plus d'informations.
6. Réinstallez le revêtement protecteur sur le panneau de contrôle et fixez-le à l'aide des quatre vis de compensation. Assurez-vous que l'extrémité du couvercle est bien enfoncée dans le joint en silicone.



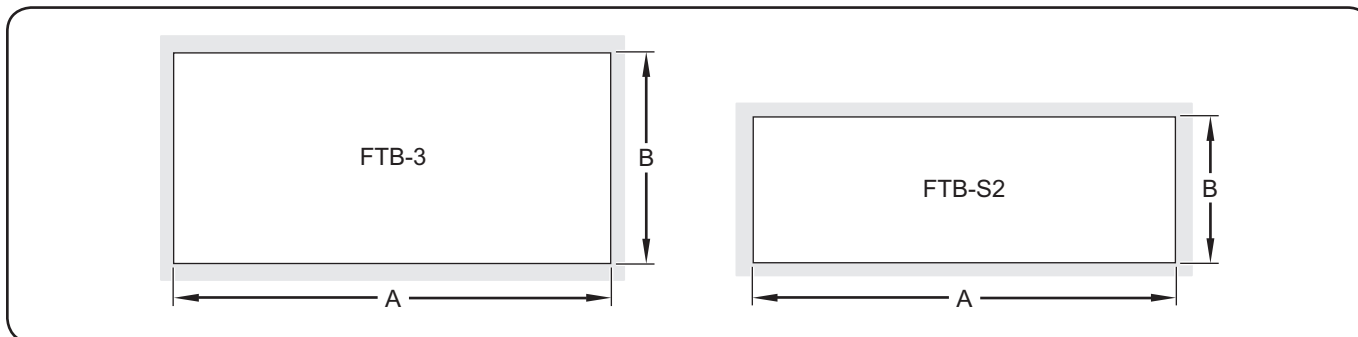
Dimensions des emplacements d'orifices de passage de vis et de découpe pour le panneau de commande

NOTA: Veillez à ce que la largeur de la découpe du panneau de contrôle n'excède pas la dimension ci-dessus.

Dimensions de découpe du comptoir

Modèle	Largeur (A)	Profondeur (B)
FTB-3/4	494 à 511 mm (19-7/16" à 20-1/8")	419 à 433 mm (16-1/2" à 17-1/16")
FTB-1	494 à 511 mm (19-7/16" à 20-1/8")	697 à 711 mm (27-7/16" à 28")
FTB-2	949 à 965 mm (37-3/8" à 38")	697 à 711 mm (27-7/16" à 28")
FTB-3	1407 à 1422 mm (55-3/8" à 56")	697 à 711 mm (27-7/16" à 28")

Modèle	Largeur (A)	Profondeur (B)
FTB-S2	1354 à 1372 mm (53-5/16" à 54")	494 à 511 mm (19-7/16" à 20-1/8")
FTB-S3	2011 à 2029 mm (79-3/16" à 79-7/8")	494 à 511 mm (19-7/16" à 20-1/8")



Dimensions de découpe du comptoir pour séries FTB et FTB-S

Généralités

Suivez les procédures suivantes pour mettre en marche un plan réfrigéré de libre service.

AVERTISSEMENT


Lire tous les messages de sécurité de la section Consignes de sécurité importantes avant d'utiliser ce matériel.


Assurez-vous que les aliments ont été correctement réfrigérés à une température appropriée avant de les placer dans l'appareil. Maintenir des aliments à une température inappropriée peut entraîner des risques graves pour la santé. Cet appareil est uniquement destiné à maintenir frais des aliments préalablement réfrigérés.

NOTICE

En cas d'expédition en hiver, stocker l'appareil dans un environnement à température ambiante adéquate pendant 10 heures afin d'éviter d'endommager le compresseur et/ou le circuit frigorifique. Si l'appareil est allumé et que vous constatez une vibration et des bruits excessifs, éteignez-le immédiatement et laissez-le chauffer un peu plus longtemps.


L'appareil est conçu pour être utilisé dans des environnements où la température ambiante se situe entre 18°C (65°F) et 30°C (86°F).

NOTA: Si « OFF » clignote sur l'écran puis la température actuelle, maintenez le bouton  enfoncé pendant trois secondes. « OFF » ne clignote plus sur l'écran.

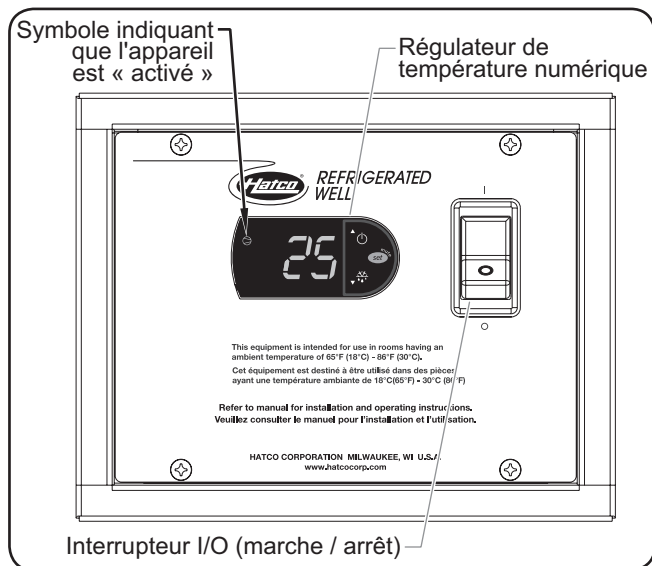
Si « df » clignote sur l'écran puis la température actuelle, maintenez le bouton  enfoncé pendant trois secondes. « df » ne clignote plus sur l'écran.

Allumage

1. Placez l'interrupteur I/O (marche/arrêt) sur la position « I » (marche) (l'interrupteur se trouve sur le panneau de contrôle).

- Le régulateur de température numérique va être activé et la mention « ON » (marche) va s'afficher sur l'écran, ainsi que la température actuelle de l'appareil.
- Le symbole  va apparaître sur l'écran, indiquant que le groupe compresseur-condenseur est activé et refroidit la cuve.

NOTA: Cet appareil est préréglé à la sortie de l'usine à une température nominale de -4°C (25°F). Si les conditions ambiantes nécessitent un réglage de la température nominale, reportez-vous à la partie « Modifier la température nominale » dans cette section.



Panneau de contrôle des séries FTB

2. Attendez 30 minutes, le temps pour l'appareil d'atteindre la température nominale, avant d'y placer les produits pré-réfrigérés.
3. Vérifiez sur l'écran que l'appareil a bien atteint la température nominale appropriée et placez les plateaux qui contiennent les produits pré-réfrigérés sur le plan.
 - Utilisez toujours un bac alimentaire. Ne placez pas les aliments directement dans le plan.
 - Remuez fréquemment les aliments plus consistants afin de répartir le froid de manière uniforme.

AVERTISSEMENT

Hatco Corporation n'est pas responsable de la température réelle à laquelle les aliments sont servis. Il est de la responsabilité de l'utilisateur de s'assurer que la nourriture est conservée et servie à une température sans danger.

Arrêt

1. Réglez l'interrupteur I/O (marche/arrêt) en position « O » (arrêt). Le régulateur de température numérique et le groupe compresseur-condenseur vont s'éteindre.
2. Effectuez la procédure de « nettoyage quotidien » décrite dans la section Maintenance de ce manuel.

AVIS

Nettoyez l'unité quotidiennement pour éviter les dysfonctionnements et assurer un fonctionnement sain.

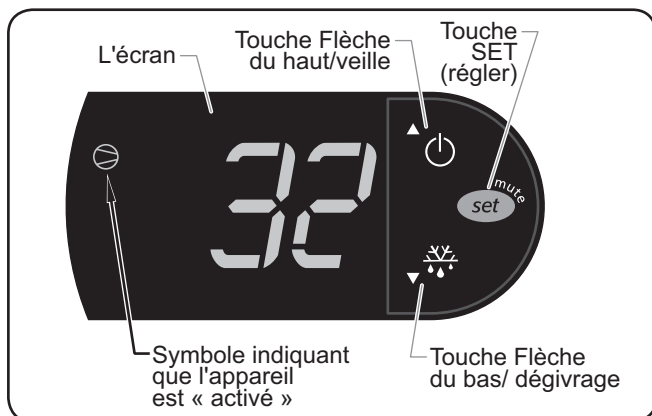
NOTA: Si vous utilisez une bassine pour récupérer l'eau sous le raccord de drain, assurez-vous qu'elle est vidée régulièrement pour éviter qu'elle ne déborde.

Modifier la température nominale

Suivez la procédure suivante pour modifier la température nominale sur le régulateur de température numérique.

NOTA: La température nominale doit être modifiée progressivement (de 1 ou 2 degrés). Attendez au minimum deux heures après un changement de température avant de vérifier le résultat.

1. Appuyez pendant une seconde sur la touche **set** jusqu'à ce que la température nominale actuelle clignote sur l'écran.
2. Appuyez sur la touche \uparrow ou \downarrow pour augmenter ou baisser la température nominale. Si vous n'appuyez sur aucune touche dans les 60 secondes, l'écran reprendra son fonctionnement normal et la température actuelle de l'appareil s'affichera sur l'écran.
3. Appuyez sur la touche **set** pour enregistrer la nouvelle température nominale. L'écran va revenir à l'affichage de la température actuelle de l'appareil.



Régulateur de température numérique

NOTA: Si « OFF » clignote sur l'écran puis la température actuelle, maintenez le bouton \uparrow enfoncé pendant trois secondes. « OFF » ne clignote plus sur l'écran.

Si « df » clignote sur l'écran puis la température actuelle, maintenez le bouton \downarrow enfoncé pendant trois secondes. « df » ne clignote plus sur l'écran.

Programmer le cycle de dégivrage automatique

Les cuves réfrigérées libre service Hatco sont programmées à l'usine de manière à ce que le cycle de dégivrage automatique soit désactivé. Suivez la procédure suivante pour activer le ou les cycle, si les conditions ambiantes ou de fonctionnement nécessitent un dégivrage occasionnel de l'appareil. Quand un appareil entre dans un cycle de dégivrage, le symbole \downarrow apparaîtra sur l'écran.

1. Appuyez sur la touche **set** pendant trois secondes pour accéder au mode de programmation. La mention « PS » (mot de passe) va s'afficher sur l'écran.
2. Appuyez à nouveau sur la touche **set**. Un chiffre va s'afficher sur l'écran.
3. Appuyez sur la touche \uparrow ou \downarrow jusqu'à ce que le chiffre « 22 » s'affiche sur l'écran, puis appuyez sur la touche **set**.

4. Utilisez la touche \uparrow ou \downarrow pour faire défiler les paramètres de programmation jusqu'à ce que la mention « dl » (intervalle de dégivrage) s'affiche sur l'écran.

5. Appuyez sur la touche **set** et sélectionnez « dl ». Le nombre de cycles de dégivrage actuel s'affichera sur l'écran. Pour la première mise en service de l'appareil, ce nombre sera « 0 ».

6. Appuyez sur la touche \uparrow ou \downarrow dans les 60 secondes pour faire défiler le nombre d'heures souhaité entre chaque cycle de dégivrage. Voici ci-dessous quelques exemples de fonctionnement du ou des cycle(s) de dégivrage :

« 0 » = le dégivrage automatique est désactivé

« 1 » = l'appareil effectuera un dégivrage toutes les heures

« 4 » = l'appareil effectuera un dégivrage toutes les quatre heures

« 12 » = l'appareil effectuera un dégivrage toutes les douze heures

Si vous n'appuyez sur aucune touche dans les 60 secondes, l'écran reprendra son fonctionnement normal et la température actuelle de l'appareil s'affichera sur l'écran.

7. Appuyez sur la touche **set** pour enregistrer le nouveau réglage du cycle de dégivrage.

8. Appuyez sur la touche **set** pendant trois secondes pour quitter le mode de programmation. L'écran va revenir à l'affichage de la température actuelle de l'appareil.

Alternance entre l'affichage Fahrenheit et Celsius

Utilisez la procédure ci-après pour alterner entre l'affichage Fahrenheit et Celsius.

1. Maintenez le bouton **set** enfoncé pendant trois secondes pour accéder au mode de programmation. La mention « PS » (mot de passe) va s'afficher sur l'écran.

2. Appuyez sur le bouton **set** une nouvelle fois. Un chiffre va s'afficher sur l'écran.

3. Appuyez sur le bouton \uparrow ou \downarrow jusqu'à ce que le chiffre « 22 » s'affiche à l'écran, puis appuyez sur le **set** bouton.

4. Utilisez le bouton \uparrow ou \downarrow pour faire défiler les paramètres de programmation jusqu'à que F° s'affiche à l'écran.

5. Appuyez sur le bouton **set** pour sélectionner F° .

6. Appuyez sur le bouton \uparrow ou \downarrow dans les 60 secondes pour atteindre le paramètre souhaité. Voici ci-dessous le paramètre correct :

« 0 » = Affichage en Celsius

« 1 » = Affichage en Fahrenheit

Si vous n'appuyez sur aucune touche dans les 60 secondes, l'écran reprendra son fonctionnement normal et la température actuelle de l'appareil s'affichera sur l'écran.

7. Appuyez sur le bouton **set** pour enregistrer le nouveau réglage.

8. Maintenez le bouton **set** enfoncé pendant trois secondes pour quitter le mode de programmation. L'écran va revenir à l'affichage de la température actuelle de l'appareil.

Généralités

Les plans réfrigérés de libre service Hatco sont conçus pour une durabilité et une performance maximum, avec un minimum d'entretien.

⚠ AVERTISSEMENT

DANGER DE DÉCHARGE ÉLECTRIQUE :

- Mettez l'unité hors tension depuis l'interrupteur et débranchez le cordon d'alimentation avant d'effectuer tout nettoyage, tout réglage ou tout entretien.
- **NE PAS immerger l'appareil ni le saturer d'eau.** L'appareil n'est pas étanche à l'eau. Ne pas le faire fonctionner s'il a été immergé ou saturé d'eau.

DANGER D'INCENDIE : N'utilisez pas des solutions nettoyantes inflammables pour nettoyer cet appareil.

Cet appareil ne contient aucune pièce réparable par l'utilisateur. Si cet appareil doit être réparé, contacter un réparateur Hatco agréé ou le Service après-vente Hatco au 800-558-0607 ou 414-671-6350.

AVIS

Nettoyez l'unité quotidiennement pour éviter les dysfonctionnements et assurer un fonctionnement sain.

Utiliser uniquement des produits nettoyants non abrasifs. Les produits nettoyants abrasifs peuvent rayer la finition de l'appareil, ce qui altère son apparence et le rend plus susceptible d'accumuler la saleté.

N'utilisez pas de paille de fer pour le nettoyage. La paille de fer rayer les finitions.

L'utilisation de produits chimiques agressifs tels que l'eau de javel, les produits nettoyants contenant de la javel, ou les produits de nettoyage pour les fours sont proscrits pour nettoyer l'appareil.

Nettoyage quotidien

1. Réglez l'interrupteur d'alimentation I/O (marche / arrêt) en position « O » (arrêt) et attendez que l'appareil dégivre.

NOTA: Si vous utilisez une bassine pour récupérer l'eau sous le raccord de drain, assurez-vous qu'elle est vidée régulièrement pour éviter qu'elle ne déborde.

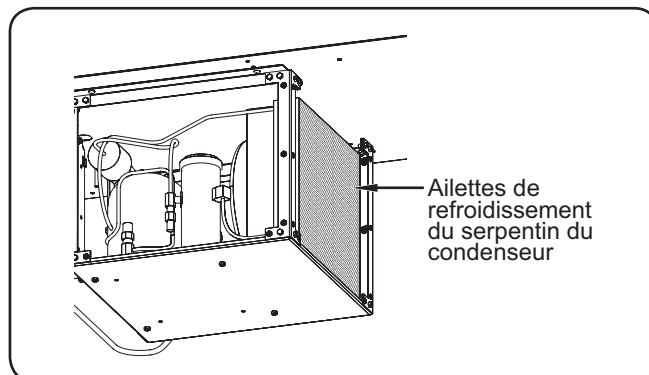
2. Retirez et lavez les plateaux.
3. Nettoyez le plan à l'aide d'un chiffon ou d'une éponge humide et de détergent doux. Servez-vous d'une éponge à récurer en plastique pour retirer toute particule solide de nourriture ou dépôt de minéraux.
4. Nettoyez le plan avec un chiffon doux et désinfecté pour retirer les restes de détergent. Continuez jusqu'à ce que toute trace de détergent soit retirée et que le plan soit propre.
5. Essuyez l'intégralité de l'unité en utilisant un chiffon doux et sec.
6. Nettoyez l'extérieur de panneaux à persiennes ou à grille installés sur les ouvertures de ventilation.

Nettoyage mensuel

Effectuez les procédures suivantes mensuellement pour maintenir un fonctionnement efficace et correct du plan réfrigéré de libre service ainsi que pour éviter les pannes.

1. Retirez et nettoyez les deux côtés des panneaux à persiennes ou à grille installés sur les ouvertures de ventilation. La saleté et la poussière accumulée dans les panneaux peut restreindre la circulation d'air dans le groupe compresseur-condenseur et provoquer une surchauffe.
2. Nettoyez les ailettes de refroidissement du serpentin du condenseur. La saleté, la poussière et les peluches accumulées dans les ailettes de refroidissement empêcheront un refroidissement correct du système de réfrigération et du liquide frigorigène. Cette accumulation provoquera un fonctionnement inefficace et peut entraîner une panne de l'appareil. Utilisez les méthodes suivantes pour nettoyer les ailettes de refroidissement du serpentin du condenseur :

- Aspirez les ailettes de refroidissement.
- Brossez les ailettes de refroidissement verticalement à l'aide d'une brosse pour serpentin de condenseur. **AVIS : Brossez les ailettes de refroidissement avec précaution, elles sont délicates et peuvent se plier facilement. N'utilisez PAS de brosse métallique.**



Ailettes de refroidissement du serpentin du condenseur



NOTA: La fréquence des nettoyages conseillée est d'une fois par mois ; mais en fonction des conditions du lieu d'installation, il est possible que la procédure de nettoyage ait besoin d'être réalisée plus ou moins souvent. Surveillez le niveau de saleté, poussière et peluches accumulés dans les panneaux et dans les ailettes de refroidissement, et réglez la fréquence des nettoyages si nécessaire.

⚠ AVERTISSEMENT

La réparation de cet appareil doit être confiée exclusivement à du personnel qualifié. Les réparations par des personnes non qualifiées peuvent provoquer des décharges électriques et des brûlures.

⚠ AVERTISSEMENT

DANGER DE DÉCHARGE ÉLECTRIQUE: Mettez l'unité hors tension depuis l'interrupteur et débranchez le cordon d'alimentation avant d'effectuer tout nettoyage, tout réglage ou tout entretien.

Symptômes	Causes Probables	Action Correctrice
L'appareil est trop froid.	Point de consigne de température trop bas.	Paramétrez une température nominale plus élevée. Reportez-vous à la procédure « Mode d'emploi » de cette section.
	Le régulateur de température numérique ne fonctionne pas correctement.	Contactez votre agent de maintenance agréé ou Hatco pour toute demande d'assistance.
L'appareil n'est pas suffisamment froid.	Les aliments n'ont pas été préalablement réfrigérés avant d'être placés dans l'appareil.	Ne placez que des aliments préalablement réfrigérés dans l'appareil.
	La température nominale est trop élevée.	Paramétrez une température nominale plus faible. Reportez-vous à la procédure « Mode d'emploi » de cette section.
	Le serpentin du condenseur et/ou les panneaux de ventilation sont bouchés.	Nettoyez le serpentin du condenseur et les panneaux de ventilation. Reportez-vous à la procédure « Nettoyage mensuel » de la section MAINTENANCE.
	Il y a trop de glace accumulée dans l'appareil.	Éteignez, dégivrez et nettoyez l'appareil. Activez un cycle de dégivrage automatique, si besoin (reportez-vous à la procédure dans la section MODE D'EMPLOI).
	Le régulateur de température numérique ne fonctionne pas correctement.	Contactez votre agent de maintenance agréé ou Hatco pour toute demande d'assistance.
	Le fluide frigorigène est faible ou fuit ou une panne interne est survenue dans le groupe compresseur-condenseur.	Contactez votre agent de maintenance agréé ou Hatco pour toute demande d'assistance.
L'appareil émet des vibrations et des bruits excessifs lorsqu'il est allumé.	Les composants internes n'ont pas été convenablement chauffés avant la mise en service.	Éteignez immédiatement l'appareil. L'appareil doit être stocké dans un environnement chaud, à une température de 18°C (65°F), pendant au moins 10 heures.
« OFF » clignote sur l'écran de commande et l'appareil ne fonctionne pas.	L'appareil est en mode veille.	Maintenez le bouton  enfoncé pendant trois secondes. « OFF » ne clignote plus sur l'écran.
« df » clignote sur l'écran de commande et l'appareil ne fonctionne pas.	L'appareil est en mode dégivrage.	Maintenez le bouton  enfoncé pendant trois secondes. « df » ne clignote plus sur l'écran.
L'appareil est branché, mais ne fonctionne pas.	L'appareil est éteint.	Allumez l'appareil.
	Le disjoncteur s'est déclenché.	Redémarrez le coupe-circuit. Si le coupe-circuit continue de disjoncter, contactez un agent de service agréé ou Hatco pour obtenir une assistance.
	Le régulateur de température numérique ne fonctionne pas correctement.	Contactez votre agent de maintenance agréé ou Hatco pour toute demande d'assistance.
	Le groupe compresseur-condenseur surchauffe.	Contactez votre agent de maintenance agréé ou Hatco pour toute demande d'assistance.
	Une panne interne est survenue dans le groupe compresseur-condenseur.	Contactez votre agent de maintenance agréé ou Hatco pour toute demande d'assistance.

Vous avez des questions en ce qui concerne les pannes ?

Si le problème persiste, veuillez contacter l'agence d'entretien agréée Hatco la plus proche ou Hatco pour obtenir une assistance. Pour trouver l'agence d'entretien la plus proche, rendez-vous sur le site Internet de Hatco (www.hatcocorp.com) et cliquez sur Trouver un agent d'entretien, ou contactez l'équipe d'entretien et de pièces détachées de Hatco :

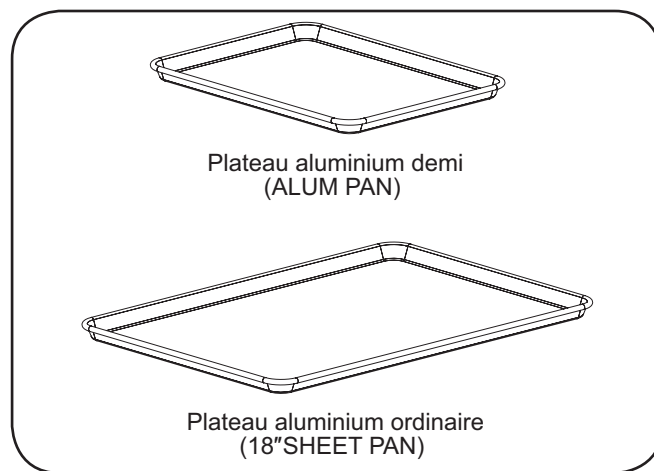
Numéro de téléphone: 800-558-0607 ou 414-671-6350

Courriel: partsandservice@hatcocorp.com

Bacs alimentaires

Les plateaux alimentaires en option existent dans différentes tailles.

ALUM PAN	Plateau aluminium demi — 457 x 330 mm (18"L x 13"P)
18"SHEET PAN	Plateau aluminium ordinaire — 457 x 660 mm (18"L x 26"P)



Bacs alimentaires

GARANTIE LIMITÉE

1. GARANTIE DU PRODUIT

Hatco garantit que les produits qu'il fabrique (les « Produits ») sont exempts de défauts de matériel et de fabrication, dans des conditions normales d'utilisation et de maintenance, pour une période d'un (1) an à partir de la date d'achat à condition que l'appareil soit installé et entretenu conformément aux instructions écrites de Hatco ou 18 mois après la date de l'expédition par Hatco. L'acheteur doit prouver la date d'achat du Produit par l'enregistrement de ce dernier auprès de Hatco ou par d'autres moyens satisfaisants pour Hatco, à sa seule discrétion.

Hatco garantit que les composants du Produit suivants sont exempts de défauts de matériel et de fabrication à partir de la date d'achat (sous réserve des conditions précédentes) pour la ou les périodes de temps et en fonction des conditions listées ci-dessous :

- a) **Garantie d'un (1) an pour les pièces et la main-d'œuvre PLUS un (1) an supplémentaire pour les pièces uniquement :**
Éléments du grille-pain à convoyeur (enveloppe métallique)
Éléments des tiroirs chauffants (enveloppe métallique)
Tiroirs, roues et glissières des tiroirs chauffants
Éléments des rampes chauffantes (enveloppe métallique)
Éléments des vitrines chauffantes
(enveloppe métallique, air chauffant)
Éléments des armoires de stockage
(enveloppe métallique, air chauffant)
Éléments des compartiments chauffants —
série HW et HWB (enveloppe métallique)
- b) **Garantie de deux (2) ans pour les pièces et la main-d'œuvre :**
Gammas à induction
- c) **Garantie d'un (1) an pour les pièces et la main-d'œuvre PLUS quatre (4) ans pour les pièces uniquement :**
Cuves 3CS et FR
- d) **Garantie d'un (1) an pour les pièces et la main-d'œuvre PLUS neuf (9) ans pour les pièces uniquement :**
Cuves des appareils de chauffage d'appoint électriques
Cuves des appareils de chauffage d'appoint à gaz
- e) **Garantie de quatre-vingt-dix (90) jours pour les pièces uniquement :**
Pièces de rechange

LES GARANTIES PRÉCÉDENTES SONT EXCLUSIVES ET REMPLACENT TOUTES AUTRES GARANTIES, EXPRESSES OU IMPLICITES, COMPRENANT, MAIS NE SE LIMITANT PAS, À TOUTES GARANTIES IMPLICITES DE QUALITÉ MARCHANDE OU DE FINALITÉ PARTICULIÈRE OU TOUTS BREVETS OU TOUTES AUTRES ATTEINTES AUX DROITS DE LA PROPRIÉTÉ INTELLECTUELLE. Sans restreindre la portée générale des énoncés précédents, CES GARANTIES NE COUVRENT PAS LES ÉLÉMENTS SUIVANTS : ampoules d'éclairage à incandescence enduites, lumières fluorescentes, ampoules de lampes chauffantes, ampoules d'éclairage à halogène enduites, ampoules de lampes chauffantes au xénon, tubes d'éclairage DEL, composants en verre et fusibles ; défaut de produit dans la cuve d'un appareil de chauffage d'appoint, dans un échangeur de chaleur à tubes à ailettes ou tout autre équipement de chauffage d'eau causé par la calcification, l'accumulation de sédiments, la réaction d'un produit chimique ou le gel ; ou une mauvaise utilisation, une manipulation ou une mauvaise application, une installation inappropriée du Produit ou l'utilisation d'une tension inappropriée.

2. LIMITES DES RECOURS ET DES DOMMAGES

La responsabilité de Hatco et la seule voie de recours de l'Acheteur prévues par les présentes seront limitées exclusivement, au gré de Hatco, à la réparation ou au remplacement à l'aide de pièces ou de Produits nouveaux ou remis à neuf par Hatco ou un centre de réparation agréé par Hatco (sauf si l'Acheteur se situe hors des États-Unis, du Canada, du Royaume-Uni ou de l'Australie, auquel cas la responsabilité de Hatco et la seule voie de recours de l'Acheteur seront limitées exclusivement au remplacement des pièces concernées par la garantie) à l'égard de toute revendication effectuée dans les délais de garantie applicables mentionnés ci-dessus. Hatco se réserve le droit d'accepter ou de rejeter toute réclamation en partie ou dans son intégralité. Dans le cadre de cette Garantie limitée, « remis à neuf » signifie une pièce ou un Produit dont les caractéristiques techniques d'origine ont été restaurées par Hatco ou un centre de réparation agréé par Hatco. Hatco n'acceptera aucun retour de Produits sans qu'il n'ait auparavant donné son accord écrit, et tous ces retours approuvés doivent être effectués aux seuls frais de l'Acheteur. HATCO NE SERA PAS TENU RESPONSABLE, DANS AUCUNE CIRCONSTANCE, DES DOMMAGES CONSÉCUTIFS OU INDIRECTS, COMPRENANT, MAIS NE SE LIMITANT PAS, AUX COÛTS DE MAIN-D'ŒUVRE OU PERTES DE PROFITS DUS À UNE UTILISATION OU À UNE IMPOSSIBILITÉ D'UTILISER LES PRODUITS OU DUS AU FAIT QUE LES PRODUITS ONT ÉTÉ INTÉGRÉS DANS OU QU'ILS SONT DEVENUS UN COMPOSANT DE TOUT AUTRE PRODUIT OU BIEN.

AUTHORIZED PARTS DISTRIBUTORS • AUTORISÉS DISTRIBUTEURS DE PIÈCES

ALABAMA

Jones McLeod Appl. Svc.
Birmingham 205-251-0159

ARIZONA

Service Solutions Group
Phoenix 602-234-2443

Byassee Equipment Co.
Phoenix 602-252-0402

CALIFORNIA

Industrial Electric
Commercial Parts & Service, Inc.
Huntington Beach 714-379-7100

Chapman Appl. Service
San Diego 619-298-7106

P & D Appliance
Commercial Parts & Service, Inc.
S. San Francisco 650-635-1900

COLORADO

Hawkins Commercial Appliance
Englewood 303-781-5548

FLORIDA

Whaley Foodservice Repair
Jacksonville 904-725-7800

Whaley Foodservice Repair
Orlando 407-757-0851

B.G.S.I.
Pompano Beach 954-971-0456

Comm. Appliance Service
Tampa 813-663-0313

GEORGIA

TWC Services
Mableton 770-438-9797

Heritage Service Group
Norcross 866-388-9837

Southeastern Rest. Svc.
Norcross 770-446-6177

HAWAII

Burney's Comm. Service, Inc.
Honolulu 808-848-1466

Food Equip Parts & Service
Honolulu 808-847-4871

ILLINOIS

Parts Town
Lombard 708-865-7278

Eichenauer Elec. Service
Decatur 217-429-4229

Midwest Elec. Appl. Service
Elmhurst 630-279-8000

Cone's Repair Service
Moline 309-797-5323

INDIANA

GCS Service
Indianapolis 800-727-8710

IOWA

Goodwin Tucker Group
Des Moines 515-262-9308

KENTUCKY

Service Solutions Group
Lexington 859-254-8854

Service Solutions Group
Louisville 502-451-5411

LOUISIANA

Chandlers Parts & Service
Baton Rouge 225-272-6620

MARYLAND

Electric Motor Service
Baltimore 410-467-8080

GCS Service
Silver Spring 301-585-7550

MASSACHUSETTS

Ace Service Co., Inc.
Needham 781-449-4220

MICHIGAN

Bildons Appliance Service
Detroit 248-478-3320

Commercial Kitchen Service
Bay City 989-893-4561

Midwest Food Equip. Service
Grandville 616-261-2000

MINNESOTA

GCS Service
Minnetonka 800-822-2303
x20365

MISSOURI

General Parts
Kansas City 816-421-5400

Commercial Kitchen Services
St. Louis 314-890-0700

Kaemmerlen Parts & Service
St. Louis 314-535-2222

NEBRASKA

Anderson Electric
Omaha 402-341-1414

NEVADA

Burney's Commercial
Las Vegas 702-736-0006

Hi. Tech Commercial Service
N. Las Vegas 702-649-4616

NEW JERSEY

Jay Hill Repair
Fairfield 973-575-9145

Service Plus
Flanders 973-691-6300

NEW YORK

Acme American Repairs, Inc.
Jamaica 718-456-6544

Alpro Service Co.
Maspeth 718-386-2515

Appliance Installation
Buffalo 716-884-7425

Duffy's Equipment Services, Inc.
Buffalo 800-836-1014

3Wire Northern
Plattsburgh 800-634-5005

Duffy's Equipment Services, Inc.
Sauquoit 800-836-1014

J.B. Brady, Inc.
Syracuse 315-422-9271

NORTH CAROLINA

Authorized Appliance
Charlotte 704-377-4501

OHIO

Akron/Canton Comm. Svc. Inc.
Akron 330-753-6634

Service Solutions Group
Cincinnati 513-772-6600

Commercial Parts and Service
Columbus 614-221-0057

Electrical Appl. Repair Service
Brooklyn Heights 216-459-8700

E. A. Wichman Co.
Toledo 419-385-9121

OKLAHOMA

Hagar Rest. Service, Inc.
Oklahoma City 405-235-2184

Krueger, Inc.
Oklahoma City 405-528-8883

OREGON

Ron's Service, Inc.
Portland 503-624-0890

PENNSYLVANIA

Elmer Schultz Services
Philadelphia 215-627-5401

FAST Comm. Appl. Service
Philadelphia 215-288-4800

Appliance Installation & Service
Pittsburgh 412-809-0244

K & D Service Co.
Harrisburg 717-236-9039

Electric Repair Co.
Reading 610-376-5444

RHODE ISLAND

Marshall Electric Co.
Providence 401-331-1163

SOUTH CAROLINA

Whaley Foodservice Repair
Lexington 803-996-9900

TENNESSEE

Camp Electric
Memphis 901-527-7543

TEXAS

GCS Service
Fort Worth 800-433-1804

Armstrong Repair Service
Houston 713-666-7100

Cooking Equipment Specialist
Mesquite 972-686-6666

Commercial Kitchen Repair Co.
San Antonio 210-735-2811

UTAH

La Monica's Rest. Equip. Service
Murray 801-263-3221

VIRGINIA

Daubers
Norfolk 757-855-4097

Daubers
Springfield 703-866-3600

WASHINGTON

3Wire Restaurant Appliance
Seattle 800-207-3146

WISCONSIN

A.S.C., Inc.
Madison 608-246-3160

A.S.C., Inc.
Milwaukee 414-543-6460

CANADA

ALBERTA

Key Food Equipment Service
Edmonton 780-438-1690

BRITISH COLUMBIA

Key Food Equipment Service
Vancouver 604-433-4484

Key Food Equipment Service
Victoria 250-920-4888

MANITOBA

Air Rite, Inc.
Winnipeg 204-895-2300

NEW BRUNSWICK

EMR Services, Ltd.
Moncton 506-855-4228

ONTARIO

R.G. Henderson Ltd.
Toronto 416-422-5580

Choquette - CKS, Inc.
Ottawa 613-739-8458

QUÉBEC

Choquette - CKS, Inc.
Montreal 514-722-2000

Choquette - CKS, Inc.
Québec City 418-681-3944

UNITED KINGDOM

Marren Group
Northants +44(0)1933 665313

HATCO CORPORATION
P.O. Box 340500
Milwaukee, WI 53234-0500 U.S.A.
800-558-0607 414-671-6350
partsandservice@hatcocorp.com
www.hatcocorp.com

Register your unit online!

See IMPORTANT OWNER INFORMATION
section for details.

S'inscrire en ligne!

Lisez la section **INFORMATIONS IMPORTANTES**
POUR LE PROPRIÉTAIRE pour plus de informations.