



IMPORTANT NOTE:

Locate the Specification Label on unit to determine exact Model Name and electrical specifications. This information is needed to identify the correct replacement parts. See exploded view illustration(s) for Specification Label location.

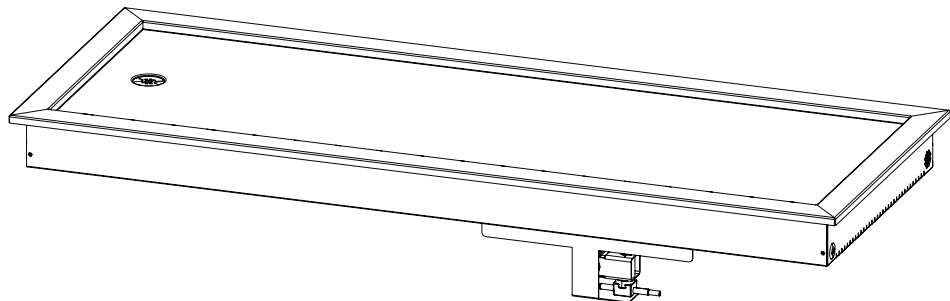
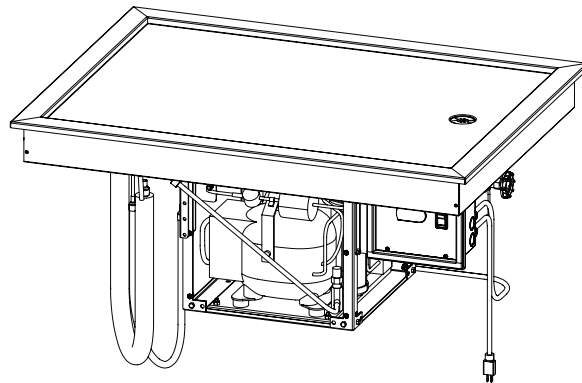


Use of replacement parts other than those supplied by Hatco Corporation may result in damage to unit or injury to personnel and will void all warranties.

Drop-In Frost Tops

FTB and FTB-S Series

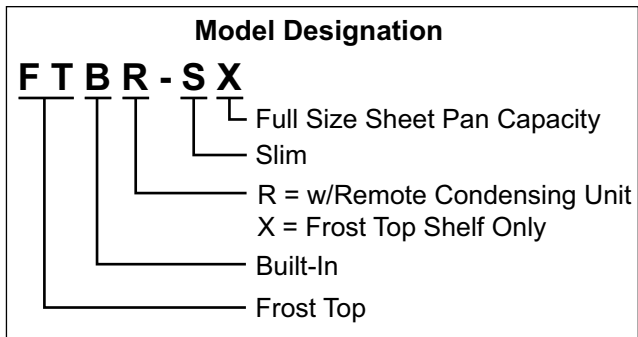
| <u>Model Name</u> | <u>Page</u> | <u>Model Name</u> | <u>Page</u> | <u>Model Name</u> | <u>Page</u> |
|-------------------|-------------|-------------------|-------------|-----------------------|-------------|
| FTB-1 | 2 | FTBR-2 | 2 | FTBX-3 | 2 |
| FTB-2 | 2 | FTBR-3 | 2 | FTBX-S1 | 2 |
| FTB-3 | 2 | FTBR-S1 | 2 | FTBX-S2 | 2 |
| FTB-S1 | 2 | FTBR-S2 | 2 | Condensing Unit | 3 |
| FTB-S2 | 2 | FTBX-1 | 2 | Control Panel | 3 |
| FTBR-1 | 2 | FTBX-2 | 2 | | |



Replacement Parts List

Hatco Drop-In Frost Tops

FTB Series and FTB-S Series



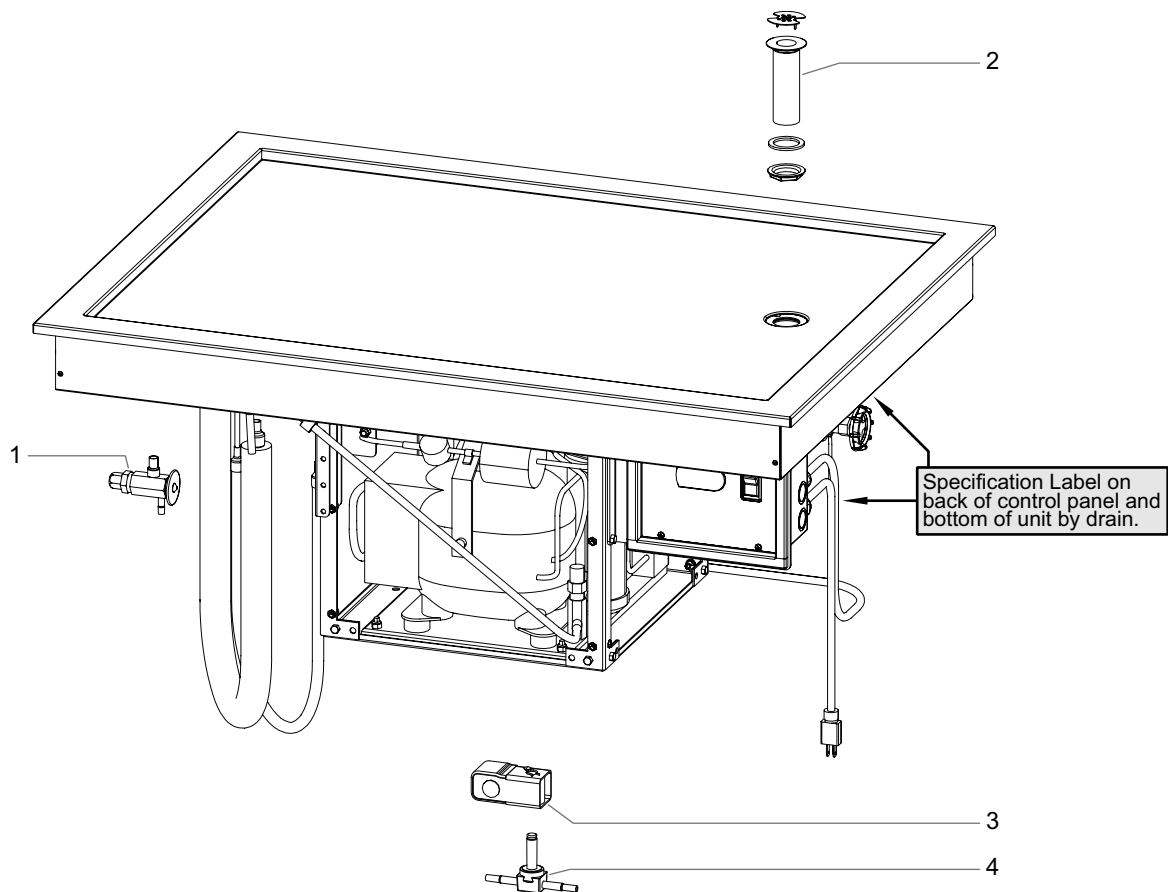
Main Assembly

| Item | Description | Part No. | Qty. |
|------|---------------------------|--------------|------|
| 1 | TXV Valve | 03.02.075.00 | 1 |
| 2 | Drain w/ Gasket and Nut * | 03.05.109.00 | 1 |
| 3 | Solenoid Coil † | | |
| | 120 V | 03.02.082.00 | 1 |
| | 220-230-240 V | 03.02.084.00 | 1 |

| Item | Description | Part No. | Qty. |
|------|---------------------------------------|--------------|------|
| 4 | Solenoid Valve † | 03.02.081.00 | 1 |
| | Wiring Diagrams | | |
| | FTB Models | 10-01-1099 | |
| | FTBR, FTBR-S, FTBX, and FTBX-S Models | 10-01-1101 | |

* Drain not available on 1-Pan or 3/4-Pan models.

† FTBX and FTBX-S models only.



NOTE: The last four digits in a ten digit numerical serial number are the manufacturing date code.

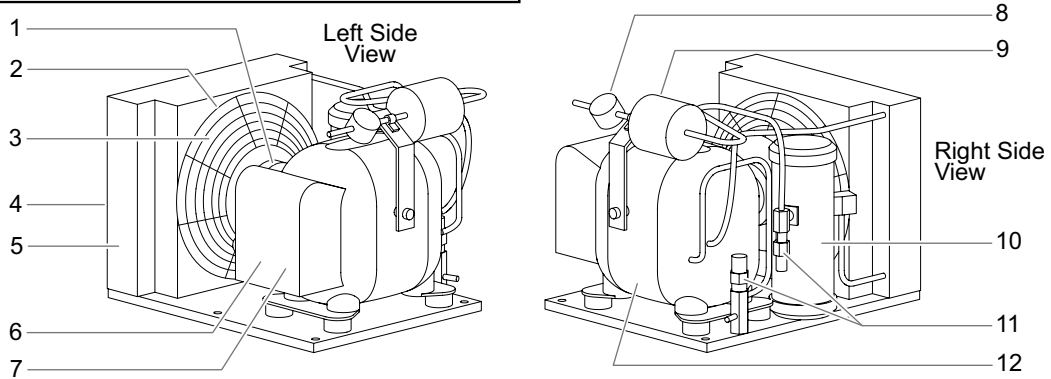
Example: Serial number 9625061151 has a date code of "1151" which indicates the following: 1151



Condensing Unit (FTB, FTBR, FTB-S, and FTBR-S Models)

| Item | Description | Part No. | Qty. |
|------|---|--------------|------|
| 1 | Fan Motor, Condensing Unit 120 V | 03.13.004.00 | 1 |
| | 220–230–240 V | 03.13.043.00 | 1 |
| 2 | Fan Shroud, Condensing Unit | 03.13.014.00 | 1 |
| 3 | Fan Blade, Condensing Unit | 03.13.005.00 | 1 |
| 4 | Air Condenser, Condensing Unit 1/4 hp Compressor | 03.13.006.00 | 1 |
| | 1/3 hp Compressor | 03.13.017.00 | 1 |
| 5 | Condenser Shroud, Condensing Unit | 03.13.029.00 | 1 |
| 6 | Relay, Compressor 1/4 hp Compressor | 03.13.015.00 | 1 |
| | 1/3 hp Compressor, 120 V | 03.13.019.00 | 1 |
| | 1/3 hp Compressor, 220–230–240 V | 03.13.045.00 | 1 |

| Item | Description | Part No. | Qty. |
|------|--|--------------|------|
| 7 | Starter, Compressor 1/4 hp Compressor | 03.13.016.00 | 1 |
| | 1/3 hp Compressor | 03.13.020.00 | 1 |
| | 1/3 hp Compressor 220–230–240 V | 03.13.046.00 | 1 |
| 8 | Sight Glass | 03.13.002.00 | 1 |
| 9 | Filter Drier | 03.13.003.00 | 1 |
| 10 | Accumulator (Receiver) | 03.13.010.00 | 1 |
| 11 | Valve, Service | 03.13.012.00 | 2 |
| 12 | Compressor 1/4 hp | 03.13.013.00 | 1 |
| | 1/3 hp, 120 V | 03.13.018.00 | 1 |
| | 1/3 hp, 220–230–240 V | 03.13.044.00 | 1 |



Control Enclosure

| Item | Description | Part No. | Qty. |
|------|---|---------------|------|
| 1 | Switch, Rocker | 02.19.015.00 | 1 |
| 2 | Controller, Electronic w/ Probe (includes item 3) 120 V | R02.01.375.01 | 1 |
| | 220–230–240 V | R02.01.406.05 | 1 |
| 3 | Temperature Probe | 02.01.387.00 | 1 |
| 4 | Relay 120 V | 02.01.088.00 | 1 |
| | 220–230–240 V | 02.01.105.00 | 1 |
| 5 | Terminal Block | R02.15.030.00 | 2 |

| Item | Description | Part No. | Qty. |
|------|--|----------------|------|
| 6 | Cord Grip (FTB/FTB-S models only) | R02.20.259.00 | 2 |
| 7 | Power Cord ‡ (FTB/FTB-S models only) NEMA 5-15P (120 V) | 02.18.284.00 | 1 |
| | CEE 7/7 Schuko (220–230 V) | 02.18.077.00 | 1 |
| | BS-1363 (220–230–240 V) | 02.18.066.00 | 1 |
| | AS 3112 (240 V) | 02.18.104.00 | 1 |
| 8 | Conversion Kit (includes items 1–5, control box, wiring diagram), 120 V♦ | R00.02.0095.00 | 1 |

‡ Optional Power Cord lengths available.

♦ For units with a date code of 3453661318 or older.

