



Project \_\_\_\_\_

Item # \_\_\_\_\_

Quantity \_\_\_\_\_

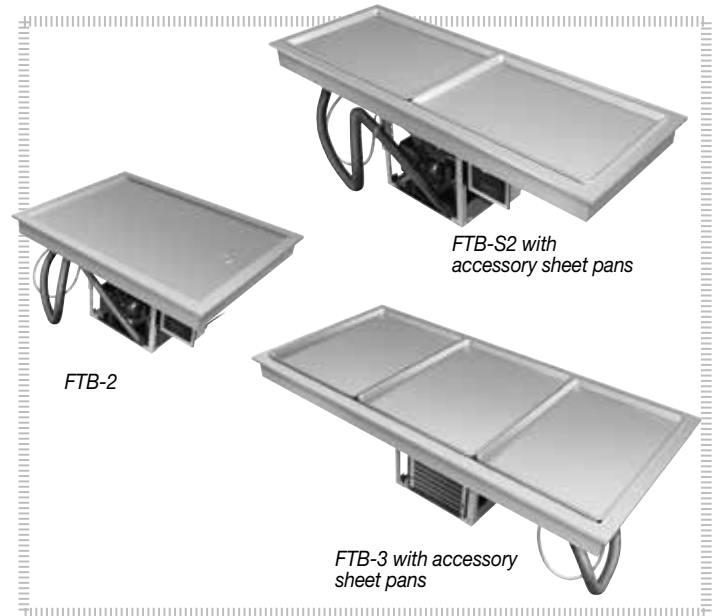
## Drop-In Frost Tops

Models: FTB-1, -2, -3, -S2, -S3

Hatco Drop-in Frost Tops keep pre-chilled beverages, snacks, hors d'oeuvres and side dishes cool and ready to serve. Also available in a Slim Line Series, providing wider access to your customer, regardless of the sneeze guards.

### Standard features

- Not for sale in California, please contact Customer Service for alternate options
- Available in 1-, 2- and 3-pan models, as well as 2- and 3-pan slim configurations
- Accommodates full-size and half-size sheet pans
- NSF 7 approved cold wall construction utilizes R-404A refrigerant keeping food product cold without drying it out
- Auto-defrost is activated through an advanced electronic controller programmed at the customer location
- 1" NPT brass drain (excluding FTB-1)
- Matches the Hatco line of Heated Wells for an integrated look
- The condensing unit, mounted on the center of the unit, rotates 180° (movable in some models)
- Electronic adjustable temperature control is available to mount on either side of the condensing unit or remotely mounted up to 4' (1219 mm) from the unit (cannot be mounted over the condensing coil)
- Mobile condensing unit can be moved in 3" (76 mm) increments in the FTB-2 and 6.5" (165 mm) increments in the FTB-3, -S2, -S3 (see drawing on page 2)
- Long, flexible refrigerant line (ability to pull out condensing unit) for service



### Options (available at time of purchase only)

- Additional Four-Year Parts Only Warranty on Compressor (not available for export voltages)

### Accessories

- Half-Size Pan (18"W x 13"D [457 x 330 mm])
- Full-Size Pan (18"W x 26"D [457 x 660 mm])

**For operation, location and safety information, please refer to the Installation & Operating Manual.**



**HATCO CORPORATION** | P.O. Box 340500 Milwaukee, WI 53234-0500 U.S.A.  
 (800) 558-0607 | (414) 671-6350 | www.hatcocorp.com | support@hatcocorp.com



# Drop-In Frost Tops

Models: FTB-1, FTB-2, FTB-3, FTB-S2, FTB-S3

## Ordering Instructions:

Please specify the following with each order:

### 1. Desired Voltage:

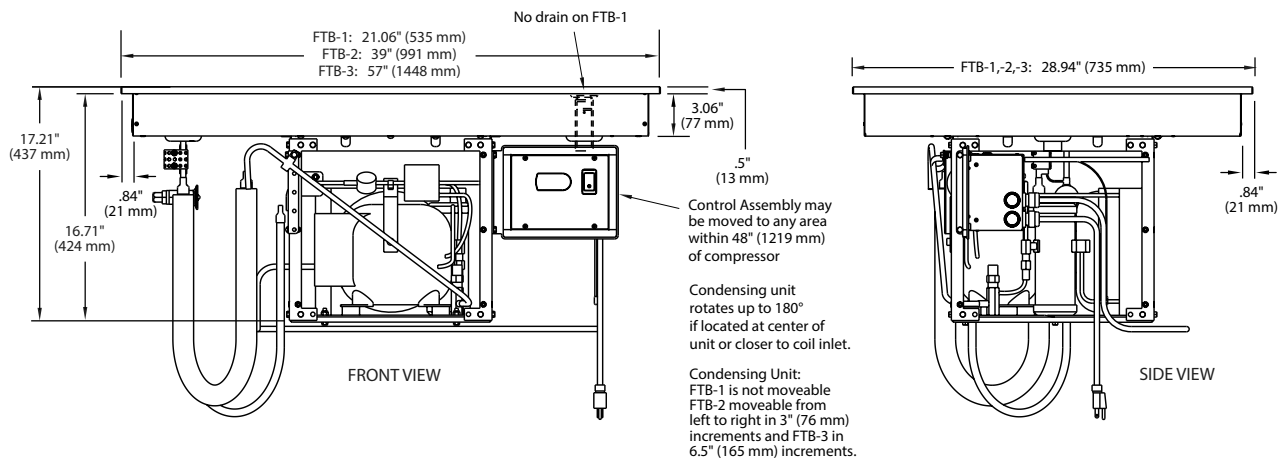
120 or 220-240V

### 2. Number of Full-Size

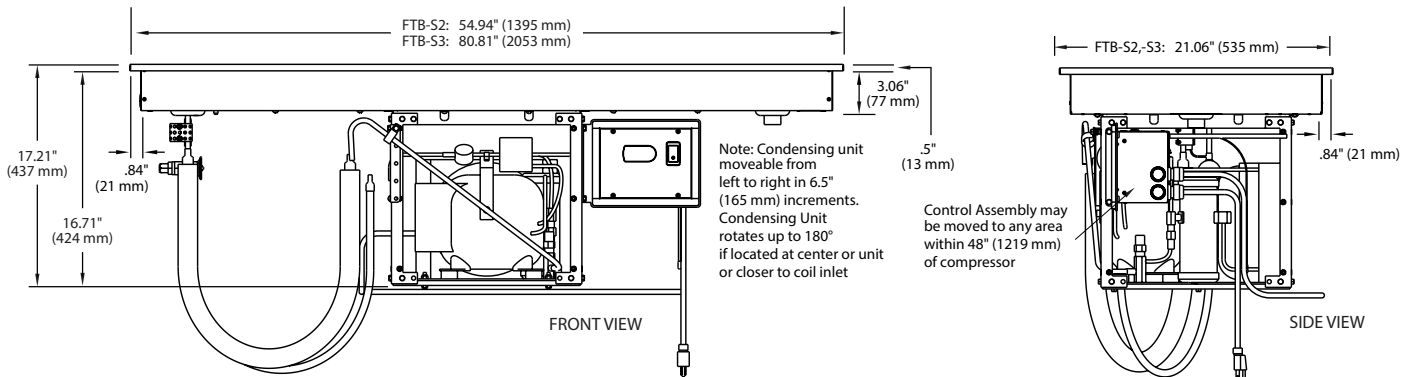
Sheet Pans Accommodated:

1-, 2-, 3-pan as rectangular, sheet pans with Slim or Standard configuration

## Model FTB-1, -2, -3



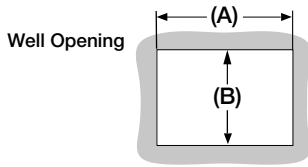
## Model FTB-S2, -S3





# Drop-In Frost Tops

Models: FTB-1, FTB-2, FTB-3, FTB-S2, FTB-S3



## Cutout Dimensions for Drop-In Frost Tops

Model	Minimum Width (A)	Maximum Width (A)	Minimum Depth (B)	Maximum Depth (B)
FTB-1	19.44" (494 mm)	20.125" (511 mm)	27.44" (697 mm)	28" (711 mm)
FTB-2	37.375" (949 mm)	38" (965 mm)	27.31" (694 mm)	28" (711 mm)
FTB-3	55.375" (1407 mm)	56" (1422 mm)	27.31" (694 mm)	28" (711 mm)
FTB-S2	53.31" (1354 mm)	54" (1372 mm)	19.44" (494 mm)	20.125" (511 mm)
FTB-S3	79.19" (2011 mm)	79.875" (2029 mm)	19.44" (494 mm)	20.125" (511 mm)

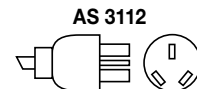
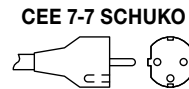
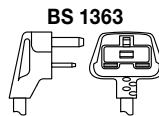
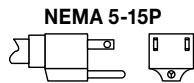
## SPECIFICATIONS Drop-In Frost Tops

The shaded areas contain electrical information for International models

Model†	Dimensions (Width x Depth x Height)	Voltage	HZ	HP Compressor Size	Watts	Amps	Phase	Plug	Ship Weight	
FTB-1	21.06" x 28.94" x 17.21" (535 x 735 x 437 mm)	120	60	1/4	804	6.7	Single	NEMA 5-15P	132 lbs. (60 kg)	
		220/230/240	50	1/3	616/667/744	2.8/2.9/3.1		BS, CEE, AS		
			60		686/749/816	3.1/3.3/3.4		BS1363, CEE		
220	60	686	3.1	BS1363, CEE						
FTB-2	39" x 28.94" x 17.21" (991 x 735 x 437 mm)	120	60	1/4	804	6.7		Single	NEMA 5-15P	180 lbs. (82 kg)
		220/230/240	50	1/3	616/667/744	2.8/2.9/3.1			BS, CEE, AS	
			60		686/749/816	3.1/3.3/3.4			BS1363, CEE	
220	60	686	3.1	BS1363, CEE						
FTB-3	57" x 28.94" x 17.21" (1448 x 735 x 437 mm)	120	60	1/4	804	6.7			Single	NEMA 5-15P
		220/230/240	50	1/3	616/667/744	2.8/2.9/3.1	BS, CEE, AS			
			60		686/749/816	3.1/3.3/3.4	BS1363, CEE			
220	60	686	3.1	BS1363, CEE						
FTB-S2	54.94" x 21.06" x 17.21" (1395 x 535 x 437 mm)	120	60	1/4	804	6.7	Single			NEMA 5-15P
		220/230/240	50	1/3	616/667/744	2.8/2.9/3.1		BS, CEE, AS		
			60		686/749/816	3.1/3.3/3.4		BS1363, CEE		
220	60	686	3.1	BS1363, CEE						
FTB-S3	80.81" x 21.06" x 17.21" (2053 x 535 x 437 mm)	120	60	1/4	804	6.7		Single		NEMA 5-15P
		220/230/240	50	1/3	616/667/744	2.8/2.9/3.1			BS, CEE, AS	
			60		686/749/816	3.1/3.3/3.4			BS1363, CEE	
220	60	686	3.1	BS1363, CEE						

† Models shipped with electronic temperature control, condensing unit, compressor and flexible refrigerant lines to bottom of unit.

## PLUG CONFIGURATIONS



## PRODUCT SPECS Drop-In Frost Tops

The Drop-In Frost Top shall be a Model ... as manufactured by the Hatco Corporation, Milwaukee, WI 53234 U.S.A.

The Frost Top shall be rated at ... watts, ... volts and be ... inches (millimeters) in overall width. It shall utilize R-404A refrigerant and consist

of aluminized steel housing, electronic temperature control, condensing unit, compressor, and flexible refrigerant lines.

Accessories may include sheet pans.

Warranty consists of 24/7 parts and service assistance (U.S. and Canada only).

**HATCO CORPORATION** | P.O. Box 340500 Milwaukee, WI 53234-0500 U.S.A.  
(800) 558-0607 | (414) 671-6350 | www.hatcocorp.com | support@hatcocorp.com