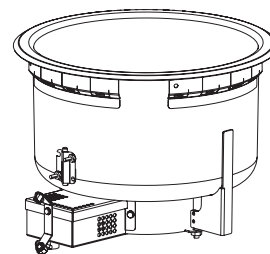
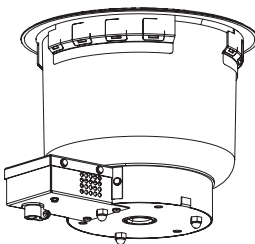
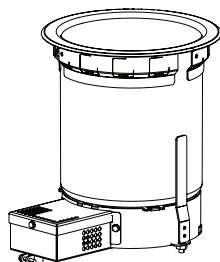
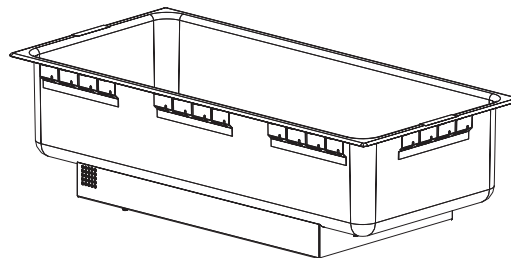
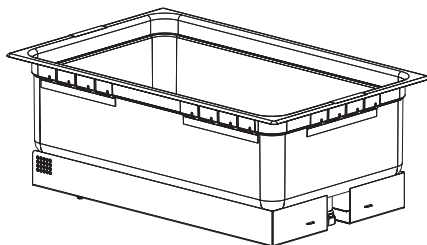




Built-In Heated Wells

HWB Series

<u>Model Name</u>	<u>Page</u>
HWB-4QT, -7QT, and -11QT	2
HWB-FUL and HWB-43	4
Control Boxes	6-10



Replacement Parts List

HATCO BUILT-IN HEATED WELLS

HWB-4QT, HWB-7QT, and
HWB-11QT Models

Model Designation

HWBXX - XD

Heated Well Built-In

RT = Thermostat Control (UR only)

RN = Infinite Switch Control (UR only)

FUL = Full Size Pan

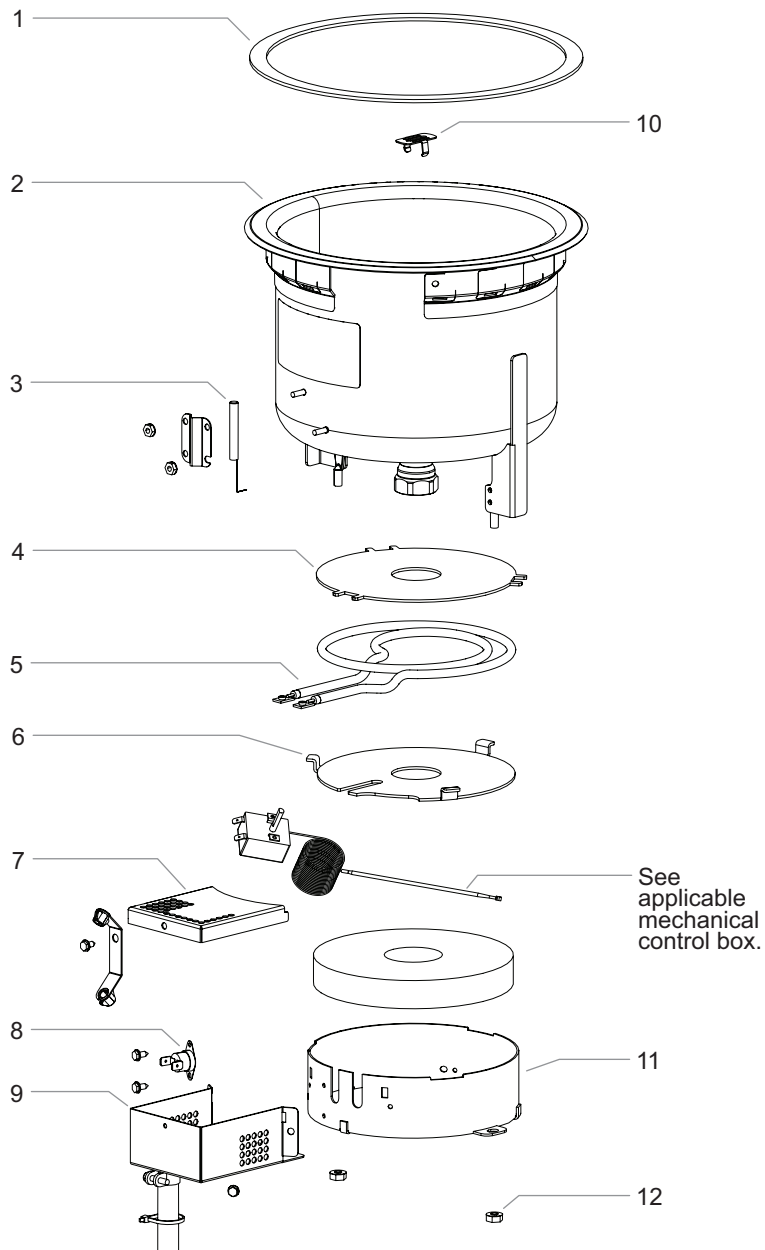
43 = 4/3 Size Pan

4QT = Round 4 Quart (4 L) Pan

7QT = Round 7 Quart (7 L) Pan

11QT = Round 11 Quart (10 L) Pan

Drain Equipped



CAUTION

Use of replacement parts other than those supplied by Hatco Corporation may result in damage to the unit or injury to personnel and will void all warranties.



24 Hour 7 Day Parts and Service Assistance available in the United States and Canada by calling 800-558-0607.



PARTS FOR ROUND WELLS

Item	Description	Part No.	Qty.
1	Gasket *	05.06.046.00	1
2	Pan Assembly, HWB-4QT ‡		
	w/ Drain	R04.42.706.00	1
	w/o Drain	R04.42.705.00	1
	Pan Assembly, HWB-7QT ‡		
	w/ Drain	R04.42.703.00	1
	w/ Drain, Digital Control	R04.42.708.00	1
	w/o Drain	R04.42.707.00	1
	w/o Drain, Digital Control	R04.42.709.00	1
	Pan Assembly, HWB-11QT ‡		
	w/ Drain	R04.42.557.00	1
	w/ Drain, Digital Control	R04.42.711.00	1
	w/o Drain	R04.42.556.00	1
	w/o Drain, Digital Control	R04.42.712.00	1
3	Temperature Probe, Digital Control	02.01.145.00	1
4	Heat Sink	04.42.667.00	1
5	Heating Element		
	120 V, 500 W	R02.08.586.01	1
	120 V, 800 W	R02.08.586.02	1
	208/220 V, 536/600 W	R02.08.586.03	1
	240 V, 600 W	R02.08.586.04	1
	208/220 V, 715/800 W	R02.08.586.05	1
	240 V, 800 W	R02.08.586.06	1

Item	Description	Part No.	Qty.
6	Element Clamp	04.42.668.00	1
7	Connection Cover	04.42.603.00	1
8	Thermostat, High Limit (infinite switch only)	02.16.140.00	1
9	Connection Bracket	04.42.602.00	1
10	Strainer	04.42.018.00	1
11	Element Cover		
	HWB-4QT	04.42.704.00	1
	HWB-7 and -11QT	04.42.619.00	1
12	Nut †	05.04.205.00	2
	Wiring Diagram		
	HWB-4, -7, and -11QT	10-01-481	
	HWB-7 and -11QT w/ ITC	10-01-1100	

* Sold by the inch, 36" needed for HWB-4QT and -7QT models; 48" needed for HWB-11QT.

‡ Units with Date Code "1432" or earlier, contact Service to order replacement parts.

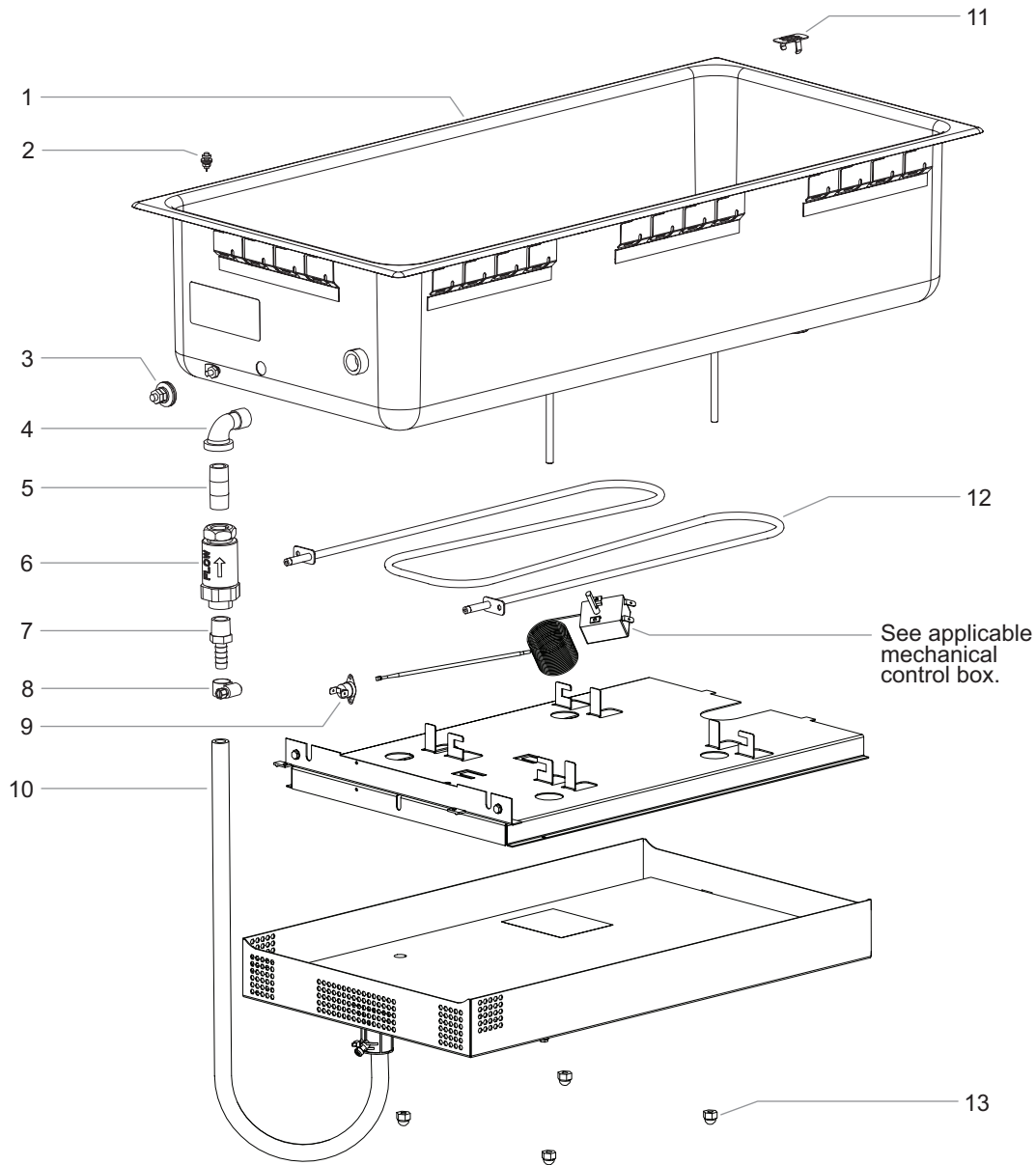
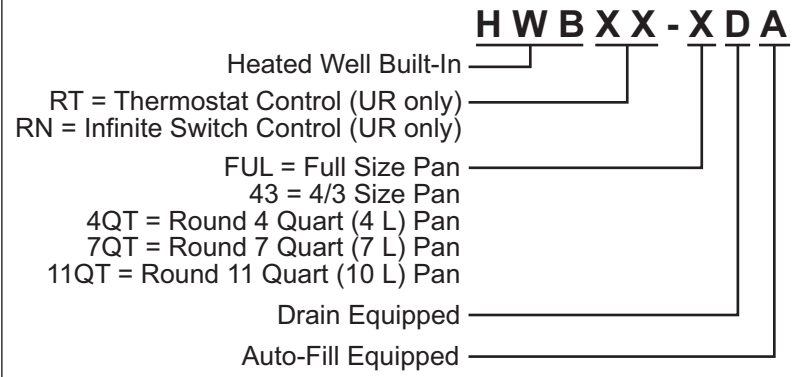
NOTE: The last four digits in a ten digit numerical serial number are the manufacturing date code.

Example: Serial number 9625061151 has a date code of "1151" which indicates the following: 1151

└─ Week Fifty-One
└─ Year 2011

HATCO BUILT-IN HEATED WELLS
HWB-FUL and HWB-43 Models

Model Designation



CAUTION

Use of replacement parts other than those supplied by Hatco Corporation may result in damage to the unit or injury to personnel and will void all warranties.



24 Hour 7 Day Parts and Service Assistance available in the United States and Canada by calling 800-558-0607.



PARTS FOR HWB-FUL

Item	Description	Part No.	Qty.
1	Pan Assembly		
	w/ Drain	R04.42.343.00	1
	w/o Drain	R04.42.342.00	1
	Standard, Auto-Fill †	R04.42.691.00	1
	Right Side, Auto-Fill †	R04.42.692.00	1
	Left Side, Auto-Fill †	R04.42.693.00	1
	w/ Drain, Digital Control	R04.42.379.00	1
	w/o Drain, Digital Control	R04.42.380.00	1
2	Temperature Probe, Digital Control	02.01.296.00	1
3	Low Water Sensor Kit †	R00.02.0047.00	1
4	Elbow †	03.08.001.00	1
5	Nipple, Brass †	03.11.004.00	1
6	Valve, Back-Flow Preventer †	03.40.103.00	1
7	Barb, Straight †	03.40.104.00	1
8	Hose Clamp †	05.04.550.00	1
9	Thermostat, High Limit (infinite switch only)	02.16.139.00	1
10	Tubing * †	03.40.107.00	1

Item	Description	Part No.	Qty.
11	Strainer	04.42.018.00	1
12	Heating Element		
	120 V, 750 W	R02.08.581.01	1
	120 V, 1200 W	R02.08.581.02	1
	208 V, 1200 W	R02.08.581.03	1
	240 V, 1200 W	R02.08.581.04	1
	120 V, 1650 W	R02.08.581.05	1
	208 V, 1650 W	R02.08.581.06	1
	240 V, 1650 W	R02.08.581.07	1
	220 V, 1200 W	R02.08.581.08	1
	220 V, 1650 W	R02.08.581.09	1
13	Nut	05.04.210.00	3-6
	Wiring Diagram		
	Standard	10-01-481	
	Auto-Fill	10-01-549	

* Sold by the foot, 36" and 72" lengths are available.

† Auto-Fill parts only.

PARTS FOR HWB-43

Item	Description	Part No.	Qty.
1	Pan Assembly		
	w/ Drain	R04.42.004.01	1
	w/o Drain	R04.42.004.00	1
	Standard, Auto-Fill †	R04.42.004.03	1
	Right Side, Auto-Fill †	R04.42.004.04	1
	Left Side, Auto-Fill †	R04.42.004.05	1
	w/ Drain, Digital Control	R04.42.004.06	1
	w/o Drain, Digital Control	R04.42.004.07	1
2	Probe, Digital Control	02.01.296.00	1
3	Low Water Sensor Kit †	R00.02.0047.00	1
4	Elbow †	03.08.001.00	1
5	Nipple, Brass †	03.11.004.00	1
6	Valve, Back-Flow Preventer †	03.40.103.00	1
7	Barb, Straight †	03.40.104.00	1
8	Hose Clamp †	05.04.550.00	1
9	Thermostat, High Limit (infinite switch only)	02.16.139.00	1
10	Tubing * †	03.40.107.00	1

Item	Description	Part No.	Qty.
11	Strainer	04.42.018.00	1
12	Heating Element		
	120 V, 750 W	R02.08.581.01	1
	120 V, 1200 W	R02.08.581.02	1
	208 V, 1200 W	R02.08.581.03	1
	240 V, 1200 W	R02.08.581.04	1
	120 V, 1650 W	R02.08.581.05	1
	208 V, 1650 W	R02.08.581.06	1
	240 V, 1650 W	R02.08.581.07	1
	220 V, 1200 W	R02.08.581.08	1
	220 V, 1650 W	R02.08.581.09	1
13	Nut	05.04.210.00	3-6
	Wiring Diagram		
	Standard	10-01-481	
	Auto-Fill	10-01-549	

* Sold by the foot, 36" and 72" lengths are available.

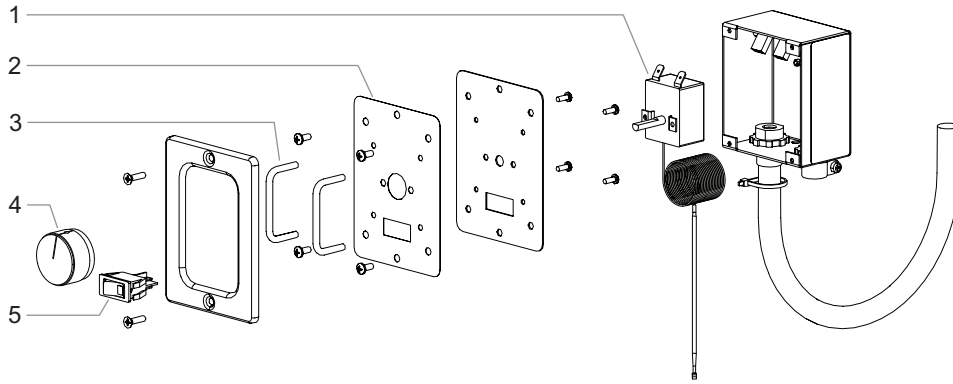
† Auto-Fill parts only.

NOTE: The last four digits in a ten digit numerical serial number are the manufacturing date code.

Example: Serial number 9625061151 has a date code of "1151" which indicates the following: 1151

└─ Week Fifty-One
└─ Year 2011

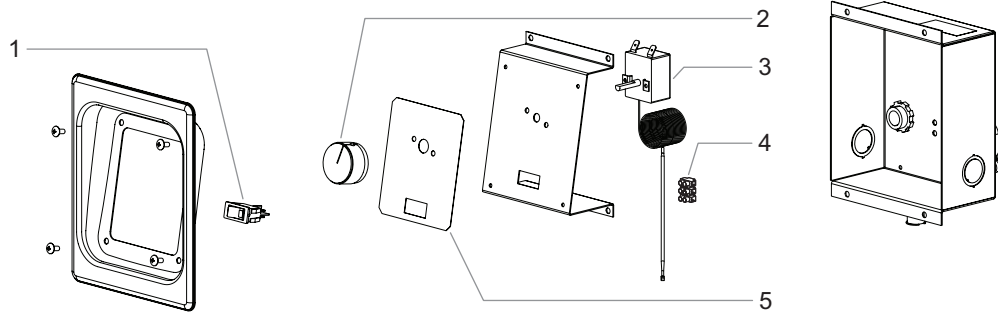
PARTS FOR STANDARD MECHANICAL CONTROL BOX



Item	Description	Part No.	Qty.
1	Thermostatic Control, 608°F		
	48" Capillary	02.16.131.00	1
	96" Capillary	02.16.131.01	1
2	Label, Control	07.03.513.00	1
3	Control Guard	04.42.110.00	1

Item	Description	Part No.	Qty.
4	Control Knob	05.30.020.00	1
5	Rocker Switch		
	120 V	02.19.080.00	1
	208, 220, and 240 V	02.19.081.00	1

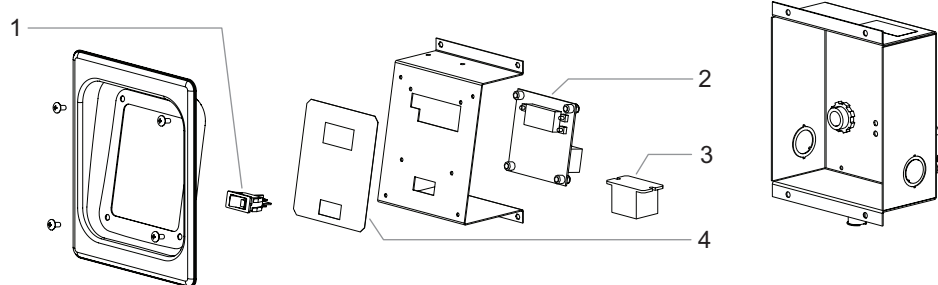
PARTS FOR RECESSED MECHANICAL CONTROL BOX



Item	Description	Part No.	Qty.
1	Rocker Switch		
	120 V	02.19.080.00	1
	208, 220, and 240 V	02.19.081.00	1
2	Control Knob	05.30.020.00	1
3	Thermostatic Control, 608°F		
	48" Capillary	02.16.131.00	1
	96" Capillary	02.16.131.01	1

Item	Description	Part No.	Qty.
4	Terminal Block	R02.15.030.00	1
5	Label, Control	07.03.494.00	1

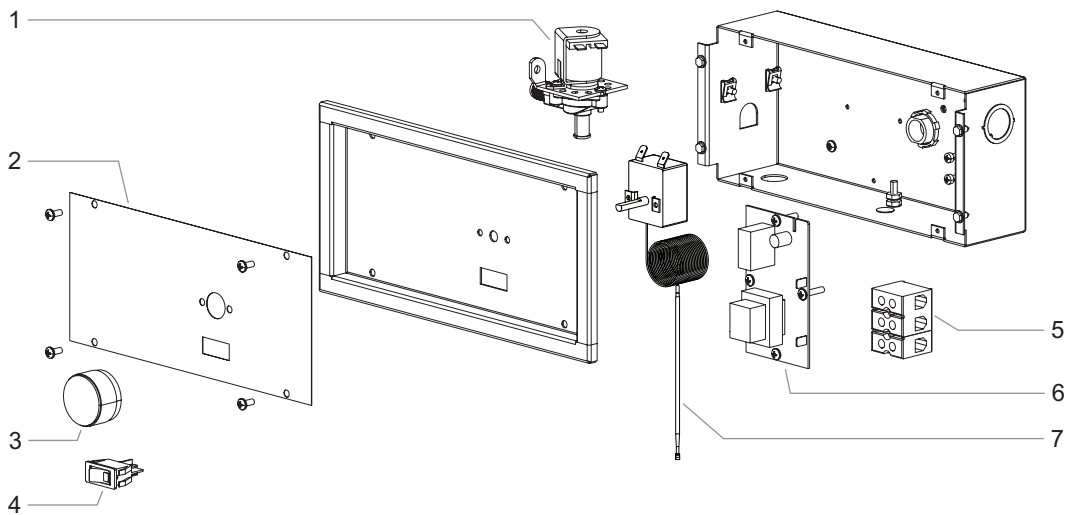
PARTS FOR DIGITAL CONTROL BOX



Item	Description	Part No.	Qty.
1	Rocker Switch		
	120 V	02.19.080.00	1
	208, 220, and 240 V	02.19.081.00	1
2	Electronic Control		
	120 V	02.01.222E.00	1
	208, 220, and 240 V	02.01.295E.00	1

Item	Description	Part No.	Qty.
3	Relay (120 V only)	02.01.088.00	1
4	Label, Control	07.01.312.00	1

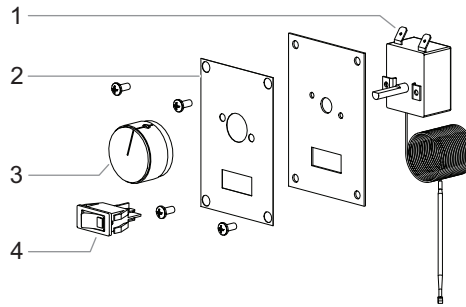
PARTS FOR AUTO-FILL MECHANICAL CONTROL BOX



Item	Description	Part No.	Qty.
1	Solenoid Valve		
	120 V	03.02.048.00	1
	240 V	03.02.048A.00	1
2	Label, Control	07.03.524.00	1
3	Control Knob	05.30.020.00	1
4	Rocker Switch		
	120 V	02.19.080.00	1
	240 V	02.19.081.00	1

Item	Description	Part No.	Qty.
5	Terminal Block	R02.15.030.00	1
6	Low Water Control Board	R02.01.210.00	1
7	Thermostatic Control, 608°F		
	48" Capillary	02.16.131.00	1
	96" Capillary	02.16.131.01	1

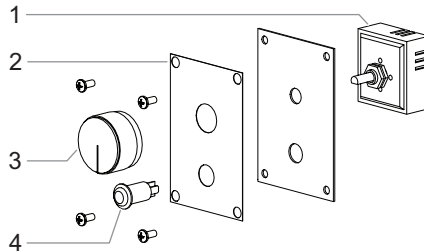
PARTS FOR UR THERMOSTATIC CONTROL



Item	Description	Part No.	Qty.
1	Thermostatic Control, 608°F		
	48" Capillary	02.16.131.00	1
	96" Capillary	02.16.131.01	1
2	Label, UR Control	07.03.510.00	1

Item	Description	Part No.	Qty.
3	Control Knob	05.30.020.00	1
4	Rocker Switch		
	120 V	02.19.080.00	1
	208 V and 220 V	02.19.081.00	1

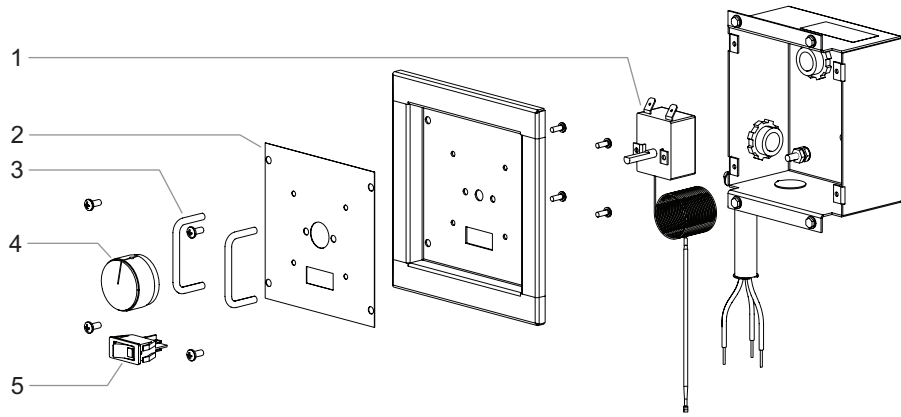
PARTS FOR UR INFINITE CONTROL



Item	Description	Part No.	Qty.
1	Infinite Switch		
	120 V	R02.19.018.00	1
	208 V	R02.19.017.00	1
	240 V	R02.19.019.00	1
2	Label, UR Control	07.03.509.00	1

Item	Description	Part No.	Qty.
3	Control Knob	05.30.020.00	1
4	Pilot Light		
	120 V	02.19.153.00	1
	240 V	02.19.152.00	1

PARTS FOR WM MECHANICAL CONTROL BOX



Item Description	Part No.	Qty.
1 Thermostatic Control, 608°F		
48" Capillary	02.16.131.00	1
96" Capillary	02.16.131.01	1
2 Label, Control	07.03.635.00	1
3 Control Guard	04.42.110.00	1

Item Description	Part No.	Qty.
4 Control Knob	05.30.020.00	1
5 Rocker Switch		
120 V	02.19.080.00	1
208, 220, and 240 V	02.19.081.00	1

AUTHORIZED PARTS DISTRIBUTORS • AUTORISÉS DISTRIBUTEURS DE PIÈCES

ALABAMA

Jones McLeod Appl. Svc.
Birmingham 205-251-0159

ARIZONA

Service Solutions Group
Phoenix 602-234-2443

Byassee Equipment Co.
Phoenix 602-252-0402

CALIFORNIA

Industrial Electric
Commercial Parts & Service, Inc.
Huntington Beach 714-379-7100

Chapman Appl. Service
San Diego 619-298-7106

P & D Appliance
Commercial Parts & Service, Inc.
S. San Francisco 650-635-1900

COLORADO

Hawkins Commercial Appliance
Englewood 303-781-5548

FLORIDA

Whaley Foodservice Repair
Jacksonville 904-725-7800

3Wire Nass Service Co., Inc.
Orlando 407-425-2681

B.G.S.I.
Pompano Beach 954-971-0456

Comm. Appliance Service
Tampa 813-663-0313

GEORGIA

TWC Services
Mableton 770-438-9797

Heritage Service Group
Norcross 866-388-9837

Southeastern Rest. Svc.
Norcross 770-446-6177

HAWAII

Burney's Comm. Service, Inc.
Honolulu 808-848-1466

Food Equip Parts & Service
Honolulu 808-847-4871

ILLINOIS

Parts Town
Lombard 708-865-7278

Eichenauer Elec. Service
Decatur 217-429-4229

Midwest Elec. Appl. Service
Elmhurst 630-279-8000

Cone's Repair Service
Moline 309-797-5323

INDIANA

GCS Service
Indianapolis 800-727-8710

IOWA

Goodwin Tucker Group
Des Moines 515-262-9308

KENTUCKY

Service Solutions Group
Lexington 859-254-8854

Service Solutions Group
Louisville 502-451-5411

LOUISIANA

Chandlers Parts & Service
Baton Rouge 225-272-6620

MARYLAND

Electric Motor Service
Baltimore 410-467-8080

GCS Service
Silver Spring 301-585-7550

MASSACHUSETTS

Ace Service Co., Inc.
Needham 781-449-4220

MICHIGAN

Bildons Appliance Service
Detroit 248-478-3320

Commercial Kitchen Service
Bay City 989-893-4561

Midwest Food Equip. Service
Grandville 616-261-2000

MINNESOTA

GCS Service
Minnetonka 800-822-2303
x20365

MISSOURI

General Parts
Kansas City 816-421-5400

Commercial Kitchen Services
St. Louis 314-890-0700

Kaemmerlen Parts & Service
St. Louis 314-535-2222

NEBRASKA

Anderson Electric
Omaha 402-341-1414

NEVADA

Burney's Commercial
Las Vegas 702-736-0006

Hi. Tech Commercial Service
N. Las Vegas 702-649-4616

NEW JERSEY

Jay Hill Repair
Fairfield 973-575-9145

Service Plus
Flanders 973-691-6300

NEW YORK

Acme American Repairs, Inc.
Brooklyn 718-456-6544

Alpro Service Co.
Brooklyn 718-386-2515

Appliance Installation
Buffalo 716-884-7425

Duffy's Equipment Services, Inc.
Buffalo 800-836-1014

3Wire Northern
Plattsburgh 800-634-5005

Duffy's Equipment Services, Inc.
Saugoit 800-836-1014

J.B. Brady, Inc.
Syracuse 315-422-9271

NORTH CAROLINA

Authorized Appliance
Charlotte 704-377-4501

OHIO

Akron/Canton Comm. Svc. Inc.
Akron 330-753-6634

Service Solutions Group
Cincinnati 513-772-6600

Commercial Parts and Service
Columbus 614-221-0057

Electrical Appl. Repair Service
Brooklyn Heights 216-459-8700

E. A. Wichman Co.
Toledo 419-385-9121

OKLAHOMA

Hagar Rest. Service, Inc.
Oklahoma City 405-235-2184

Krueger, Inc.
Oklahoma City 405-528-8883

OREGON

Ron's Service, Inc.
Portland 503-624-0890

PENNSYLVANIA

Elmer Schultz Services
Philadelphia 215-627-5401

FAST Comm. Appl. Service
Philadelphia 215-288-4800

Appliance Installation & Service
Pittsburgh 412-809-0244

K & D Service Co.
Harrisburg 717-236-9039

Electric Repair Co.
Reading 610-376-5444

RHODE ISLAND

Marshall Electric Co.
Providence 401-331-1163

SOUTH CAROLINA

Whaley Foodservice Repair
Lexington 803-996-9900

TENNESSEE

Camp Electric
Memphis 901-527-7543

TEXAS

GCS Service
Fort Worth 800-433-1804

Armstrong Repair Service
Houston 713-666-7100

Cooking Equipment Specialist
Mesquite 972-686-6666

Commercial Kitchen Repair Co.
San Antonio 210-735-2811

UTAH

La Monica's Rest. Equip. Service
Murray 801-263-3221

VIRGINIA

Daubers
Norfolk 757-855-4097

Daubers
Springfield 703-866-3600

WASHINGTON

3Wire Restaurant Appliance
Seattle 800-207-3146

WISCONSIN

A.S.C., Inc.
Madison 608-246-3160

A.S.C., Inc.
Milwaukee 414-543-6460

CANADA

ALBERTA

Key Food Equipment Service
Edmonton 780-438-1690

BRITISH COLUMBIA

Key Food Equipment Service
Vancouver 604-433-4484

Key Food Equipment Service
Victoria 250-920-4888

MANITOBA

Air Rite, Inc.
Winnipeg 204-895-2300

NEW BRUNSWICK

EMR Services, Ltd.
Moncton 506-855-4228

ONTARIO

R.G. Henderson Ltd.
Toronto 416-422-5580

Choquette - CKS, Inc.
Ottawa 613-739-8458

QUÉBEC

Choquette - CKS, Inc.
Montreal 514-722-2000

Choquette - CKS, Inc.
Québec City 418-681-3944

UNITED KINGDOM

Group
Northants +44(0)1933 665313

HATCO CORPORATION
P.O. Box 340500
Milwaukee, WI 53234-0500 U.S.A.
800-558-0607 414-671-6350
Parts and Service Fax 800-690-2966
International Fax 414-671-3976
partsandservice@hatcocorp.com
www.hatcocorp.com