

hatcocorp.com

Register Online!
(see page 2)

S'inscrire en ligne!
(voir page 11)



Toast-Qwik®

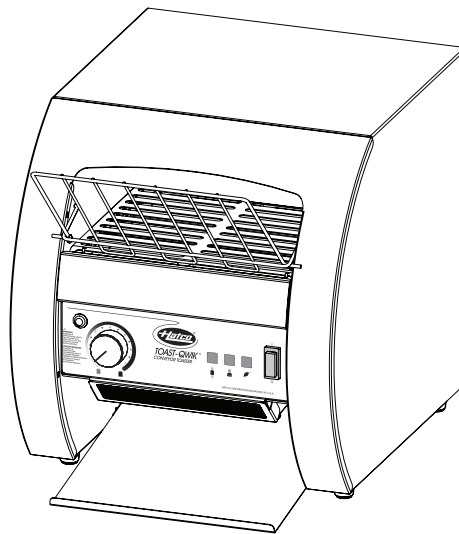
Conveyor Toasters

Grille-pain à convoyeur

TQ3-10 Series/Série

Installation and Operating Manual

Manuel d'installation et d'utilisation



⚠ WARNING

Do not operate this equipment unless you have read and understood the contents of this manual! Failure to follow the instructions contained in this manual may result in serious injury or death. This manual contains important safety information concerning the maintenance, use, and operation of this product. If you're unable to understand the contents of this manual, please bring it to the attention of your supervisor. Keep this manual in a safe location for future reference.

English = p 2

⚠ ADVERTENCIA

No opere este equipo al menos que haya leído y comprendido el contenido de este manual! Cualquier falla en el seguimiento de las instrucciones contenidas en este manual puede resultar en un serio lesión o muerte. Este manual contiene importante información sobre seguridad concerniente al mantenimiento, uso y operación de este producto. Si usted no puede entender el contenido de este manual por favor pregunte a su supervisor. Almacenar este manual en una localización segura para la referencia futura.

⚠ AVERTISSEMENT

Ne pas utiliser cet équipement sans avoir lu et compris le contenu de ce manuel ! Le non-respect des instructions contenues dans ce manuel peut entraîner de graves blessures ou la mort. Ce manuel contient des informations importantes concernant l'entretien, l'utilisation et le fonctionnement de ce produit. Si vous ne comprenez pas le contenu de ce manuel, veuillez le signaler à votre supérieur. Conservez ce manuel dans un endroit sûr pour pouvoir vous y référer plus tard.

Français = p 11

Important Owner Information.....2
Introduction.....2
Important Safety Information3
Model Description4
 All Models4
 TQ3-10 Models4
Model Designation4
Specifications5
 Plug Configurations5
 Electrical Rating Chart.....5
 Dimensions5

Installation.....6
 General.....6
Operation.....7
 General.....7
Maintenance.....8
 General.....8
 Daily Cleaning8
Troubleshooting Guide9
Options and Accessories9
Limited Warranty10

IMPORTANT OWNER INFORMATION

Record the model number, serial number, voltage, and purchase date of the unit in the spaces below (specification label located on the side of the unit). Please have this information available when calling Hatco for service assistance.

Model No. _____
Serial No. _____
Voltage _____
Date of Purchase _____

Business Hours: 7:00 AM to 5:00 PM Central Standard Time (CST)
(Summer Hours: June to September—
7:00 AM to 5:00 PM CST Monday–Thursday
7:00 AM to 4:00 PM CST Friday)

Telephone: 800-558-0607; 414-671-6350

E-mail: support@hatcocorp.com



24 Hour 7 Day Parts and Service Assistance available in the United States and Canada by calling 800-558-0607.

Additional information can be found by visiting our web site at www.hatcocorp.com.

Register your unit!

Completing online warranty registration will prevent delay in obtaining warranty coverage. Access the Hatco website at www.hatcocorp.com, select the *Parts & Service* pull-down menu, and click on "Warranty Registration".

INTRODUCTION

The Hatco Toast-Qwik® Conveyor Toaster is specially designed to accelerate the toasting operation. Products pass through a heating chamber for rapid and thorough toasting. Moisture and sugar content and thickness of bread product effect the ability to achieve the perfect toasted product. Utilizing conveyor speed, not temperature, to determine toasting color, allows for instant adjustment of toasting time.

Hatco toasters are built with quality to meet the demands of foodservice operations and provide years of trouble-free performance. In addition to the standard warranty, the TQ3-10 series serpentine metal-sheathed tubular heating elements have a 2 year (parts only) warranty against breakage and burnout.

The Hatco Toast-Qwik Conveyor Toaster is a product of extensive research and field testing. The materials used were selected for maximum durability, attractive appearance, and optimum performance. Every unit is inspected and tested thoroughly prior to shipment.

This manual provides the installation, safety, and operating instructions for the Hatco Toast-Qwik Conveyor Toaster. Hatco recommends all installation, operating, and safety instructions appearing in this manual be read prior to installation or operation of the unit.

Safety information that appears in this manual is identified by the following signal word panels:



WARNING indicates a hazardous situation which, if not avoided, could result in death or serious injury.



CAUTION indicates a hazardous situation which, if not avoided, could result in minor or moderate injury.



NOTICE is used to address practices not related to personal injury.



Read the following important safety information before using this equipment to avoid serious injury or death and to avoid damage to equipment or property.

WARNING

ELECTRIC SHOCK HAZARD:

- Plug unit into a properly grounded electrical receptacle of the correct voltage, size, and plug configuration. If plug and receptacle do not match, contact a qualified electrician to determine and install proper voltage and size electrical receptacle.
- Turn OFF power switch, unplug power cord, and allow unit to cool before performing any cleaning, adjustments, maintenance, or attempting to clear a jam.
- DO NOT submerge or saturate with water. Unit is not waterproof. Do not operate if unit has been submerged or saturated with water.
- Unit is not weatherproof. Locate unit indoors where ambient air temperature is a minimum of 70°F (21°C) and a maximum of 85°F (29°C).
- Do not steam clean or use excessive water on unit.
- This unit is not “jet-proof” construction. Do not use jet-clean spray to clean this unit.
- Do not pull unit by power cord.
- Discontinue use if power cord is frayed or worn.
- Do not attempt to repair or replace a damaged power cord. Cord must be replaced by Hatco, an Authorized Hatco Service Agent, or a person with similar qualifications.
- This unit must be serviced by qualified personnel only. Service by unqualified personnel may lead to electric shock or burn.
- Never insert a knife, fork, or similar object into toasting chamber.
- Do not pick up the toaster by inserting fingers into the toaster feed opening.
- Do not clean unit when it is energized or hot.
- Do not allow liquids to spill into unit.
- Use only Genuine Hatco Replacement Parts when service is required. Failure to use Genuine Hatco Replacement Parts will void all warranties and may subject operators of the equipment to hazardous electrical voltage, resulting in electrical shock or burn. Genuine Hatco Replacement Parts are specified to operate safely in the environments in which they are used. Some aftermarket or generic replacement parts do not have the characteristics that will allow them to operate safely in Hatco equipment.

EXPLOSION HAZARD: Do not store or use gasoline or other flammable vapors or liquids in the vicinity of this or any other appliance.

Do not operate this unit with an external timer or remote control system.

WARNING

FIRE HAZARD:

- Locate unit a minimum of 1" (25 mm) from combustible walls and materials. If safe distances are not maintained, combustion or discoloration could occur.
- Do not place anything on top of toaster. Do not place toaster near or underneath curtains or other combustible materials. Items near or on top of toaster could catch fire causing injury and/or damage to the toaster.
- In case of fire, disconnect toaster from power source immediately. This allows unit to cool, making it easier and safer to put out fire.

Make sure all operators have been instructed on the safe and proper use of the unit.

This unit is not intended for use by children or persons with reduced physical, sensory, or mental capabilities. Ensure proper supervision of children and keep them away from the unit.

This unit has no “user-serviceable” parts. If service is required on this unit, contact an Authorized Hatco Service Agent or contact the Hatco Service Department at 800-558-0607 or 414-671-6350.

CAUTION

BURN HAZARD:

- Some exterior surfaces on unit will get hot. Use caution when touching these areas.
- Do not remove crumb tray for cleaning until toaster is cool.

Locate unit at proper counter height in an area that is convenient for use. The location should be level to prevent unit or its contents from falling accidentally and strong enough to support the weight of unit and contents.

Always operate toaster with crumb tray installed.

If Warning Light comes on, unit is malfunctioning. Turn off or disconnect unit from power supply and have unit serviced by a qualified technician.

Toasting of coated or buttered products such as garlic bread, cheese sandwiches, and sweet rolls is NOT recommended. Residue will reduce toaster performance and could ignite inside toaster. Using toaster with food products listed above will void unit warranty.

NOTICE

Use non-abrasive cleaners and cloths only. Abrasive cleaners and cloths could scratch finish of unit, marring its appearance and making it susceptible to soil accumulation.

Do not locate unit in an area subject to temperatures above 85°F (29°C) or grease from grills, fryers, etc. Excessive temperatures and grease could cause damage to unit.

Do not locate toaster in an area that restricts air flow around front or rear of unit.

Do not locate toaster in direct discharge path of air conditioning vent or makeup air vent.

Submerging or saturating unit with water will damage the unit and void unit warranty.

NOTICE

Damage to any countertop material caused by heat generated from Hatco equipment is not covered under the Hatco warranty. Contact manufacturer of countertop material for application information.

Do not lay unit on the side with the control panel. Damage to the unit could occur.

This unit is intended for commercial use only — NOT for household use.

Clean unit daily to avoid malfunctions and maintain sanitary operation.

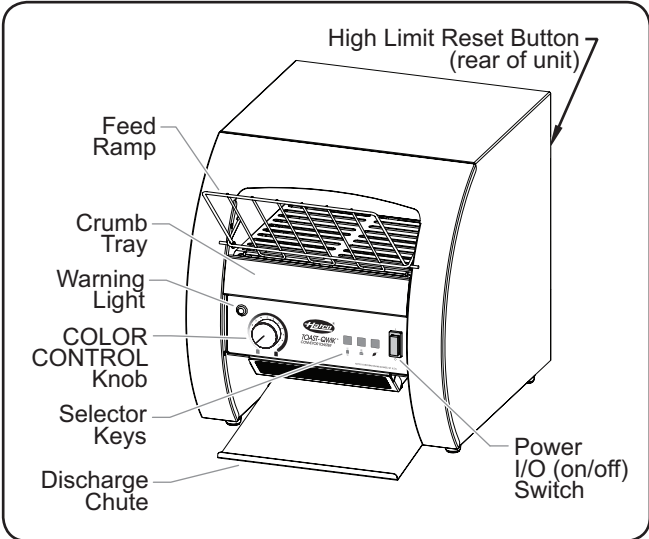
MODEL DESCRIPTION

All Models

All Toast-Qwik® Conveyor Toasters are fast, reliable, and versatile. Toast-Qwik toasters feature long lasting, serpentine metal-sheathed heating elements, a permanently lubricated conveyor motor, and three selector keys. The selector keys are used to put the toaster into Bread mode, Bun mode, or Power Save mode, depending on which key is pressed. Every unit is shipped with 1" (25 mm) adjustable legs, a feed ramp, a removable crumb tray, a discharge chute, and an over-temperature warning light.

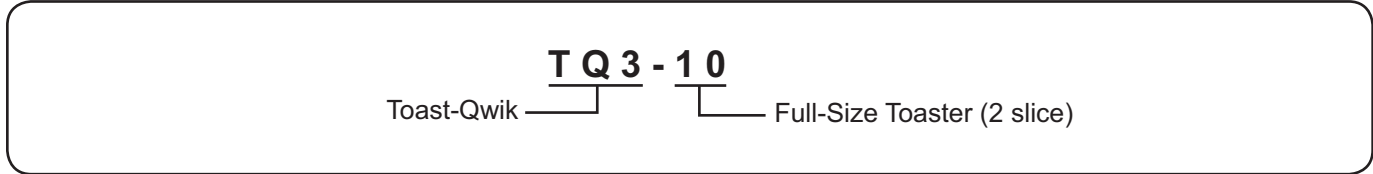
Model TQ3-10

Model TQ3-10 is a two-slice toaster that allows for toasting of bread products up to 1-1/2" (38 mm) thick and 9-5/8" (245 mm) wide.



Model TQ3-10

MODEL DESIGNATION



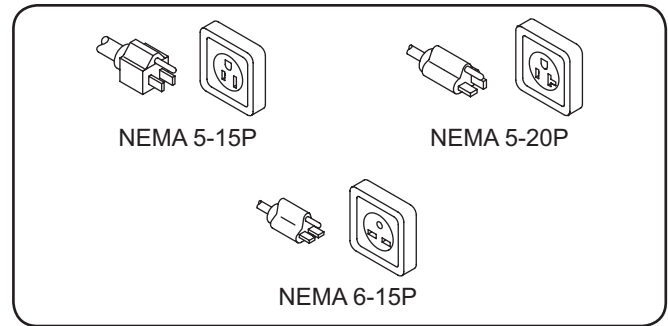
Plug Configurations

Units are supplied from the factory with an electrical cord and plug. Plugs are supplied according to the application.



ELECTRIC SHOCK HAZARD: Plug unit into a properly grounded electrical receptacle of the correct voltage, size, and plug configuration. If plug and receptacle do not match, contact a qualified electrician to determine and install proper voltage and size electrical receptacle.

NOTE: The specification label is located on the side of the unit. See label for serial number and verification of unit electrical information.



Plug Configurations

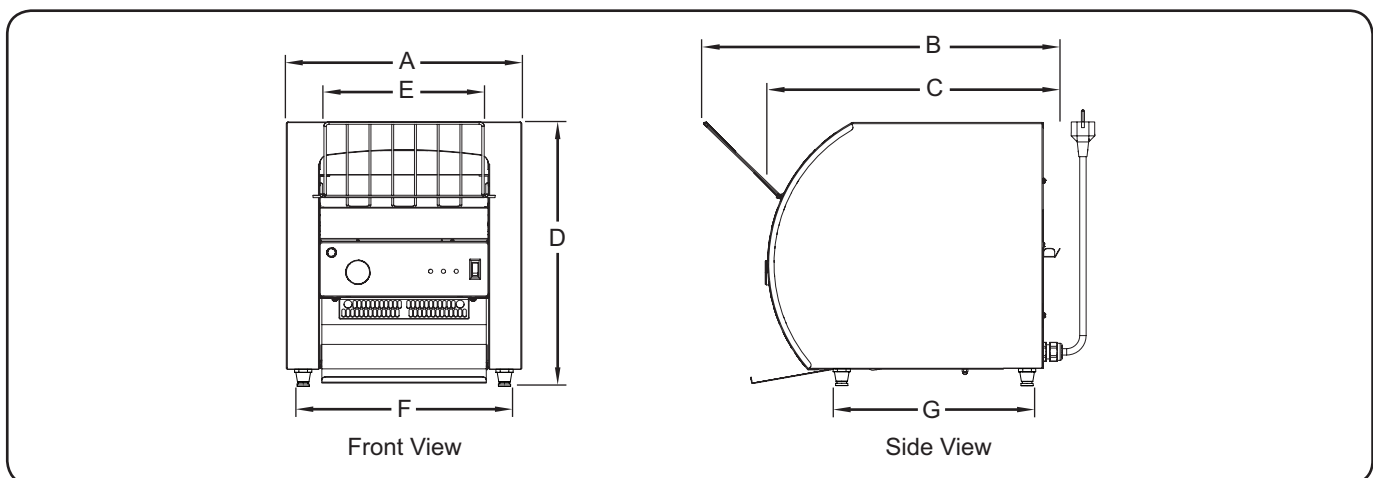
NOTE: Receptacle not supplied by Hatco.

Electrical Rating Chart

Model	Voltage	Hertz	Watts	Amps	Plug Configuration	Shipping Weight
TQ3-10	120	50/60	1780	14.8	NEMA 5-15P, NEMA 5-20P	41 lbs. (19 kg)
	208			8.6	NEMA 6-15P	
	240			7.4		

Dimensions

Model	Width (A)	Overall Depth (B)	Unit Depth (C)	Height (D)	Chamber Width (E)	Footprint Width (F)	Footprint Depth (G)
TQ3-10	14-1/2" (368 mm)	22-1/4" (564 mm)	18-1/8" (460 mm)	16-3/16" (411 mm)	10-3/8" (264 mm)	13-1/8" (333 mm)	12-3/16" (309 mm)



General

The Toast-Qwik® Conveyor Toaster is shipped with all components pre-assembled. Care should be taken when unpacking the shipping carton to avoid damage to the unit and the components enclosed.

WARNING

ELECTRIC SHOCK HAZARD: Unit is not weatherproof. Locate unit indoors where ambient air temperature is a minimum of 70°F (21°C).

EXPLOSION HAZARD: Do not store or use gasoline or other flammable vapors or liquids in the vicinity of this or any other appliance.

FIRE HAZARD:

- Locate unit a minimum of 1" (25 mm) from combustible walls and materials. If safe distances are not maintained, combustion or discoloration could occur.
- Do not place anything on top of toaster. Do not place toaster near or underneath curtains or other combustible materials. Items near or on top of toaster could catch fire causing injury and/or damage to the toaster.

NOTICE

Do not locate toaster in an area that restricts air flow around front or rear of unit.

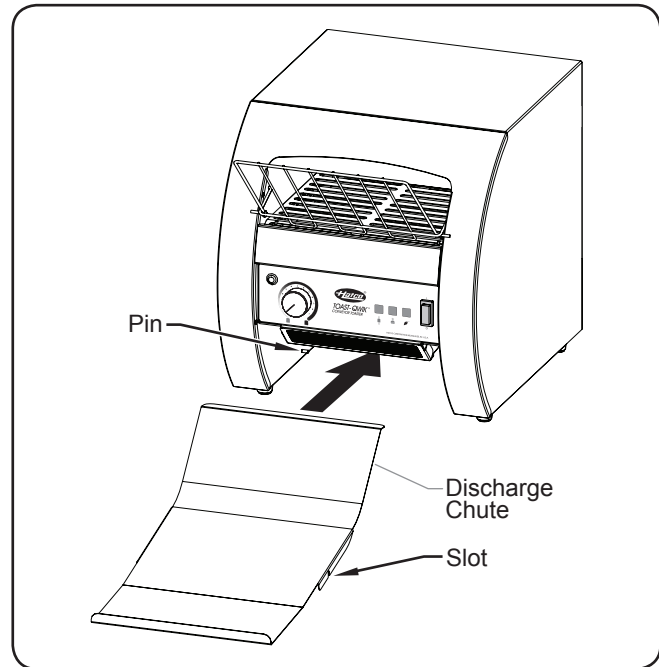
Do not locate toaster in direct discharge path of air conditioning vent or makeup air vent.

1. Remove the unit from the carton.

NOTE: To prevent delay in obtaining warranty coverage, complete online warranty registration. See the IMPORTANT OWNER INFORMATION section for details.

2. Remove tape and protective packaging from all surfaces of the unit.
3. Place the unit in the desired location.
 - Locate the unit in an area where the ambient air temperature is constant and a minimum of 70°F (21°C). Avoid areas that may be subject to active air movements or currents (i.e., near exhaust fans/hoods, air conditioning ducts, and exterior doors).
 - Make sure the unit is at the proper counter height in an area convenient for use.
 - Make sure the countertop is level and strong enough to support the weight of the unit and food product.
 - Make sure all the feet on the bottom of the unit are positioned securely on the countertop.

4. Install the discharge chute.
 - a. Slide the discharge chute underneath the toaster.
 - b. Angle the curved end of the chute up slightly and align the toaster pins into the slots (one on each side).



Installing the Discharge Chute

General

The Toast-Qwik Conveyor Toaster is designed for ease of operation. Perform the following procedure to operate the toaster.

WARNING

Read all safety messages in the **IMPORTANT SAFETY INFORMATION** section before operating this equipment.

CAUTION

Always operate toaster with crumb tray installed.

NOTICE

Damage to any countertop material caused by heat generated from Hatco equipment is not covered under the Hatco warranty. Contact manufacturer of countertop material for application information.

1. Plug the unit into a properly grounded electrical receptacle of the correct voltage, size, and plug configuration. See the SPECIFICATIONS section for details.
2. Turn Power I/O (on/off) Switch to the I (on) position.
3. Press the appropriate selector key for the desired toasting setting. Once a selection is made, the indicator light above the key will illuminate.
 - To toast both sides of the bread, press the “Bread” (☪) key.
 - To toast the top of the bread only, press the “Buns” (☺) key.
4. Turn the Color Control knob to the lightest position while the unit heats up.

NOTE: Allow approximately 15 to 20 minutes for a warm-up period.

CAUTION

BURN HAZARD: Some exterior surfaces on unit will get hot. Use caution when touching these areas.

5. After warm-up period, set the Color Control knob to the medium position and toast two slices of bread product. Re-adjust the Color Control knob as necessary to reach the desired toast color.

NOTE: To toast moist products such as English muffins, rye bread, or whole wheat, slow the conveyor by turning the Color Control knob to a darker setting (clockwise).

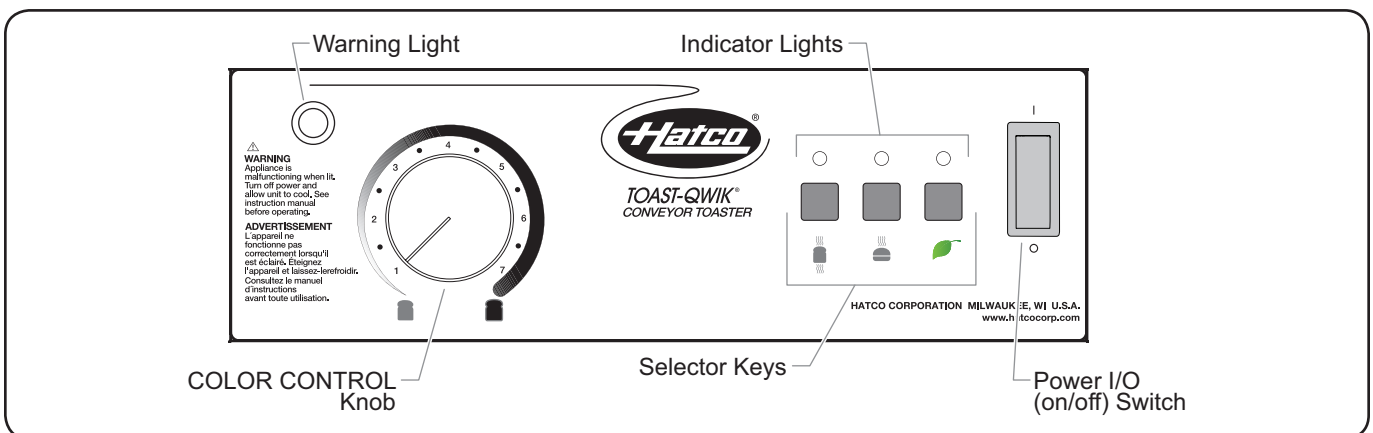
All TQ3 series toasters can be put into a Power Save mode by pressing the Power Save (🍃) key. When pressed, the conveyor will temporarily speed up for approximately four seconds to eject toast from the unit. The toaster will operate at 50% power in Power Save mode.

NOTE: To place toaster back into full operation, press the ☪ or ☺ key. The unit will be back up and ready for toasting within 5 minutes.

CAUTION

Toasting of coated or buttered products such as garlic bread, cheese sandwiches, and sweet rolls is NOT recommended. Residue will reduce toaster performance and could ignite inside toaster. Using toaster with the food products listed above will void unit warranty.

NOTE: If the Warning Light on the control panel comes on, the unit may be overheating due to fan failure/blockage. Turn off and unplug the unit. Contact an Authorized Service Agent or Hatco for assistance.



Control Panel

General

The Toast-Qwik® Conveyor Toaster is designed for maximum durability and performance with minimum maintenance.

NOTE: The conveyor gear motor and conveyor system are permanently lubricated and require no lubrication.

⚠ WARNING

ELECTRIC SHOCK HAZARD:

- Turn off power switch, unplug power cord, and allow unit to cool before performing any cleaning, adjustments, maintenance, or attempting to clear a jam.
- **DO NOT** submerge or saturate with water. Unit is not waterproof. Do not operate if unit has been submerged or saturated with water.
- Do not steam clean or use excessive water on unit.
- This unit is not “jet-proof” construction. Do not use jet-clean spray to clean this unit.
- Do not clean unit when it is energized or hot.
- Do not allow liquids to spill into unit.
- Use only Genuine Hatco Replacement Parts when service is required. Failure to use Genuine Hatco Replacement Parts will void all warranties and may subject operators of the equipment to hazardous electrical voltage, resulting in electrical shock or burn. Genuine Hatco Replacement Parts are specified to operate safely in the environments in which they are used. Some aftermarket or generic replacement parts do not have the characteristics that will allow them to operate safely in Hatco equipment.

This unit has no “user-serviceable” parts. If service is required on this unit, contact an Authorized Hatco Service Agent or contact the Hatco Service Department at 800-558-0607 or 414-671-6350.

Daily Cleaning

To preserve the bright finish of the unit it is recommended that the exterior surfaces be cleaned daily with a damp cloth.

NOTICE

Use non-abrasive cleaners and cloths only. Abrasive cleaners and cloths could scratch finish of unit, marring its appearance and making it susceptible to soil accumulation.

Damage to any countertop material caused by heat generated from Hatco equipment is not covered under the Hatco warranty. Contact manufacturer of countertop material for application information.

Submerging or saturating unit with water will damage the unit and void unit warranty.

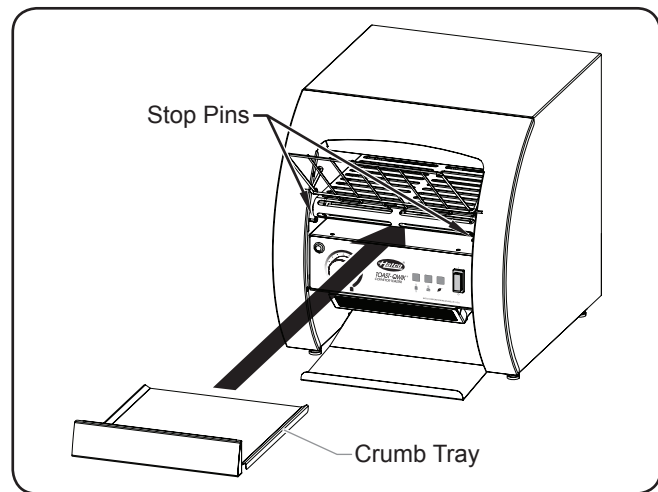
⚠ CAUTION

Do not remove the crumb tray for cleaning until toaster is cool.

1. Remove and empty the crumb tray.
2. Remove and clean the crumb tray with warm water and a mild detergent. Rinse with water.
 - Allow the crumb tray to air dry before placing back into the toaster.
3. Remove and clean the discharge chute with a mild detergent. Rinse with water.
 - Allow the discharge chute to air dry before reinstalling.
4. Remove and clean the mesh fan filter with mild detergent. Rinse with water.
 - The fan filter is held in place by a magnet.
5. Wipe the exterior surface of the toaster with a damp cloth. **NOTICE: Use non-abrasive cleaners only.**
6. Remove and clean the toast feed ramp.
 - a. Press in the two wire spokes and lift up to remove the toast feed ramp.
 - b. Wipe clean with a soft damp cloth or soak the ramp in a mild solution of 1 cup (227 ml) ammonia and 1 gallon (3.785 L) of water.
 - c. Align the wire spokes with the holes in the toaster to re-install the ramp.
7. Reinstall the crumb tray and discharge chute.

To install the crumb tray:

- a. Position the crumb tray directly below the stop pins under the conveyor belt at the front of the toaster.
- b. Slide the crumb tray into the toaster until the front of the crumb tray meets the stop pins.



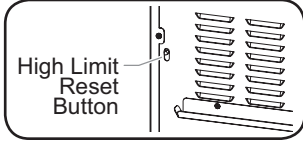
Installing the Crumb Tray

⚠ WARNING

This unit must be serviced by qualified personnel only. Service by unqualified personnel may lead to electric shock or burn.

⚠ WARNING

ELECTRIC SHOCK HAZARD: Turn OFF power switch, unplug power cord, and allow unit to cool before performing any cleaning, adjustments, maintenance, or attempting to clear a jam.

Symptom	Probable Cause	Corrective Action
Toast too light.	Color Control knob set on a light setting.	Turn Color Control knob to a darker setting.
	Unit not warmed up. The toaster needs time to heat up when initially turned on.	Allow approximately 15 to 20 minutes for the unit to warm up.
	Supply voltage to unit is low.	Verify the supply voltage to the toaster matches the unit specifications.
Toast too dark.	Color Control knob set on a dark setting.	Turn color control knob to a lighter setting.
	Supply voltage to unit is high.	Verify the supply voltage to the toaster matches the unit specifications.
Unit not working at all.	Unit not plugged in.	Plug unit into proper power supply.
	High Limit switch tripped and Warning Light illuminated. 	Check for the following: 1. Make sure hot air from other sources is directed away from the front of the unit. 2. Make sure the fan filter is clean. Press the High Limit Reset Button on rear of unit. If problem continues, contact Authorized Service Agent or Hatco for assistance.
Unit toasts on one side only.	The toaster is in BUNS mode (one-sided toasting).	Press the "Bread" (☪) key for Bread mode (two-sided toasting).
	Heating element defective.	If the element does not glow, contact Authorized Service Agent or Hatco for assistance.
Toaster trips the circuit breaker or GFCI.	Circuit breaker is not sized properly for the toaster.	Check circuit breaker for proper sizing.
	Wiring fault inside toaster.	Contact Authorized Service Agent or Hatco for assistance.

Troubleshooting Questions?

If you continue to have problems resolving an issue, please contact the nearest Authorized Hatco Service Agency or Hatco for assistance. To locate the nearest Service Agency, log onto the Hatco website at www.hatcocorp.com and click on *Find Service Agent*, or contact the **Hatco Parts and Service Team** at:

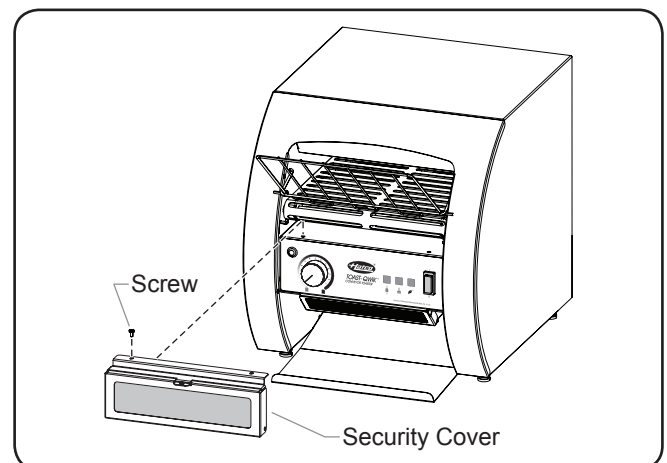
Telephone: 800-558-0607 or 414-671-6350

e-mail: support@hatcocorp.com

OPTIONS AND ACCESSORIES**Security Cover**

The lockable security cover flips up and down to limit access to the control panel.

1. Remove the crumb tray.
2. Remove the two front screws on the platform above the controls.
3. Position the security cover over the control panel, aligning the mounting holes on the security cover with the screw holes on the platform.
4. Reinstall the two screws through the security cover and into the platform. Tighten securely.
5. Reinstall the crumb tray.



Installing the Security Cover

1. PRODUCT WARRANTY

Hatco warrants the products that it manufactures (the "Products") to be free from defects in materials and workmanship, under normal use and service, for a period of one (1) year from the date of purchase when installed and maintained in accordance with Hatco's written instructions or 18 months from the date of shipment from Hatco. Buyer must establish the Product's purchase date by registering the Product with Hatco or by other means satisfactory to Hatco in its sole discretion.

Hatco warrants the following Product components to be free from defects in materials and workmanship from the date of purchase (subject to the foregoing conditions) for the period(s) of time and on the conditions listed below:

a) One (1) Year Parts and Labor PLUS One (1) Additional Year Parts-Only Warranty:

Conveyor Toaster Elements (metal sheathed)
Drawer Warmer Elements (metal sheathed)
Drawer Warmer Drawer Rollers and Slides
Strip Heater Elements (metal sheathed)
Display Warmer Elements (metal sheathed air heating)
Holding Cabinet Elements (metal sheathed air heating)
Heated Well Elements—HW and HWB Series
(metal sheathed)

b) Two (2) Year Parts and Labor Warranty:

Induction Ranges

c) One (1) Year Parts and Labor PLUS Four (4) Years Parts-Only Warranty:

3CS and FR Tanks

d) One (1) Year Parts and Labor PLUS Nine (9) Years Parts-Only Warranty on:

Electric Booster Heater Tanks
Gas Booster Heater Tanks

e) Ninety (90) Day Parts-Only Warranty:

Replacement Parts

THE FOREGOING WARRANTIES ARE EXCLUSIVE AND IN LIEU OF ANY OTHER WARRANTY, EXPRESSED OR IMPLIED, INCLUDING BUT NOT LIMITED TO ANY IMPLIED WARRANTY OF MERCHANTABILITY OR FITNESS FOR A PARTICULAR PURPOSE OR PATENT OR OTHER INTELLECTUAL PROPERTY RIGHT INFRINGEMENT. Without limiting the generality of the foregoing, SUCH WARRANTIES DO NOT COVER: Coated incandescent light bulbs, fluorescent lights, heat lamp bulbs, coated halogen light bulbs, halogen heat lamp bulbs, xenon light bulbs, LED light tubes, glass components, and fuses; Product failure in booster tank, fin tube heat exchanger, or other water heating equipment caused by liming, sediment buildup, chemical attack, or freezing; or Product misuse, tampering or misapplication, improper installation, or application of improper voltage.

2. LIMITATION OF REMEDIES AND DAMAGES

Hatco's liability and Buyer's exclusive remedy hereunder will be limited solely, at Hatco's option, to repair or replacement using new or refurbished parts or Product by Hatco or a Hatco-authorized service agency (other than where Buyer is located outside of the United States, Canada, United Kingdom, or Australia, in which case Hatco's liability and Buyer's exclusive remedy hereunder will be limited solely to replacement of part under warranty) with respect to any claim made within the applicable warranty period referred to above. Hatco reserves the right to accept or reject any such claim in whole or in part. In the context of this Limited Warranty, "refurbished" means a part or Product that has been returned to its original specifications by Hatco or a Hatco-authorized service agency. Hatco will not accept the return of any Product without prior written approval from Hatco, and all such approved returns shall be made at Buyer's sole expense. HATCO WILL NOT BE LIABLE, UNDER ANY CIRCUMSTANCES, FOR CONSEQUENTIAL OR INCIDENTAL DAMAGES, INCLUDING BUT NOT LIMITED TO LABOR COSTS OR LOST PROFITS RESULTING FROM THE USE OF OR INABILITY TO USE THE PRODUCTS OR FROM THE PRODUCTS BEING INCORPORATED IN OR BECOMING A COMPONENT OF ANY OTHER PRODUCT OR GOODS.

Informations Importantes pour le Propriétaire.....	11	Installation.....	15
Introduction.....	11	Généralités	15
Consignes de Sécurité Importantes.....	12	Mode d'emploi	16
Description du Modèle.....	13	Généralités	16
Tous Les Modèles	13	Maintenance.....	17
Modèles TQ3-10.....	13	Généralités	17
Désignation du Modèle.....	13	Nettoyage quotidien.....	17
Caractéristiques Techniques	14	Guide de Dépannage.....	18
Configuration des Fiches.....	14	Options et Accessoires	18
Tableau des valeurs nominales électriques	14	Garantie Limitée	19
Dimensions.....	14		

INFORMATIONS IMPORTANTES POUR LE PROPRIÉTAIRE

Notez le numéro de modèle, le numéro de série, la tension et la date d'achat de l'appareil dans les espaces ci-dessous (Étiquette des caractéristiques techniques située au dos de l'appareil). Veuillez avoir cette information à portée de la main si vous appelez Hatco pour assistance.

Modèle No. _____

Numéro de série _____

Voltage _____

Date d'achat _____

Enregistrez votre appareil!

Remplissez la garantie en ligne pour éviter les retards pour faire jouer la garantie. Accédez au site Web Hatco www.hatcocorp.com, sélectionnez le menu déroulant Parts & Service, puis cliquez sur Warranty Registration.

Horaires
ouvrables: 7h00 à 17h00
Heure du Centre des États-Unis (CST)
(Horaires d'été : juin à septembre—
7h00 à 17h00 CST du lundi au jeudi
7h00 à 16h00 CST le vendredi)

Téléphone: 800-558-0607; 414-671-6350

Courriel: support@hatcocorp.com



Service d'assistance et de pièces de rechange disponible 7j/7, 24h/24 aux États-Unis et au Canada en composant le 800-558-0607.

Des renseignements supplémentaires sont disponibles sur notre site Web à www.hatcocorp.com.

INTRODUCTION

Le grille-pain électrique à convoyeur Toast-Qwik de Hatco a été spécialement conçu pour accélérer la procédure de coloration du pain. Les produits à griller traversent une chambre chauffée pour une coloration rapide et complète. La teneur en eau et en sucre, de même que l'épaisseur du pain influent sur la coloration du produit. L'utilisation de la vitesse du convoyeur, et non pas de la température, pour déterminer la coloration permet le réglage instantané de la durée passée sous le grill.

Les grille-pains Hatco sont des produits de qualité conforme aux exigences des opérations de restauration qui fourniront des années de service sans problème. En plus de la garantie normale, les éléments chauffants à gaine métallique avec serpentine TQ3-10 sont garantis pendant deux ans (pièces uniquement) contre la casse et le brûlage.

Votre grille-pain à convoyeur Hatco Toast-Qwik est le produit de recherches intensives et de tests sur le terrain. Les matériaux utilisés ont été sélectionnés pour une durabilité maximale, une apparence attractive et des performances optimales. Chaque unité est soigneusement inspectée et testée avant expédition.

Ce manuel fournit les instructions d'installation, les consignes de sécurité et le mode d'emploi du grille-pain électrique à convoyeur de Hatco. Hatco vous recommande de lire l'ensemble des instructions d'installation et d'utilisation et toutes les consignes de sécurité dans ce manuel avant d'installer et d'utiliser l'appareil.

Les consignes de sécurité qui apparaissent dans ce manuel sont identifiées par les mots indicateurs suivants :

⚠ AVERTISSEMENT

AVERTISSEMENT indique une situation dangereuse qui, si elle n'est pas évitée, peut provoquer la mort ou des blessures graves.

⚠ ATTENTION

ATTENTION indique une situation dangereuse qui, si elle n'est pas évitée, peut provoquer des blessures légères ou moyennes.

AVIS

AVIS est utilisé pour des questions sans rapport avec des blessures corporelles.



Lisez les consignes de sécurité importantes suivantes avant d'utiliser cet équipement pour éviter toute blessure grave ou la mort et pour éviter d'endommager l'équipement ou la propriété.

AVERTISSEMENT

DANGER DE DÉCHARGE ÉLECTRIQUE :

- Brancher l'appareil sur une prise de courant avec terre de tension, de format et de configuration des broches corrects. Si la fiche et la prise ne se correspondent pas, s'adresser à un électricien qualifié pour déterminer et installer une prise de courant de format et de tension corrects.
- Placez l'interrupteur sur ARRÊT, débranchez le câble d'alimentation et laissez l'unité refroidir avant de la nettoyer, de la paramétrer ou de l'entretenir, ou avant de tenter d'éliminer un bouchon.
- L'appareil n'est pas à l'épreuve des intempéries. Placer l'appareil à l'intérieur à une température ambiante de 21°C minimum.
- Ne pas tirer l'appareil par son cordon électrique.
- Ne pas utiliser l'appareil si le cordon est endommagé ou usé.
- Ne pas tenter de réparer ni de changer un cordon électrique endommagé. Ce cordon doit être changé par Hatco, par un réparateur Hatco agréé ou par une personne de qualifications comparables.
- Cet appareil doit uniquement être réparé par un personnel qualifié. Toute réparation par un personnel non qualifié peut entraîner une électrocution et des brûlures.
- Ne pas nettoyer à la vapeur ni utiliser trop d'eau sur l'appareil.
- Cet appareil n'est pas étanche aux jets. Ne pas utiliser de jet sous pression pour nettoyer l'appareil.
- Ne jamais introduire de couteau, fourchette ou autre objet semblable dans les fentes du grille-pain.
- Ne pas soulever le grille-pain en plaçant les doigts dans les fentes et en saisissant les éléments chauffants.
- Ne pas nettoyer l'appareil lorsqu'il est sous tension ou chaud.
- Ne pas renverser de liquide dans l'appareil.
- Pour les réparations, utiliser exclusivement des pièces de rechange Hatco d'origine. L'utilisation de pièces autres que des pièces Hatco d'origine peut exposer l'utilisateur de l'appareil à des tensions électriques dangereuses et à un risque de décharge électrique ou de brûlure. Les pièces de rechange Hatco d'origine sont conçues pour fonctionner sans danger dans les environnements dans lesquels elles sont utilisées. Certaines pièces de rechange génériques ou de second marché ne présentent pas les caractéristiques leur permettant de fonctionner sans danger dans la matériel Hatco.

DANGER D'EXPLOSION : Ne pas entreposer ni utiliser d'essence ou autres gaz ou liquides inflammables à proximité de cet appareil ou d'autres.

N'utilisez pas cet appareil avec une minuterie externe ou un système de télécommande.

AVERTISSEMENT

DANGER D'INCENDIE :

- Placer l'appareil à un minimum de 25 mm des parois et matières combustibles. Si une distance sûre n'est pas maintenue, la chaleur peut provoquer une combustion ou une altération de couleur.
- Ne rien placer sur le dessus du grille-pain. Ne pas placer le grille-pain à proximité ou en dessous de rideaux ou autres matières combustibles. Des articles proches ou sur le dessus du grille-pain peuvent s'enflammer et provoquer des blessures corporelles et des dommages du grille-pain.
- En cas d'incendie, débranchez immédiatement le grille-pain. L'appareil pourra alors refroidir et il sera alors plus facile et plus sûr d'éteindre l'incendie.

Cet appareil ne doit pas être utilisé par des enfants ou des personnes avec des capacités physiques, sensorielles ou mentales diminuées. Assurez-vous que les enfants sont bien surveillés et tenez-les à l'écart de l'appareil.

La réparation de cet appareil doit être confiée exclusivement à du personnel qualifié. Les réparations par des personnes non qualifiées peuvent provoquer des décharges électriques et des brûlures.

Cet appareil ne contient aucune pièce réparable par l'utilisateur. Si cet appareil doit être réparé, contacter un réparateur Hatco agréé ou le Service après-vente Hatco au 800-558-0607 ou 414-671-6350.

ATTENTION

DANGER DE BRÛLURE :

- Certaines surfaces extérieures de l'appareil deviennent chaudes. Toucher ces zones de l'appareil avec précaution.
- Ne pas enlever le bac à miettes pour le nettoyer tant que le grille-pain n'est pas froid.

Placer l'appareil sur un plan de travail de hauteur correcte à un endroit qui convient pour son utilisation. Le support doit être de niveau pour éviter toute chute accidentelle du grille-pain ou de son contenu et suffisamment solide pour résister au poids de l'appareil et de son contenu.

Toujours utiliser le grille-pain avec le bac à miettes en place.

Si le témoin d'avertissement s'allume, l'appareil connaît un dysfonctionnement. Arrêtez l'appareil, débranchez-le de sa source d'alimentation et demandez à un technicien qualifié d'effectuer une opération d'entretien.

Il n'est PAS conseillé de griller des produits glacés ou beurrés tels que pain à l'ail, sandwiches au fromage et viennoiseries glacées. Les résidus réduisent les performances du grille-pain et peuvent s'enflammer à l'intérieur de l'appareil. L'utilisation du grille-pain avec les produits alimentaires indiqués ci-dessus a pour effet d'annuler la garantie.

AVIS

Ne pas poser l'appareil sur le côté du panneau de commande sous peine de l'endommager.

L'immersion ou la saturation de l'appareil avec de l'eau endommagera l'appareil et annulera la garantie du produit.

AVIS

Utiliser uniquement des produits nettoyants non abrasifs. Les produits nettoyants abrasifs peuvent rayer la finition de l'appareil, ce qui altère son apparence et le rend plus susceptible d'accumuler la saleté.

Cet appareil est conçu exclusivement pour une utilisation commerciale — PAS pour un emploi domestique.

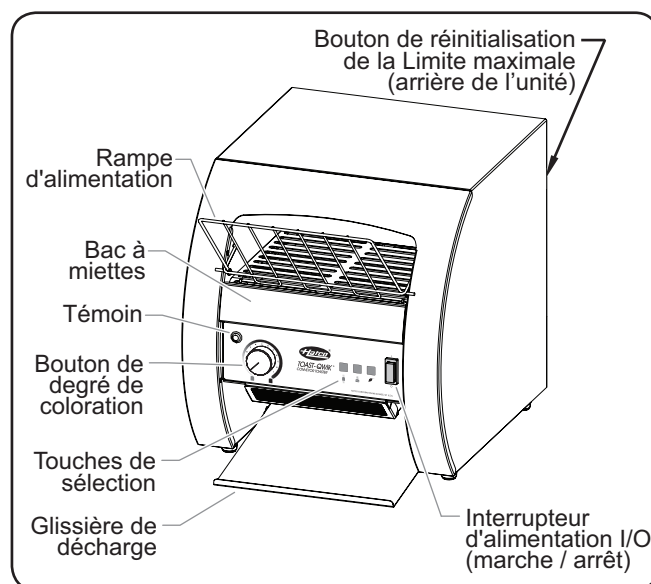
DESCRIPTION DU MODÈLE

Tous les modèles

Tous les grille-pains électriques à convoyeur Toast-Qwik® sont rapides, fiables et polyvalents. Chaque grille-pains Toast-Qwik a des éléments chauffant gainés de métal en serpentif durables, un moteur de convoyeur lubrifié en permanence et un sélecteur de gril à quatre positions. Chaque appareil est équipé avec des supports réglables de 25 mm (1"), une rampe d'arrivée, un tiroir ramasse-miettes amovibles, une glissière de décharge et une témoin d'avertissement.

Modèle TQ3-10

Le modèle TQ3-10 est un grille-pain deux tranches qui permet de faire griller du pain de 38 mm (1-1/2") d'épaisseur et 245 mm (9-5/8") de largeur.



Modèle TQ3-10

DÉSIGNATION DU MODÈLE

T Q 3 - 1 0

Toast-Qwik ——— Grille-pain grand format
(2 tranches de pain)

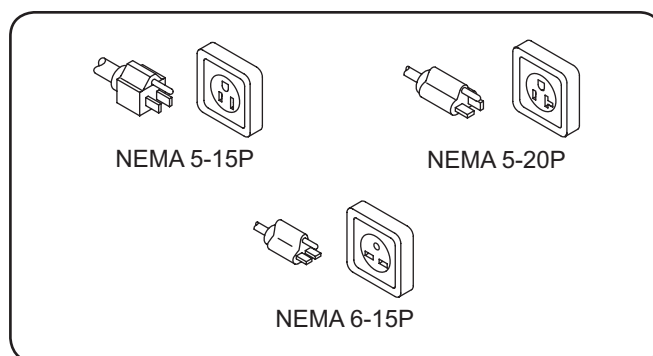
Configuration des fiches

Les appareils sont livrés avec un cordon électrique avec fiche. Différentes fiches sont fournies selon les applications.

AVERTISSEMENT

DANGER DE DÉCHARGE ÉLECTRIQUE: Brancher l'appareil sur une prise de courant avec terre de tension, de format et de configuration des broches corrects. Si la fiche et la prise ne se correspondent pas, s'adresser à un électricien qualifié pour déterminer et installer une prise de courant de format et de tension corrects.

NOTA: L'étiquette de spécification est située sur le côté de l'appareil. Veuillez vous reporter à l'étiquette pour connaître le numéro de série et les données électriques de l'appareil.



Configuration des fiches

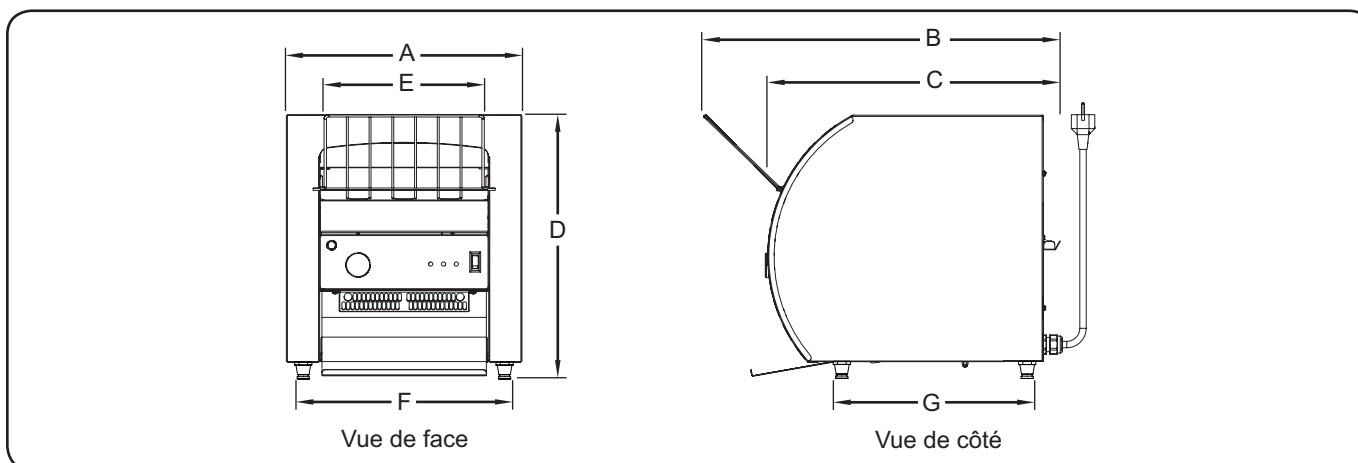
NOTA: Prise non fournie par Hatco.

Tableau des valeurs nominales électriques

Modèle	Tension	Hertz	Puissance	Intensité	Configuration de Fiches	Poids d'embarquement
TQ3-10	120	50/60	1780	14.8	NEMA 5-15P, NEMA 5-20P	19 kg (41 lbs.)
	208			8.6	NEMA 6-15P	
	240			7.4		

Dimensions

Modèle	Largeur (A)	Profondeur Générale (B)	Profondeur d'unité (C)	Hauteur (D)	Chambre Largeur (E)	Empattement Largeur (F)	Empattement Profondeur (G)
TQ3-10	368 mm (14-1/2")	564 mm (22-1/4")	460 mm (18-1/8")	411 mm (16-3/16")	264 mm (10-3/8")	333 mm (13-1/8")	309 mm (12-3/16")



Généralités

Le grille-pains électriques à convoyeur Toast-Qwik® est livré avec tous les composants préassemblés. Faire attention lors du déballage pour éviter d'endommager l'appareil et ses composants.

⚠ AVERTISSEMENT

DANGER DE DÉCHARGE ÉLECTRIQUE: L'appareil n'est pas à l'épreuve des intempéries. Placer l'appareil à l'intérieur à une température ambiante de 21°C minimum.

DANGER D'EXPLOSION: Ne pas entreposer ni utiliser d'essence ou autres gaz ou liquides inflammables à proximité de cet appareil ou d'autres.

DANGER D'INCENDIE:

- Placer l'appareil à un minimum de 25 mm des parois et matières combustibles. Si une distance sûre n'est pas maintenue, la chaleur peut provoquer une combustion ou une altération de couleur.
- Ne rien placer sur le dessus du grille-pain. Ne pas placer le grille-pain à proximité ou en dessous de rideaux ou autres matières combustibles. Des articles proches ou sur le dessus du grille-pain peuvent s'enflammer et provoquer des blessures corporelles et des dommages du grille-pain.

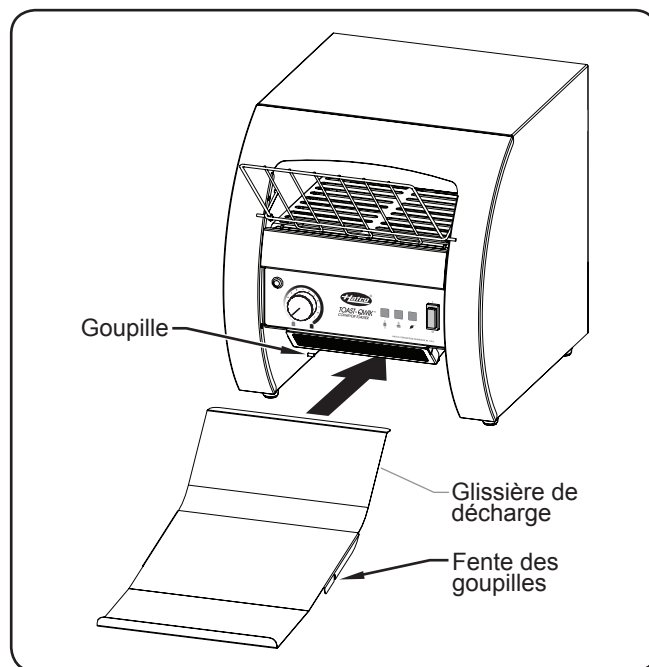
1. Retirer l'appareil de sa boîte.

NOTA: Pour éviter des retards dans l'obtention de la couverture de la garantie, complétez l'enregistrement en ligne de votre garantie. Lisez la section INFORMATIONS IMPORTANTES POUR LE PROPRIÉTAIRE pour plus de détails.

2. Retirer l'adhésif et l'emballage de protection de toutes les surfaces de l'appareil.
3. Placer l'appareil à l'endroit souhaité.
 - Placez l'appareil à un endroit où la température ambiante est constante et de 21 °C minimum. Évitez les endroits susceptibles d'activer les mouvements ou les courants d'air (proximité des ventilateurs ou hottes d'évacuation et conduites de climatisation).
 - S'assurer que l'appareil est sur un plan de travail de hauteur correcte à un endroit qui convient pour son utilisation.
 - S'assurer que le plan de travail est de niveau et suffisamment solide pour résister au poids de l'appareil et des produits alimentaires.
 - Vérifier que tous les pieds sous l'appareil reposent solidement sur le plan de travail.

4. Installez la glissière de décharge.

- a. Insérez la glissière de décharge sous le grille-pain.
- b. Inclinez légèrement l'extrémité recourbée de la glissière afin de placer les goupilles du grille-pain dans les fentes (une de chaque côté).



Installation de la glissière de décharge

Généralités

Le grille-pain électriques à convoyeur Toast-Qwik® est simple à utiliser. Son fonctionnement est décrit ci-dessous.

⚠ AVERTISSEMENT

Lire tous les messages de sécurité de la section Consignes de sécurité importantes avant d'utiliser ce matériel.

⚠ ATTENTION

Toujours utiliser le grille-pain avec le bac à miettes en place.

AVIS

Les dommages à toute partie du comptoir pouvant être causés par la chaleur générée par l'équipement de Hatco ne sont pas couverts par la garantie de Hatco. Contactez le fabricant du comptoir pour obtenir des renseignements.

1. Brancher l'appareil sur une prise électrique correctement mise à la terre du type, de la taille et de la tension corrects. Pour plus de détails, voir CARACTÉRISTIQUES TECHNIQUES.
2. Mettez l'interrupteur d'alimentation I/O (marche/arrêt) en position « I » (marche).
3. Positionnez la touche de sélection sur le réglage souhaité. Une fois que vous avez sélectionné un réglage, le témoin lumineux au-dessus de la touche s'allumera.
 - Pour griller les deux côtés de la tranche de pain, sélectionnez le bouton « Bread » (pain tranché 🍞).
 - Pour griller la face supérieure du pain seulement, sélectionnez le bouton « Buns » (pain entier 🍩).
4. Tournez le bouton Color Control (contrôle de la couleur) vers la position la plus claire pendant que l'appareil chauffe.

NOTA : Compter 15 à 20 minutes de préchauffage environ.

⚠ ATTENTION

DANGER DE BRÛLURE : Certaines surfaces extérieures de l'appareil deviennent chaudes. Toucher ces zones de l'appareil avec précaution.

5. Après la chauffe de l'appareil, tournez le bouton Color Control sur la position intermédiaire et insérez deux tranches de pain. Réajustez le bouton pour obtenir la couleur de pain désirée.

NOTA: Pour faire griller des produits à haute teneur en eau comme les English Muffins, le pain de seigle ou le pain complet, ralentir le convoyeur en tournant la commande de coloration sur un réglage plus foncé (sens des aiguilles d'une montre).

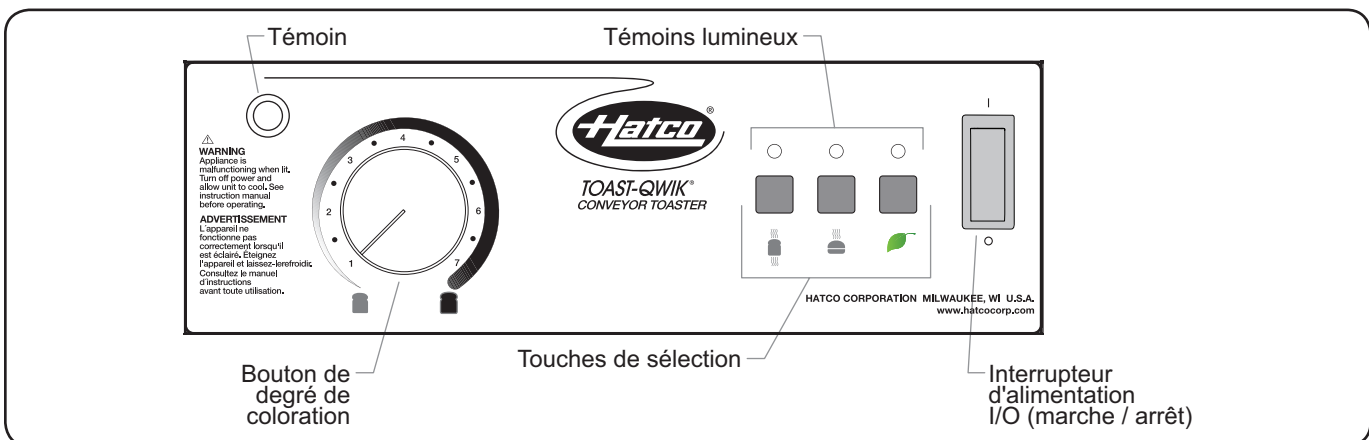
Tous les grille-pain de la série TQ3 peuvent être mis en mode économie d'énergie grâce à la touche Powersave (économiser de l'énergie [🌿]). Lorsqu'il est en fonction, le convoyeur accélérera temporairement pendant quatre secondes pour éjecter le pain de l'appareil. Le grille-pain fonctionne à 50 % de sa puissance lorsqu'il est en mode économie d'énergie.

NOTA : Pour remettre le grille-pain dans sa position de puissance maximale, sélectionnez 🍞 ou 🍩. L'appareil est de nouveau fonctionnel après 5 minutes.

⚠ ATTENTION

Il n'est PAS conseillé de griller des produits glacés ou beurrés tels que pain à l'ail, sandwichs au fromage et viennoiseries glacées. Les résidus réduisent les performances du grille-pain et peuvent s'enflammer à l'intérieur de l'appareil. L'utilisation du grille-pain avec les produits alimentaires indiqués ci-dessus a pour effet d'annuler la garantie.

NOTA: Si le témoin d'avertissement s'allume, l'appareil est peut-être en surchauffe en raison d'une défaillance de ventilateur. Arrêtez l'appareil et débranchez-le. Contactez un agent d'entretien agréé ou Hatco pour obtenir une assistance.



Panneau de commande

Généralités

Le grille-pain à Hatco a été conçu pour une durabilité maximum et une performance optimum, avec un minimum d'entretien.

NOTA: Le motoréducteur et le système du convoyeur sont lubrifiés en permanence et ne nécessitent aucune lubrification supplémentaire.

⚠ AVERTISSEMENT

DANGER DE DÉCHARGE ÉLECTRIQUE:

- Placez l'interrupteur sur **ARRÊT**, débranchez le câble d'alimentation et laissez l'unité refroidir avant de la nettoyer, de la paramétrer ou de l'entretenir, ou avant de tenter d'éliminer un bouchon.
- **NE PAS immerger l'appareil ni le saturer d'eau.** L'appareil n'est pas étanche à l'eau. Ne pas le faire fonctionner s'il a été immergé ou saturé d'eau.
- Ne pas nettoyer à la vapeur ni utiliser trop d'eau sur l'appareil.
- Cet appareil n'est pas étanche aux jets. Ne pas utiliser de jet sous pression pour nettoyer l'appareil.
- Ne pas nettoyer l'appareil lorsqu'il est sous tension ou chaud.
- Ne pas renverser de liquide dans l'appareil.
- Pour les réparations, utiliser exclusivement des pièces de rechange Hatco d'origine. L'utilisation de pièces autres que des pièces Hatco d'origine peut exposer l'utilisateur de l'appareil à des tensions électriques dangereuses et à un risque de décharge électrique ou de brûlure. Les pièces de rechange Hatco d'origine sont conçues pour fonctionner sans danger dans les environnements dans lesquels elles sont utilisées. Certaines pièces de rechange génériques ou de second marché ne présentent pas les caractéristiques leur permettant de fonctionner sans danger dans la matériel Hatco.

Cet appareil ne contient aucune pièce réparable par l'utilisateur. Si cet appareil doit être réparé, contacter un réparateur Hatco agréé ou le Service après-vente Hatco au 800-558-0607 ou 414-671-6350.

Nettoyage quotidien

Pour préserver la finition du grille-pain, il est recommandé de passer quotidiennement un chiffon humide sur ses surfaces métalliques.

AVIS

Utiliser uniquement des produits nettoyants non abrasifs. Les produits nettoyants abrasifs peuvent rayer la finition de l'appareil, ce qui altère son apparence et le rend plus susceptible d'accumuler la saleté.

Les dommages à toute partie du comptoir pouvant être causés par la chaleur générée par l'équipement de Hatco ne sont pas couverts par la garantie de Hatco. Contactez le fabricant du comptoir pour obtenir des renseignements.

L'immersion ou la saturation de l'appareil avec de l'eau endommagera l'appareil et annulera la garantie du produit.

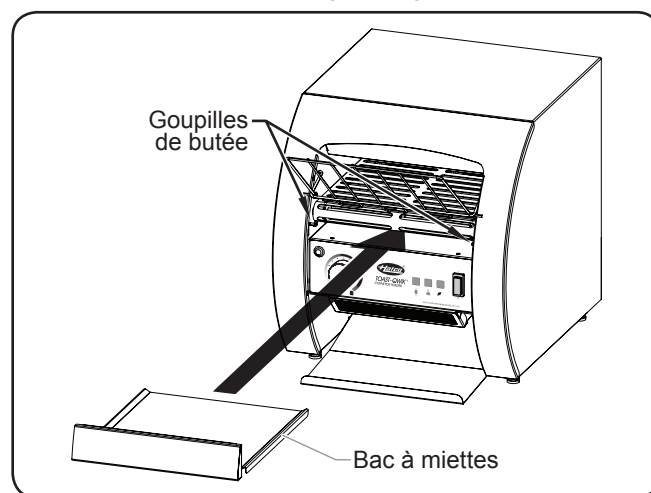
⚠ ATTENTION

N'enlevez pas le bac à miettes pour le nettoyage jusqu'à ce que le grille-pain soit froid.

1. Retirer le bac à miettes et le vider.
2. Laver le bac à miettes à l'eau chaude avec un détergent doux, puis rincer à l'eau.
3. Retirez puis nettoyez la rampe de décharge à l'aide d'un détergent doux. Rincez ensuite à l'eau.
 - Laissez sécher la rampe de décharge à l'air libre avant le remontage.
4. Retirez et nettoyez le grillage du filtre du ventilateur avec un détergent doux. Rincez ensuite à l'eau.
 - Le filtre du ventilateur est maintenu en place grâce à un aimant.
5. Essuyer la surface extérieure du grille-pain avec un chiffon humide. **AVIS: Utiliser uniquement des produits nettoyants non abrasifs.**
6. Retirez puis nettoyez la rampe d'alimentation.
 - a. Appuyez sur les deux tiges métalliques puis soulevez-les afin de retirer la rampe d'alimentation.
 - b. Nettoyez la rampe à l'aide d'un chiffon humide ou laissez-la tremper dans une solution douce composée d'un verre (227 ml) d'ammoniac et de 3,5 litres (1 gallon) d'eau.
 - c. Alignez les tiges métalliques avec les orifices présents sur le grille-pain afin de replacer la rampe.
7. Installez à nouveau le bac à miettes et la glissière de décharge.

Pour installer le bac à miettes :

- a. Placez le bac à miettes juste en dessous des goupilles de butée se trouvant sous la bande transporteuse, à l'avant du grille-pain.
- b. Insérez le bac à miettes dans le grille-pain jusqu'à ce que l'avant du bac atteigne les goupilles de butée.



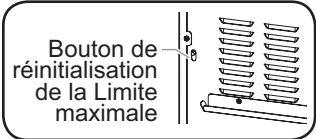

Installation du bac à miettes

⚠ AVERTISSEMENT

La réparation de cet appareil doit être confiée exclusivement à du personnel qualifié. Les réparations par des personnes non qualifiées peuvent provoquer des décharges électriques et des brûlures.

⚠ AVERTISSEMENT

DANGER DE DÉCHARGE ÉLECTRIQUE: Placez l'interrupteur sur ARRÊT, débranchez le câble d'alimentation et laissez l'unité refroidir avant de la nettoyer, de la paramétrer ou de l'entretenir, ou avant de tenter d'éliminer un bouchon.

Symptôme	Cause Probable	Solution
Pain pas assez grillé.	Bouton de minuterie (Color Control) réglé sur une coloration claire.	Régler le bouton de minuterie (Color Control) sur une coloration plus foncée.
	L'unité n'est pas chaude. Le grille-pain doit être préchauffé avant la mise en route initiale.	Le préchauffage de l'unité peut prendre entre 15 et 20 minutes.
	La tension d'alimentation est trop basse.	Vérifier la tension d'alimentation pour s'assurer qu'elle correspond aux caractéristiques techniques de l'appareil.
Pain trop grillé.	Bouton de minuterie (Color Control) réglé sur une coloration foncée.	Régler le bouton de minuterie (Color Control) sur une coloration plus claire.
	La tension d'alimentation est trop haute.	Vérifier la tension d'alimentation pour s'assurer qu'elle correspond aux caractéristiques techniques de l'appareil.
L'appareil ne fonctionne pas du tout.	L'appareil n'est pas branché.	Branchez l'appareil sur une source d'alimentation adaptée.
	Interrupteur de Limite maximale déclenché et témoin d'avertissement allumé. 	Vérifiez les éléments suivants : 1. Assurez-vous que l'air chaud des autres sources est dirigé à distance de l'avant de l'unité. 2. Assurez-vous que le filtre du ventilateur est propre. Appuyez sur le bouton de réinitialisation de la Limite maximale à l'arrière de l'unité. Si le problème persiste, contactez une agence de service après-vente agréée ou Hatco pour obtenir de l'aide.
L'appareil ne grille que d'un côté.	Le grille-pain est en mode « BUNS » (une seule face grillée).	Sélectionnez « BREAD » () pour passer en mode BREAD (deux faces grillées).
	Élément chauffant défectueux.	Dans le cas contraire, contactez votre agent de maintenance agréé ou Hatco pour assistance.
Le grille-pain fait sauter le coupe-circuit ou le disjoncteur de fuite de terre.	Le coupe-circuit n'est pas de calibre correct pour le grille-pain.	Vérifier si le coupe-circuit est de calibre correct.
	Erreur de câblage à l'intérieur du grille-pain.	Contactez un réparateur agréé ou Hatco pour assistance.

Vous avez des questions en ce qui concerne les pannes ?

Si le problème persiste, veuillez contacter l'agence d'entretien agréée Hatco la plus proche ou Hatco pour obtenir une assistance. Pour trouver l'agence d'entretien la plus proche, rendez-vous sur le site Internet de Hatco (www.hatcocorp.com) et cliquez sur Trouver un agent d'entretien, ou contactez l'équipe d'entretien et de pièces détachées de Hatco :

Numéro de téléphone: 800-558-0607 ou 414-671-6350

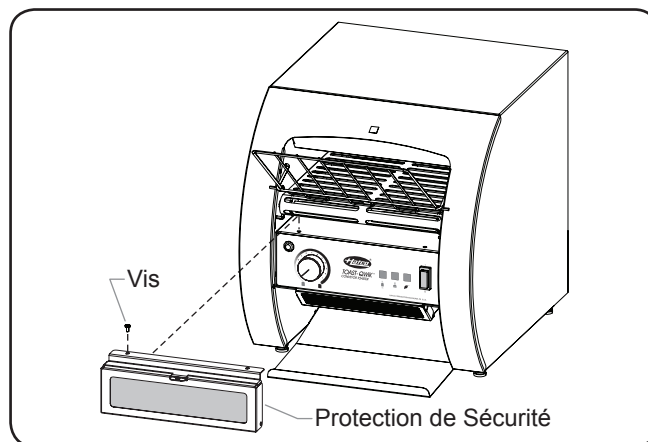
Courriel: support@hatcocorp.com

OPTIONS ET ACCESSOIRES

Protection de Sécurité

La protection de sécurité verrouillable se relève et s'abaisse afin de limiter l'accès au panneau de commande.

- Retirez le tiroir ramasse-miettes.
- Retirez les deux vis avant sur la surface plane au-dessus des commandes.
- Placez la protection de sécurité sur le panneau de commande, en alignant les orifices des vis de la protection de sécurité avec les orifices de la surface plane.
- Remplacez les deux vis dans la protection de sécurité et la surface plane. Serrez-les fermement.
- Installez à nouveau le tiroir ramasse-miettes.



Protection de Sécurité

1. GARANTIE DU PRODUIT

Hatco garantit que les produits qu'il fabrique (les « Produits ») sont exempts de défauts de matériel et de fabrication, dans des conditions normales d'utilisation et de maintenance, pour une période d'un (1) an à partir de la date d'achat à condition que l'appareil soit installé et entretenu conformément aux instructions écrites de Hatco ou 18 mois après la date de l'expédition par Hatco. L'acheteur doit prouver la date d'achat du Produit par l'enregistrement de ce dernier auprès de Hatco ou par d'autres moyens satisfaisants pour Hatco, à sa seule discrétion.

Hatco garantit que les composants du Produit suivants sont exempts de défauts de matériel et de fabrication à partir de la date d'achat (sous réserve des conditions précédentes) pour la ou les périodes de temps et en fonction des conditions listées ci-dessous :

- a) **Garantie d'un (1) an pour les pièces et la main-d'œuvre PLUS un (1) an supplémentaire pour les pièces uniquement :**
 Éléments du grille-pain à convoyeur (enveloppe métallique)
 Éléments des tiroirs chauffants (enveloppe métallique)
 Tiroirs, roues et glissières des tiroirs chauffants
 Éléments des rampes chauffantes (enveloppe métallique)
 Éléments des vitrines chauffantes
 (enveloppe métallique, air chauffant)
 Éléments des armoires de stockage
 (enveloppe métallique, air chauffant)
 Éléments des compartiments chauffants —
 série HW et HWB (enveloppe métallique)
- b) **Garantie de deux (2) ans pour les pièces et la main-d'œuvre :**
 Gammes à induction
- c) **Garantie d'un (1) an pour les pièces et la main-d'œuvre PLUS quatre (4) ans pour les pièces uniquement :**
 Cuves 3CS et FR
- d) **Garantie d'un (1) an pour les pièces et la main-d'œuvre PLUS neuf (9) ans pour les pièces uniquement :**
 Cuves des appareils de chauffage d'appoint électriques
 Cuves des appareils de chauffage d'appoint à gaz
- e) **Garantie de quatre-vingt-dix (90) jours pour les pièces uniquement :**
 Pièces de rechange

LES GARANTIES PRÉCÉDENTES SONT EXCLUSIVES ET REMPLACENT TOUTES AUTRES GARANTIES, EXPRESSES OU IMPLICITES, COMPRENANT, MAIS NE SE LIMITANT PAS, À TOUTES GARANTIES IMPLICITES DE QUALITÉ MARCHANDE OU DE FINALITÉ PARTICULIÈRE OU TOUTS BREVETS OU TOUTES AUTRES ATTEINTES AUX DROITS DE LA PROPRIÉTÉ INTELLECTUELLE. Sans restreindre la portée générale des énoncés précédents, CES GARANTIES NE COUVRENT PAS LES ÉLÉMENTS SUIVANTS : ampoules d'éclairage à incandescence enduites, lumières fluorescentes, ampoules de lampes chauffantes, ampoules d'éclairage à halogène enduites, ampoules de lampes chauffantes au xénon, tubes d'éclairage DEL, composants en verre et fusibles ; défaut de produit dans la cuve d'un appareil de chauffage d'appoint, dans un échangeur de chaleur à tubes à ailettes ou tout autre équipement de chauffage d'eau causé par la calcification, l'accumulation de sédiments, la réaction d'un produit chimique ou le gel ; ou une mauvaise utilisation, une manipulation ou une mauvaise application, une installation inappropriée du Produit ou l'utilisation d'une tension inappropriée.

2. LIMITES DES RECOURS ET DES DOMMAGES

La responsabilité de Hatco et la seule voie de recours de l'Acheteur prévues par les présentes seront limitées exclusivement, au gré de Hatco, à la réparation ou au remplacement à l'aide de pièces ou de Produits nouveaux ou remis à neuf par Hatco ou un centre de réparation agréé par Hatco (sauf si l'Acheteur se situe hors des États-Unis, du Canada, du Royaume-Uni ou de l'Australie, auquel cas la responsabilité de Hatco et la seule voie de recours de l'Acheteur seront limitées exclusivement au remplacement des pièces concernées par la garantie) à l'égard de toute revendication effectuée dans les délais de garantie applicables mentionnés ci-dessus. Hatco se réserve le droit d'accepter ou de rejeter toute réclamation en partie ou dans son intégralité. Dans le cadre de cette Garantie limitée, « remis à neuf » signifie une pièce ou un Produit dont les caractéristiques techniques d'origine ont été restaurées par Hatco ou un centre de réparation agréé par Hatco. Hatco n'acceptera aucun retour de Produits sans qu'il n'ait auparavant donné son accord écrit, et tous ces retours approuvés doivent être effectués aux seuls frais de l'Acheteur. HATCO NE SERA PAS TENU RESPONSABLE, DANS AUCUNE CIRCONSTANCE, DES DOMMAGES CONSÉCUTIFS OU INDIRECTS, COMPRENANT, MAIS NE SE LIMITANT PAS, AUX COÛTS DE MAIN-D'ŒUVRE OU PERTES DE PROFITS DUS À UNE UTILISATION OU À UNE IMPOSSIBILITÉ D'UTILISER LES PRODUITS OU DUS AU FAIT QUE LES PRODUITS ONT ÉTÉ INTÉGRÉS DANS OU QU'ILS SONT DEVENUS UN COMPOSANT DE TOUT AUTRE PRODUIT OU BIEN.

AUTHORIZED PARTS DISTRIBUTORS • AUTORISÉS DISTRIBUTEURS DE PIÈCES

ALABAMA

Jones McLeod Appl. Svc.
Birmingham 205-251-0159

ARIZONA

Service Solutions Group
Phoenix 602-234-2443

Byassee Equipment Co.
Phoenix 602-252-0402

CALIFORNIA

Industrial Electric
Commercial Parts & Service, Inc.
Huntington Beach 714-379-7100

Chapman Appl. Service
San Diego 619-298-7106

P & D Appliance
Commercial Parts & Service, Inc.
S. San Francisco 650-635-1900

COLORADO

Hawkins Commercial Appliance
Englewood 303-781-5548

FLORIDA

Whaley Foodservice Repair
Jacksonville 904-725-7800

Whaley Foodservice Repair
Orlando 407-757-0851

B.G.S.I.
Pompano Beach 954-971-0456

Comm. Appliance Service
Tampa 813-663-0313

GEORGIA

TWC Services
Mableton 770-438-9797

Heritage Service Group
Norcross 866-388-9837

Southeastern Rest. Svc.
Norcross 770-446-6177

HAWAII

Burney's Comm. Service, Inc.
Honolulu 808-848-1466

Food Equip Parts & Service
Honolulu 808-847-4871

ILLINOIS

Parts Town
Lombard 708-865-7278

Eichenauer Elec. Service
Decatur 217-429-4229

Midwest Elec. Appl. Service
Elmhurst 630-279-8000

Cone's Repair Service
Moline 309-797-5323

INDIANA

GCS Service
Indianapolis 800-727-8710

IOWA

Goodwin Tucker Group
Des Moines 515-262-9308

KENTUCKY

Service Solutions Group
Lexington 859-254-8854

Service Solutions Group
Louisville 502-451-5411

LOUISIANA

Chandler's Parts & Service
Baton Rouge 225-272-6620

MARYLAND

Electric Motor Service
Baltimore 410-467-8080

GCS Service
Silver Spring 301-585-7550

MASSACHUSETTS

Ace Service Co., Inc.
Needham 781-449-4220

MICHIGAN

Bildons Appliance Service
Detroit 248-478-3320

Commercial Kitchen Service
Bay City 989-893-4561

Midwest Food Equip. Service
Grandville 616-261-2000

MINNESOTA

GCS Service
Minnetonka 800-822-2303
x20365

MISSOURI

General Parts
Kansas City 816-421-5400

Commercial Kitchen Services
St. Louis 314-890-0700

Kaemmerlen Parts & Service
St. Louis 314-535-2222

NEBRASKA

Anderson Electric
Omaha 402-341-1414

NEVADA

Burney's Commercial
Las Vegas 702-736-0006

Hi. Tech Commercial Service
N. Las Vegas 702-649-4616

NEW JERSEY

Jay Hill Repair
Fairfield 973-575-9145

Service Plus
Flanders 973-691-6300

NEW YORK

Alpro Service Co.
Maspeth 718-386-2515

Appliance Installation
Buffalo 716-884-7425

Duffy's Equipment Services, Inc.
Buffalo 800-836-1014

3Wire Northern
Plattsburgh 800-634-5005

Duffy's Equipment Services, Inc.
Sauquoit 800-836-1014

J.B. Brady, Inc.
Syracuse 315-422-9271

NORTH CAROLINA

Authorized Appliance
Charlotte 704-377-4501

OHIO

Akron/Canton Comm. Svc. Inc.
Akron 330-753-6634

Service Solutions Group
Cincinnati 513-772-6600

Commercial Parts and Service
Columbus 614-221-0057

Electrical Appl. Repair Service
Brooklyn Heights 216-459-8700

E. A. Wichman Co.
Toledo 419-385-9121

OKLAHOMA

Hagar Rest. Service, Inc.
Oklahoma City 405-235-2184

Krueger, Inc.
Oklahoma City 405-528-8883

OREGON

Ron's Service, Inc.
Portland 503-624-0890

PENNSYLVANIA

Elmer Schultz Services
Philadelphia 215-627-5401

FAST Comm. Appl. Service
Philadelphia 215-288-4800

Appliance Installation & Service
Pittsburgh 412-809-0244

K & D Service Co.
Harrisburg 717-236-9039

Electric Repair Co.
Reading 610-376-5444

RHODE ISLAND

Marshall Electric Co.
Providence 401-331-1163

SOUTH CAROLINA

Whaley Foodservice Repair
Lexington 803-996-9900

TENNESSEE

Camp Electric
Memphis 901-527-7543

TEXAS

GCS Service
Fort Worth 800-433-1804

Armstrong Repair Service
Houston 713-666-7100

Cooking Equipment Specialist
Mesquite 972-686-6666

Commercial Kitchen Repair Co.
San Antonio 210-735-2811

UTAH

La Monica's Rest. Equip. Service
Murray 801-263-3221

VIRGINIA

Daubers
Norfolk 757-855-4097

Daubers
Springfield 703-866-3600

WASHINGTON

3Wire Restaurant Appliance
Seattle 800-207-3146

WISCONSIN

A.S.C., Inc.
Madison 608-246-3160

A.S.C., Inc.
Milwaukee 414-543-6460

CANADA

ALBERTA

Key Food Equipment Service
Edmonton 780-438-1690

BRITISH COLUMBIA

Key Food Equipment Service
Vancouver 604-433-4484

Key Food Equipment Service
Victoria 250-920-4888

MANITOBA

Air Rite, Inc.
Winnipeg 204-895-2300

NEW BRUNSWICK

EMR Services, Ltd.
Moncton 506-855-4228

ONTARIO

R.G. Henderson Ltd.
Toronto 416-422-5580

Choquette - CKS, Inc.
Ottawa 613-739-8458

QUÉBEC

Choquette - CKS, Inc.
Montreal 514-722-2000

Choquette - CKS, Inc.
Québec City 418-681-3944

UNITED KINGDOM

Marren Group
Northants +44(0)1933 665313

HATCO CORPORATION
P.O. Box 340500
Milwaukee, WI 53234-0500 U.S.A.
800-558-0607 414-671-6350
support@hatcocorp.com
www.hatcocorp.com

Register your unit online!

See IMPORTANT OWNER INFORMATION
section for details.

S'inscrire en ligne!

Lisez la section INFORMATIONS IMPORTANTES
POUR LE PROPRIÉTAIRE pour plus de informations.