

DOUGHPRO™



Consistent Crust Every Time

DP1100 High Production Manual Dough Press



Press consistent crusts every time...without the need for skilled labor! This heavy-duty manual press revolutionized the pizza industry. Based on our exclusive patented technology, the ProLuxe™ DP1100 offers a top heated platen that will form pizza dough in just a few seconds. The manually operated, easy-to-manuever action creates consistent product every time, and is backed by our exclusive ProLuxe limited lifetime warranty. The thickness control allows you to press dough from paper thin to 1/4" thick. Press up to an 18" product in just seconds!

Features

- Manually operated, no motor or compressors required.
- Produces crusts equal to hand tossed product.
- Safe to operate and clean.
- Compact size fits just about anywhere.
- Heated upper platen enhances the baking qualities.
- Embedded with our ProLuxe exclusive limited lifetime cast-in heating elements that create even heat distribution.
- Coated Teflon™ upper and lower platens.

In addition to the quality execution and unique customization capabilities, our expert technical support team supports the ProLuxe DP1100. We are available 24 hours a day/7 days a week to answer any questions and provide you with great, no-debate service support.

PROLUXE ™

formerly DoughPro. New Name. Same Quality. Superior Service.

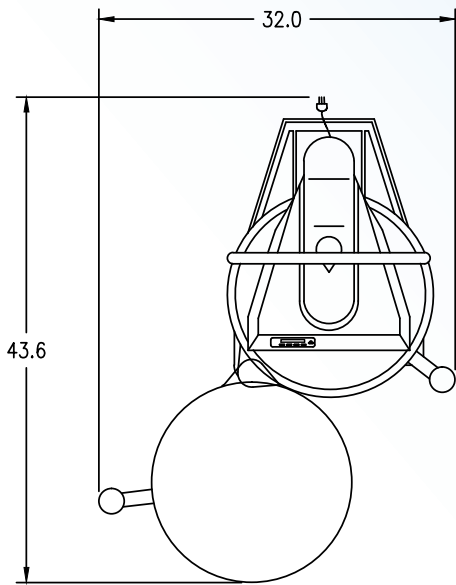
proluxe.com

DOUGHPRO™

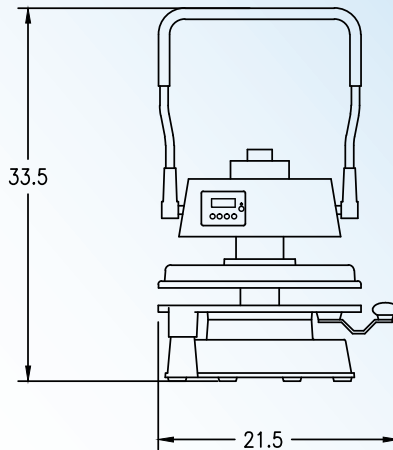


Consistent Crust Every Time

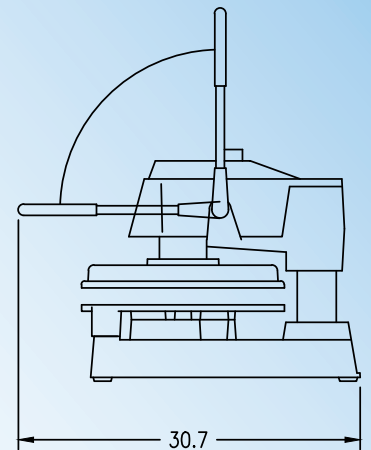
DP1100 High Production Manual Dough Press



TOP VIEW



FRONT VIEW



RIGHT SIDE VIEW

Care and Cleaning-

The use of a mild soapy water solution and a soft sponge to clean the upper and lower platens.

ON/OFF Switch	Yes	Electrical Data DP1100A - 120v/50/60hz 1500w/12.5 amps - NEMA 5-15P DP1100B - 240v/50/60hz 1500w/6.3 amps - NEMA 6-15P DP1100CEB - (Europe) 240v/50/60hz 1500w/6.3 amps - CEE7/7
Programmable Timer	Yes	
Temperature Control	Yes	
Thickness Adjustment	Yes	Shipping Weight 175lbs/79kg
Maximum Heat	0-450 F	Machine Weight 140lbs/63kg

Includes 72" cord

Listed:



PROLUXE™

20281 Harvill Ave | Perris, CA 92570
 t: (951) 657-0379 | t: (800) 624-6717 | f: (951) 657-4594
 w: www.proluxe.com | e: info@prolux.com