

PROGRILL™

High Production Grilling Perfection

SL1266A Split Lid Grill



The ProLuxe ProGrill Split Lid Grill is a high-production grill that is engineered to provide you with reliable production and high quality product. Simple controls make it easy to operate, and our exclusive patented manufacturing process casts the heating elements into the platen, resulting in more even heat distribution and longer life expectancy. The split lid allows for different products to be grilled at different time specifications. The top and bottom platens offer adjustable convenience and easy access cleaning. The unique upper floating platen automatically adjusts to the thickness of your product for even grilling unlike any competitor. You can prepare sandwiches, steaks, chicken, vegetables, tortillas, quesadillas, burritos and many other menu items.

Product Features:

- No Conduits. Wiring is run through the handles to eliminate the use of conduits.
- Covered by our exclusive ProLuxe Limited Lifetime Warranty
- Ease of cleaning. Sleek design is simple to clean and provides the necessary guards for operator safety.
- Embedded patented heating element creates even heating distribution and faster recovery.
- Our patented leveling system will ensure that products up to 3" thick will be grilled evenly.
- Temperature control located on front with easy to operate functionality
- Two 6" by 12" upper heated platens for grilling at least two products at different times, doubling your output.
- Compact size fits almost anywhere
- Exterior cabinet is constructed of type 302 stainless steel with cast aluminum platens
- Includes 72" cord

In addition to the quality execution and unique customization capabilities, our expert technical support team supports the Split Lid Grill. We are available 24 hours a day/7 days a week to answer any questions and provide you with great, no-debate service support.

PROLUXE ™

formerly DoughPro. New Name. Same Quality. Superior Service.

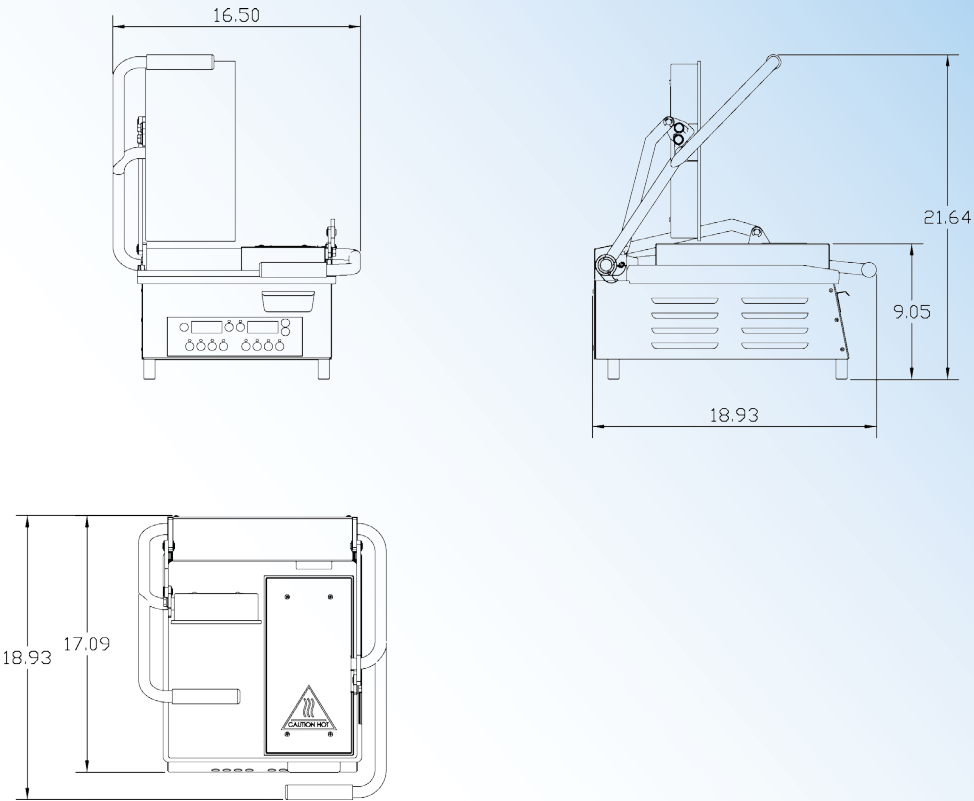
proluxe.com



PROGRILL™

High Production Grilling Perfection

SL1266A Split Lid Grill



ON/OFF Switch	Yes	Electrical Data SL1266A - 120v/50/60hz 1900w/15.8 amps - NEMA 5-20P
Programmable Timer	Yes	
Temperature Control	Yes	
Prolevel®	Up to 3" thick	Shipping Weight 78lbs/35kg
Maximum Heat	0-525 F	Machine Weight 66lbs/30kg

Power cord length 72".

Listed:



20281 Harvill Ave | Perris, CA 92570
 t: (951) 657-0379 | t: (800) 624-6717 | f: (951) 657-4594
 w: www.proluxe.com | e: info@proluxe.com