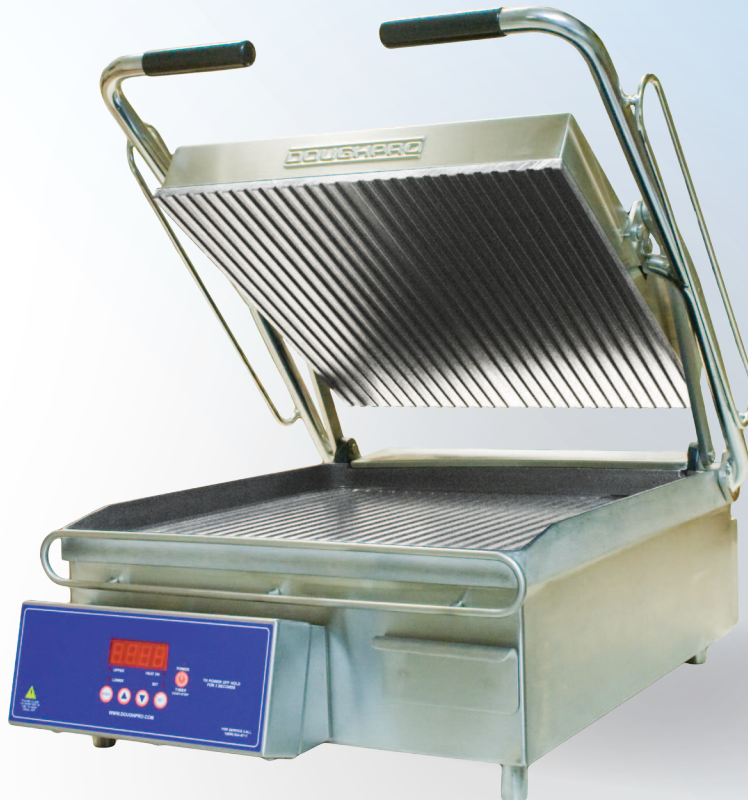


# PROGRILL™

## High Production Grill Perfection

CSD1515 Digitally Controlled High Production Grill



The ProLuxe ProGrill CSD1515 High Production Grill is engineered to provide you with reliable production and high quality product every time. The digital control make it easy to operate, and our exclusive patented manufacturing process casts the heating elements into the platen, resulting in more even heat distribution and longer life expectancy. The top and bottom platens offer adjustable convenience and easy access cleaning. The unique upper floating platen automatically adjusts to the thickness of your product for even grilling unlike any competitor. You can prepare sandwiches, steaks, chicken, vegetables, tortillas, quesadillas, burritos and many other menu items.

### Product Features:

- Fully automated, easy-to-operate on/off button
- Digital control located on front with easy to operate functionality
- Powerful heating technology offers powerful heating capability up to 450 degree F.
- 15" by 15" special heavy-duty grilling surfaces
- Cast-in heating elements creates even heating distribution and easy access for cleaning
- Cast-in heating elements are covered by our exclusive ProLuxe Limited Lifetime Warranty
- Exterior cabinet is constructed of type 302 stainless steel with cast aluminum platens

In addition to the quality execution and unique customizing capabilities, our expert technical support team supports the ProGrill High Production Grill. We are available 7 days a week to answer any questions and provide you with great, no-debate service support.

**PROLUXE** ™

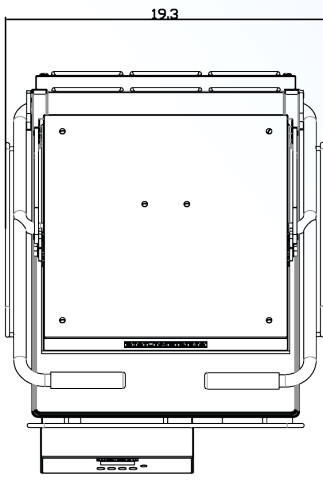
formerly DoughPro. New Name. Same Quality. Superior Service.

[proluxe.com](http://proluxe.com)

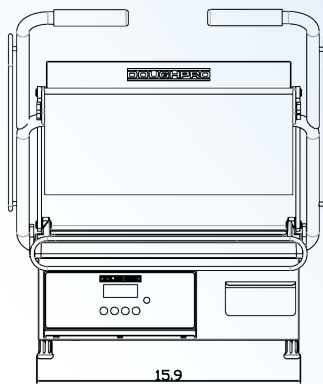
# PROGRILL™

## High Production Grill Perfection

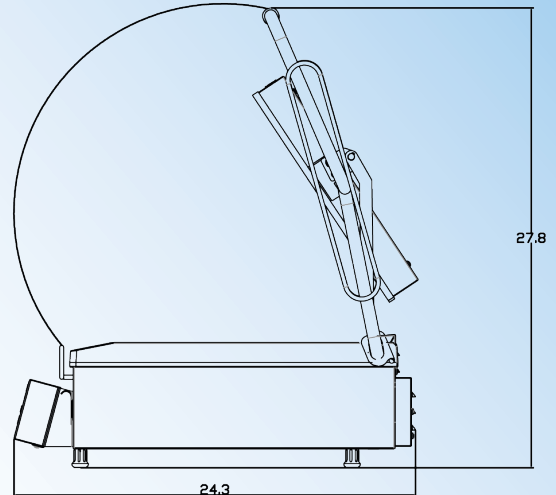
### CSD1515 Digitally Controlled High Production Grill



TOP VIEW



FRONT VIEW



RIGHT SIDE VIEW

<b>ON/OFF Switch</b>	Yes	<b>Electrical Data</b>  CSD1515A - 120v/50/60hz 2200w/18.3 amps - NEMA 5-20P  CSD1515C - 220v/50/60hz 2200w/10.0 amps - NEMA 5-20P  CSD1515E - 208v/50/60hz 2800w/13.5 amps - NEMA 6-20P  CSD1515CEC - (Europe) 220v/50/60hz 2200w/10.0 amps - NEMA 5-20P
<b>Programmable Timer</b>	Yes	
<b>Temperature Control</b>	Yes	
<b>Thickness Adjustment</b>	Yes	<b>Shipping Weight</b> 85lbs/38kg
<b>Maximum Heat</b>	0-450 F	<b>Machine Weight</b> 73lbs/33kg

Power cord length 72"

Listed:



**PROLUXE** 

20281 Harvill Ave | Perris, CA 92570  
 t: (951) 657-0379 | t: (800) 624-6717 | f: (951) 657-4594  
 w: www.proluxe.com | e: info@prolux.com