

AMERICAN RANGE®

A  Company

Project _____

Item # _____

Quantity _____

48" RESTAURANT RANGES WITH SPACE SAVER OVENS

GAS TYPE: NATURAL LP



- AR-8
- AR-12G-6B
- AR-24G-4B
- AR-36G-2B
- AR-48G

STANDARD FEATURES

- Commercial gas range 48" wide and 32 1/2" depth.
- Cooking height 36".
- Stainless steel sides, front and 6" deep front landing ledge.
- Adjustable steel legs (casters optional).
- Choose: 6" high stainless-steel stub back, high riser or high riser with shelf at no charge.
- Two year limited warranty, parts and labor.
- Base options are standard oven or storage base.

OPEN BURNERS

- 12" x 12" cast-iron top grates.
- 32,000 BTU/hr lift-off open burners.
- Removable full width drip pan under burner.

STANDARD OVEN

- Steel oven burner rated at 27,000 BTU/hr.
- Space Saver: Oven dimensions: 20"W x 26 1/2"D x 13 1/2"H.
- Thermostat ranging from 250°F to 500°F (121°C to 260°C).
- Oven Door: Spring assisted, counterweight door.
- Two chrome plated oven racks (additional racks optional).
- Two fixed rack positions.
- Porcelain enamel oven interior for easy cleaning.
- 100% safety gas shut off.

GRIDDLES

- 1" thick steel griddle plate.
- 3" wide grease collector.
- One burner every 12", rated at 20,000 BTU/hr.
- Stainless steel pilot for each burner for automatic ignition.
- Manual control valve for each burner. (Thermostatic control optional).

AVAILABLE OPTIONS

- Swivel Casters (set of four – two with front brakes).
- Storage Cabinet Base. (*In place of standard oven*).
- Thermostatic Control Griddle.



Model Shown AR-8

Shown with optional casters

DESCRIPTION

American Range, restaurant range size 48" x 32-1/2" x 56"
Stainless steel front, sides, backriser, shelf and 6" adjustable legs. Removable full width drip pan. Choose 32,000 BTU/hr. open burners with lift-off burner heads or 20,000 BTU/12" section griddle or a combo burner griddle. Heavy-duty cast iron grates, 12" x 12". Burner knobs are cool to the touch, high temperature material. Two ovens: 27,000 BTU/hr. standard oven, with porcelain interior and inside door panel, oven interior measures 20"W x 26-1/2"D x 13-1/2"H. Oven thermostat adjusts from 250°F to 500°F. Ovens supplied with two racks. Oven door with a spring assisted, counterweight mechanism requiring no adjustment. Rear gas connection and pressure regulator.



DESIGNED & BUILT IN USA
PROFESSIONAL COOKING EQUIPMENT

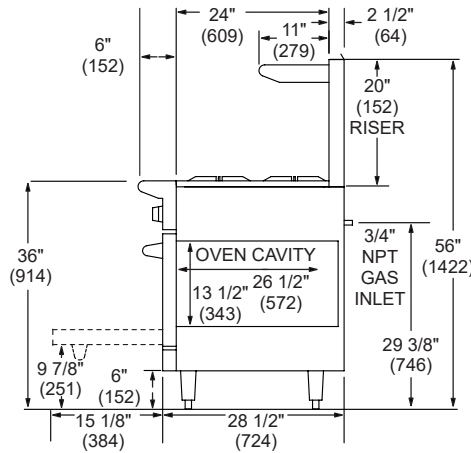
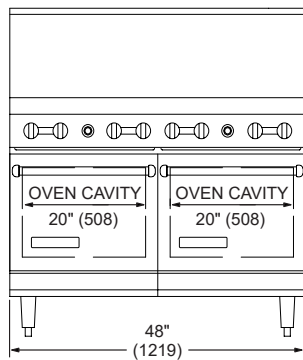
A70170 RevC 03082023

AMERICAN RANGE®

A  Company

13592 Desmond St Pacoima CA 91331
T. 818.897.0808 F. 818.897.1670
Toll Free: 888.753.9898
www.AmericanRange.com

48" RESTAURANT RANGES with two 20" ovens



TOP	MODEL	BTU	(KW)	BURNERS	GRIDDLE SIZE	Shipping Weight*	
						LBS	(KG)
	AR-8	310,000	(91)	8	N/A	600	(272)
	AR-8-DSB	256,000	(75)	8	N/A	460	(209)
	AR-12G-6B	266,000	(78)	6	12" (305 MM)	615	(279)
	AR-12G-6B-DSB	212,000	(62)	6	12" (305 MM)	475	(215)
	AR-24G-4B	222,000	(65)	4	24" (610 MM)	630	(286)
	AR-24G-4B-DSB	168,000	(49)	4	24" (610 MM)	490	(222)
	AR-36G-2B	178,000	(52)	2	36" (914 MM)	645	(293)
	AR-36G-2B-DSB	124,000	(37)	2	36" (914 MM)	505	(229)
	AR-48G	134,000	(40)	N/A	48" (1219 MM)	660	(299)
	AR-48G-DSB	80,000	(24)	N/A	48" (1219 MM)	520	(236)

Specify type of gas and altitude if over 2000 feet.

Please specify gas type when ordering.

COMBUSTIBLE WALL CLEARANCES:

For use only on non-combustible floors. Legs or casters are required, or 2" (51) overhang is required when curb mounted. Clearance from non-combustible walls is 0". When unit is placed next to combustibles walls, clearances must exceed 12" (305) from sides, and 4" (102) from rear.

Commercial cooking equipment requires an adequate ventilation system. For additional information, refer to the National Fire Protection Association's standard.

NFPA96 "Vapor Removal from Cooking Equipment." (NOTE: For North America only)

"SB" = Storage Base, "G" = Manual Griddle Top.
Griddle on the left. Contact factory for other options.

CONVECTION OVEN ELECTRICAL VOLTAGE	PHASE	AMPS
120	1	4

INNOVECTION OVEN ELECTRICAL VOLTAGE	PHASE	AMPS
120	1	1

MANIFOLD PRESSURE		
NATURAL GAS	PROPANE GAS	MANIFOLD SIZE
5.0" W.C.	10.0" W.C.	3/4" (19MM)

NMFCODE: 25970-2 Class: 85

*Shipping weight includes packaging and is approximate.

15 amps three prong cord provided



AMERICAN RANGE®

A **Hotco** Company

13592 Desmond St Pacoima CA 91331
 T. 818.897.0808 F. 818.897.1670
 Toll Free: 888.753.9898
 www.AmericanRange.com