



We put space to work.

Item # \_\_\_\_\_

Job \_\_\_\_\_

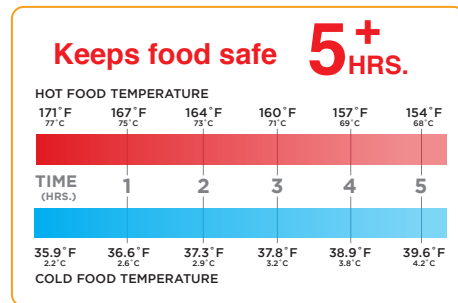
# Metro® Mightylite™ Insulated Front-Load Pan Carriers

Attractive, ultra light, and durable insulated front load pan carriers for transporting and delivering hot and cold 12x20/GN food pans to off-site locations.

- **Durable:** advanced polymer foam construction with high strength-to-weight ratio withstands impact without damage, making it perfect for lifting and withstanding the rigors of off-site food transport!
- **Ultra-light:** Mightylite front load pan carriers weigh 60% less than traditional polymer molded, urethane foam-filled carriers. ML300 weighs 9.1 lbs. (4.1kg) and ML400 is 11.3 lbs. (5.1kg)
- **Ergonomic:** convenient, integrated handles provide the ultimate flexibility to facilitate lifting, carrying, and moving in various situations. Eight handles make the job easier and allow you to lift whichever way makes you most comfortable!
- **Keeps Food Safe for 5+ Hours!** Transport hot or cold food at safe, appetizing temperatures with confidence.
- **Robust Door Design:** 270° swing door with flexible integrated seal, snaps shut and helps retain temperature. Never worry about replacing or difficult to clean gaskets again. Integrated hinges and durable elastomer travel latch are virtually unbreakable!
- **Label Holder/Whiteboard:** doubles as card holder and dry erase board, and makes identifying carrier contents and destination easier.
- **Stackable:** carriers are designed to interlock with each other and optional dolly for more efficient transportation and storage.
- **Complimentary Wire Caddy:** included with every carrier to help organize and hold common temperature maintenance tools and other odd shaped items such as quart containers.
- **Recyclable:** 100% recyclable, CFC free.



ML300 & ML400 stacked on optional dolly



## Available Door Colors



RED  
ML300  
ML400

BLUE  
ML300-BU  
ML400-BU

BLACK  
ML300-BL  
ML400-BL

All Metro Catalog Sheets are available on our website: [www.metro.com](http://www.metro.com)



ML300

ML400



**InterMetro Industries Corporation**  
North Washington Street, Wilkes-Barre, PA 18705  
Product Information. U.S. and Canada: 1.800.992.1776  
Outside U.S. and Canada: [www.metro.com/contactus](http://www.metro.com/contactus)

L03-293  
Printed in U.S.A. Rev. 1/19

Information and specifications are subject to change without notice. Please confirm at time of order.

Copyright © 2019 InterMetro Industries Corp.



Metro® Mightylite™ Insulated Front-Load Pan Carriers

13.60

Job \_\_\_\_\_



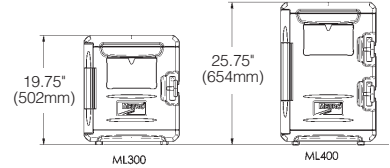
We put space to work.®

# Metro<sup>®</sup> Mightylite<sup>™</sup> Insulated Front-Load Pan Carriers

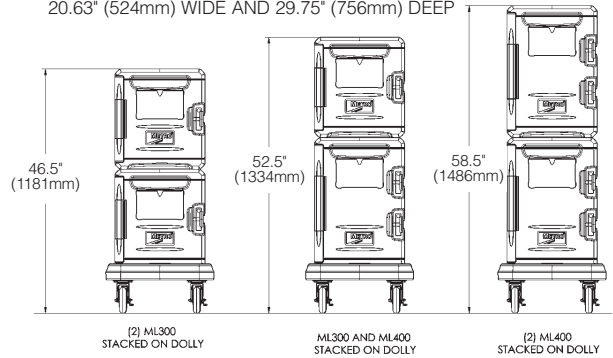
## Specifications

- **Carrier Construction:** Lightweight, thermally insulated, impact absorbing, eco-friendly engineered plastic foam body and door made of expanded polypropylene (EPP). 2" (51mm) thick walls.
- **Door:** 270° swing flush, vaulted door with flexible integrated door seal and large 5.5" (140mm) x 8.5" (216mm) clear polyester label holder/whiteboard.
- **Hinge:** Integral to carrier body, with heavy-duty <sup>5</sup>/<sub>16</sub>" (8mm) diameter stainless steel pin.
- **Travel Latch:** Heavy-duty elastomer travel latch, secured to body with <sup>5</sup>/<sub>16</sub>" (8mm) diameter stainless steel pin. Removable without the use of tools.
- **Pan Slides:** Integral to carrier walls, spaced on 1 1/2" centers.

CARRIERS ARE 17.25" (438mm) WIDE AND 27" (686mm) DEEP



CARRIERS STACKED ON DOLLY ARE 20.63" (524mm) WIDE AND 29.75" (756mm) DEEP



## Accessories

- **Dolly (MLD1):** Constructed of heavy-duty high density polyethylene (HDPE) construction reinforced with aluminum caster channels. Designed to transport carriers or milk crates. Can be stored on top of carrier, strap included.
- **Thermal Partition (MLP1):** Lightweight, insulated EPP construction, helps avoid accelerated food temperature loss or gain inside partially full carriers, or used to separate hot and cold food in the same carrier.
- **Heater (MLH1):** Stainless steel, thermostatically controlled add-on carrier heater. Great for applications where carriers are frequently accessed or not 100% full, or simply when added heat is desired to keep food hotter, safer, and more appetizing.
- **Wire Caddy (MLC1):** Has multiple uses: can hold hot and cold packs to extend holding times, support disposable aluminum pans, or securely transport quart containers.
- **Carrying Strap (MLS1):** Heavy-duty, adjustable strap that can be reconfigured for one or two person carrying. Designed to work with top-load and front-load carriers.



MLD1 Dolly (includes strap)



MLP1 Thermal Partition & MLC1 Wire Caddy inside ML300



MLH1 (120V), MLHX1 (240V) Heater



MLS1 Carrying Strap

Model	Description	Dimensions (W x D x H)		12" x 20" – GN 1/1 Pan Capacity			Food Capacity (approx.)	Shipping	
		(in)	(mm)	2.5" 65mm	4" 100mm	6" 150mm		Pkd. Wt.	Volume
ML300	4 Pan Front-load Pan Carrier	17.25 x 27 x 19.75	438 x 686 x 502	4	3	2	45 qts (42.5 L)	11.6 lbs. (5.3 kg)	5.7 ft <sup>3</sup> (.16 m <sup>3</sup> )
ML400	6 Pan Front-load Pan Carrier	17.25 x 27 x 25.75	438 x 686 x 654	6	4	3	60 qts (56.8 L)	14.1 lbs. (6.4 kg)	7.3 ft <sup>3</sup> (.21 m <sup>3</sup> )

ML300 & ML400 will also hold 1/3, 1/2, 2/3 fractional sized hotel/GN pans.

Note: Part number for carrier with red lid is indicated above. For alternate door color options, select part numbers from the color chart on page 1.

an Ali Group Company



The Spirit of Excellence