



Item # _____

Job _____



POLYMER UTILITY CARTS: DEEP LEDGE SERIES

Metro's Deep Ledge Series Utility Carts are designed for a wide variety of applications.

- **Ultimate Cleanability:** Smooth surfaces are designed to resist staining and wipe clean easily.
- **Corrosion-Proof Shelves:** All-polymer shelf will never corrode.
- **Contains Spills:** Deep Ledge Series shelves feature a deeper 2³/₄" (70mm) ledge to contain product or spills.
- **Specific Models with Microban® product protection:** The blue Deep Ledge models ending in "MB" have built in Microban® product protection. This inhibits the growth of bacteria, mold, mildew, and fungi that cause odors, stains, and product degradation.
- **Attractive Aesthetics** allow for use in a variety of applications.
- **Sturdy Construction:** Each shelf can hold up to 150 lbs. (68kg), while each cart can hold up to 400 lbs. (180k).
- **Easy-to-Adjust:** Optional center shelf adjusts on 1" (25mm) increments.
- **Ergonomic Handle** designed for easy use.
- **Easy, No-Tool Assembly:** Ships knocked down.
- **Deep Ledge Series carts are NSF listed.**



Deep Ledge Cart
(3-shelf)



Deep Ledge Cart
(2-shelf)

Colors for Deep Ledge Series:



Gray



Black



Blue
with built-in
Microban antimicrobial
product protection

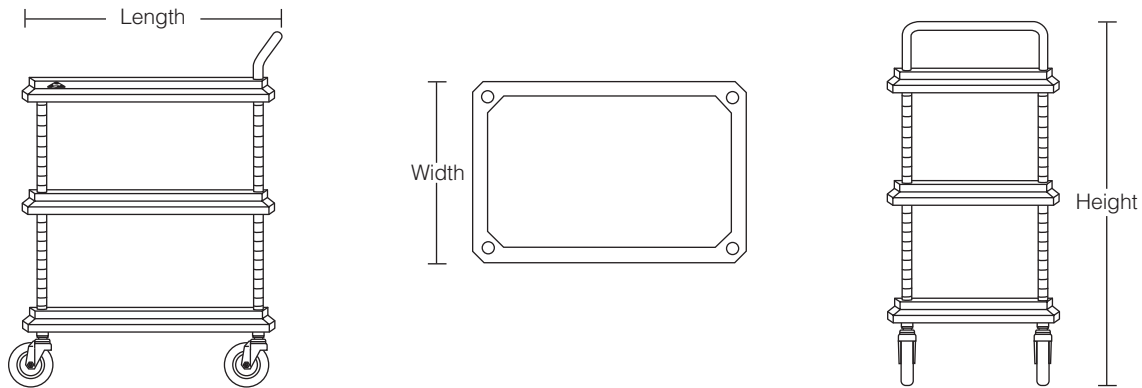
*Microban® and the Microban® symbol are registered trademarks of the Microban Products Company, Huntersville, NC.



InterMetro Industries Corporation
North Washington Street
Wilkes-Barre, PA 18705
www.metro.com



POLYMER UTILITY CARTS: DEEP LEDGE SERIES



Deep Ledge Series Carts

Cart is available in 2-shelf and 3-shelf models.

Model No.*	Description	Width/Length/Height		Approx. Pkd. Wt.	
		(in.)	(mm)	(lbs.)	(kg)
BC2030-2D	2-shelf unit	21 ¹ / ₂ x32 ³ / ₄ x41	546x831x1041	29	31.1
BC2030-3D	3-shelf unit	21 ¹ / ₂ x32 ³ / ₄ x41	546x831x1041	37 ¹ / ₂	17.0
BC2636-2D	2-shelf unit	27x38 ³ / ₄ x41	685x984x1041	35	15.9
BC2636-3D	3-shelf unit	27x38 ³ / ₄ x41	685x984x1041	46 ¹ / ₂	21.1

Colors available are: Gray (G), and Black (BL).

*Add color designation to part number when specifying, i.e.: BC2030-3D**G** = Three-shelf deep ledge cart in Gray.

Note: Models feature (4) 4" (102mm) diameter swivel casters.



**Deep Ledge
Utility Cart**

Deep Ledge Carts with Microban® Product Protection

(Blue color only)

Model No.	Description	Width/Length/Height		Approx. Pkd. Wt.	
		(in.)	(mm)	(lbs.)	(kg)
BC2030-2DMB	2-Shelf Unit	21 ¹ / ₂ x32 ³ / ₄ x41	546x832x1041	29	13.1
BC2030-3DMB	3-Shelf Unit	21 ¹ / ₂ x32 ³ / ₄ x41	546x832x1041	37 ¹ / ₂	17.0
BC2636-2DMB	2-Shelf Unit	27x38 ³ / ₄ x41	685x984x1041	35	16.9
BC2636-3DMB	3-Shelf Unit	27x38 ³ / ₄ x41	685x984x1041	46 ¹ / ₂	21.1

Note: Models feature (4) 4" (102mm) diameter swivel casters.

Additional Intermediate Shelves

Model No.*	Width/Length		Approx. Pkd. Wt.	
	(in.)	(mm)	(lbs.)	(kg)
BC2030D-	21 ¹ / ₂ x32	546x813	8.5	3.9
BC2636D-	27x38	686x965	11.5	5.2

*Colors available are: Gray (G), Black (BL), Blue with built-in Microban product protection (MB). Add color designation to part number when specifying, i.e.: BC2030D-**G** = 20"x30" Gray Intermediate Deep Ledge Shelf.



POLYMER UTILITY CARTS: DEEP LEDGE SERIES

Accessories



*Deep Ledge Series with Wastebasket
and Utility Bin Accessories*

Model No.	Description	Fits Cart	Width/Height/Depth		Approx. Pkd. Wt.	
			(in.)	(mm)	(lbs.)	(kg)
MF222	Wastebasket Only	Deep Ledge Series	14 ³ / ₈ x15 ³ / ₈ x10 ³ / ₈	365x391x264	2.8	1.3
BCWB2D	Wastebasket (including holder)	BC2030-D	21 ¹ / ₄ x27 ¹ / ₂ x13 ¹ / ₄	540x700x337	8.0	3.8
BCUB2D	Utility Bin (including holder)	BC2030-D	21 ¹ / ₄ x7 ³ / ₄ x14 ¹ / ₂	540x197x368	6.0	2.7
UB1	Utility Bin Only	Deep Ledge Series	16 ³ / ₈ x6x11	416x152x279	2	0.9

Specifications

Bin — ABS thermoplastic
Wastebasket — polyethylene

All Metro Catalog Sheets are available on our website: www.metro.com



InterMetro Industries Corporation
North Washington Street, Wilkes-Barre, PA 18705
Phone: 570-825-2741
Product Information. U.S. and Canada: 1.800.992.1776
Outside U.S. and Canada: www.metro.com/contactus

L03-074A
Printed in U.S.A. Rev. 11/14

Information and specifications are subject to
change without notice. Please confirm at time of order

Copyright © 2014 InterMetro Industries Corp.