



Item # \_\_\_\_\_

Job \_\_\_\_\_



## POLYMER UTILITY CARTS: DEEP LEDGE SERIES

Metro's Deep Ledge Series Utility Carts are designed for a wide variety of applications.

- **Ultimate Cleanability:** Smooth surfaces are designed to resist staining and wipe clean easily.
- **Corrosion-Proof Shelves:** All-polymer shelf will never corrode.
- **Contains Spills:** Deep Ledge Series shelves feature a deeper 2<sup>3</sup>/<sub>4</sub>" (70mm) ledge to contain product or spills.
- **Specific Models with Microban® product protection:** The blue Deep Ledge models ending in "MB" have built in Microban® product protection. This inhibits the growth of bacteria, mold, mildew, and fungi that cause odors, stains, and product degradation.
- **Attractive Aesthetics** allow for use in a variety of applications.
- **Sturdy Construction:** Each shelf can hold up to 150 lbs. (68kg), while each cart can hold up to 400 lbs. (180k).
- **Easy-to-Adjust:** Optional center shelf adjusts on 1" (25mm) increments.
- **Ergonomic Handle** designed for easy use.
- **Easy, No-Tool Assembly:** Ships knocked down.
- **Deep Ledge Series carts are NSF listed.**



*Deep Ledge Cart  
(3-shelf)*



*Deep Ledge Cart  
(2-shelf)*

### Colors for Deep Ledge Series:



*Gray*



*Black*



*Blue  
with built-in  
Microban antimicrobial  
product protection*

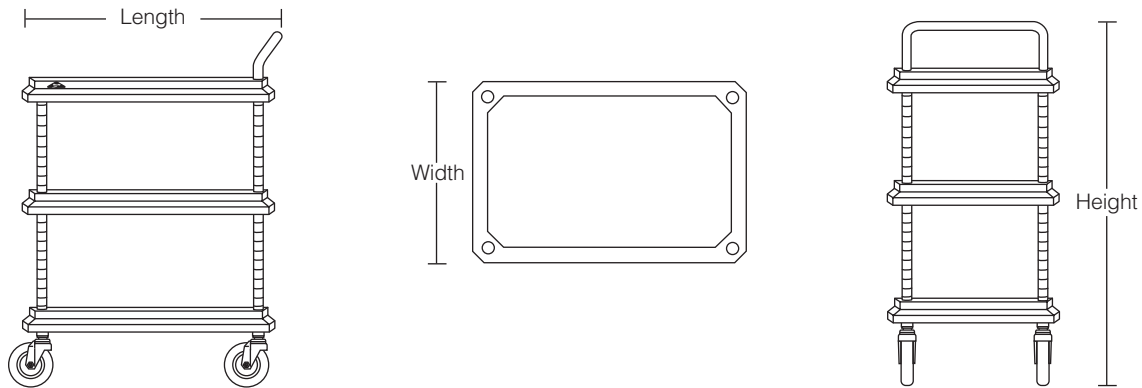
\*Microban® and the Microban® symbol are registered trademarks of the Microban Products Company, Huntersville, NC.



**InterMetro Industries Corporation**  
North Washington Street  
Wilkes-Barre, PA 18705  
www.metro.com



# POLYMER UTILITY CARTS: DEEP LEDGE SERIES



## Deep Ledge Series Carts

Cart is available in 2-shelf and 3-shelf models.

| Model No.* | Description  | Width/Length/Height  |              | Approx. Pkd. Wt.               |      |
|------------|--------------|--|--------------|--------------------------------|------|
|            |              | (in.)  | (mm)         | (lbs.)                         | (kg) |
| BC2030-2D  | 2-shelf unit | 21 <sup>1</sup> / <sub>2</sub> x32 <sup>3</sup> / <sub>4</sub> x41 | 546x831x1041 | 29                             | 31.1 |
| BC2030-3D  | 3-shelf unit | 21 <sup>1</sup> / <sub>2</sub> x32 <sup>3</sup> / <sub>4</sub> x41 | 546x831x1041 | 37 <sup>1</sup> / <sub>2</sub> | 17.0 |
| BC2636-2D  | 2-shelf unit | 27x38 <sup>3</sup> / <sub>4</sub> x41                              | 685x984x1041 | 35                             | 15.9 |
| BC2636-3D  | 3-shelf unit | 27x38 <sup>3</sup> / <sub>4</sub> x41                              | 685x984x1041 | 46 <sup>1</sup> / <sub>2</sub> | 21.1 |

Colors available are: Gray (G), and Black (BL).

\*Add color designation to part number when specifying, i.e.: BC2030-3D**G** = Three-shelf deep ledge cart in Gray.

**Note:** Models feature (4) 4" (102mm) diameter swivel casters.



**Deep Ledge  
Utility Cart**

## Deep Ledge Carts with Microban® Product Protection

(Blue color only)

| Model No.   | Description  | Width/Length/Height  |              | Approx. Pkd. Wt.               |      |
|-------------|--------------|--|--------------|--------------------------------|------|
|             |              | (in.)  | (mm)         | (lbs.)                         | (kg) |
| BC2030-2DMB | 2-Shelf Unit | 21 <sup>1</sup> / <sub>2</sub> x32 <sup>3</sup> / <sub>4</sub> x41 | 546x832x1041 | 29                             | 13.1 |
| BC2030-3DMB | 3-Shelf Unit | 21 <sup>1</sup> / <sub>2</sub> x32 <sup>3</sup> / <sub>4</sub> x41 | 546x832x1041 | 37 <sup>1</sup> / <sub>2</sub> | 17.0 |
| BC2636-2DMB | 2-Shelf Unit | 27x38 <sup>3</sup> / <sub>4</sub> x41                              | 685x984x1041 | 35                             | 16.9 |
| BC2636-3DMB | 3-Shelf Unit | 27x38 <sup>3</sup> / <sub>4</sub> x41                              | 685x984x1041 | 46 <sup>1</sup> / <sub>2</sub> | 21.1 |

**Note:** Models feature (4) 4" (102mm) diameter swivel casters.

## Additional Intermediate Shelves

| Model No.* | Width/Length                       |         | Approx. Pkd. Wt. |      |
|------------|------------------------------------|---------|------------------|------|
|            | (in.)                              | (mm)    | (lbs.)           | (kg) |
| BC2030D-   | 21 <sup>1</sup> / <sub>2</sub> x32 | 546x813 | 8.5              | 3.9  |
| BC2636D-   | 27x38                              | 686x965 | 11.5             | 5.2  |

\*Colors available are: Gray (G), Black (BL), Blue with built-in Microban product protection (MB). Add color designation to part number when specifying, i.e.: BC2030D-**G** = 20"x30" Gray Intermediate Deep Ledge Shelf.



## POLYMER UTILITY CARTS: DEEP LEDGE SERIES

### Accessories



*Deep Ledge Series with Wastebasket  
and Utility Bin Accessories*

| Model No. | Description                    | Fits Cart         | Width/Height/Depth   |             | Approx. Pkd. Wt. |      |
|-----------|--------------------------------|-------------------|--|-------------|------------------|------|
|           |                                |                   | (in.)  | (mm)        | (lbs.)           | (kg) |
| MF222     | Wastebasket Only               | Deep Ledge Series | 14 <sup>3</sup> / <sub>8</sub> x15 <sup>3</sup> / <sub>8</sub> x10 <sup>3</sup> / <sub>8</sub> | 365x391x264 | 2.8              | 1.3  |
| BCWB2D    | Wastebasket (including holder) | BC2030-D          | 21 <sup>1</sup> / <sub>4</sub> x27 <sup>1</sup> / <sub>2</sub> x13 <sup>1</sup> / <sub>4</sub> | 540x700x337 | 8.0              | 3.8  |
| BCUB2D    | Utility Bin (including holder) | BC2030-D          | 21 <sup>1</sup> / <sub>4</sub> x7 <sup>3</sup> / <sub>4</sub> x14 <sup>1</sup> / <sub>2</sub>  | 540x197x368 | 6.0              | 2.7  |
| UB1       | Utility Bin Only               | Deep Ledge Series | 16 <sup>3</sup> / <sub>8</sub> x6x11   | 416x152x279 | 2                | 0.9  |

#### Specifications

Bin — ABS thermoplastic  
Wastebasket — polyethylene

All Metro Catalog Sheets are available on our website: [www.metro.com](http://www.metro.com)



**InterMetro Industries Corporation**  
North Washington Street, Wilkes-Barre, PA 18705  
Phone: 570-825-2741  
Product Information. U.S. and Canada: 1.800.992.1776  
Outside U.S. and Canada: [www.metro.com/contactus](http://www.metro.com/contactus)

L03-074A  
Printed in U.S.A. Rev. 11/14

Information and specifications are subject to  
change without notice. Please confirm at time of order

Copyright © 2014 InterMetro Industries Corp.