



# CONVECTION OVEN

## CONCEPT

### COUNTERTOP CONVECTION OVENS

*From pastries to entrees...  
Bakes fast and evenly, intensifies and seals in flavor*

- Stainless steel exterior and interior construction
- 2 or 3 wire rack models; 4 bake tray capacity
- Rear fan and heater assembly creates true convection pattern
- Unique air flow design ensures quick and uniform baking
- 480°F thermostat and 120 minute timer
- Safety glass door with handle
- Aluminum bake pan included
- Compact footprint

### WINDSTAR

**FC-26 /1**  
120 V

**FC-26**  
208/240 V



**CAPACITY:** 2 wire racks and 1 bake tray included;  
4 bake trays (not included)

### BRIZA

**FC-280V/1**  
120 V

**FC-280V**  
208/240 V



### SIROCCO

**FC-34/1**  
120 V

**FC-34**  
208/240 V



**CAPACITY:** 3 wire racks and 1 bake tray included;  
4 bake trays (not included)

### TEMPEST

**FC-33/1**  
120 V

**FC-33**  
208/240 V



#### Convection oven/broiler

All features of FC-34 with two quartz heating elements overhead - convection and broiling modes operate separately



765 WESTMINSTER STREET PROVIDENCE, RI 02903  
TEL: (401)273-3300 FAX: (401)273-3328 E-mail: sales@equipex.com  
www.equipex.com





## CONVECTION OVEN/BROILER

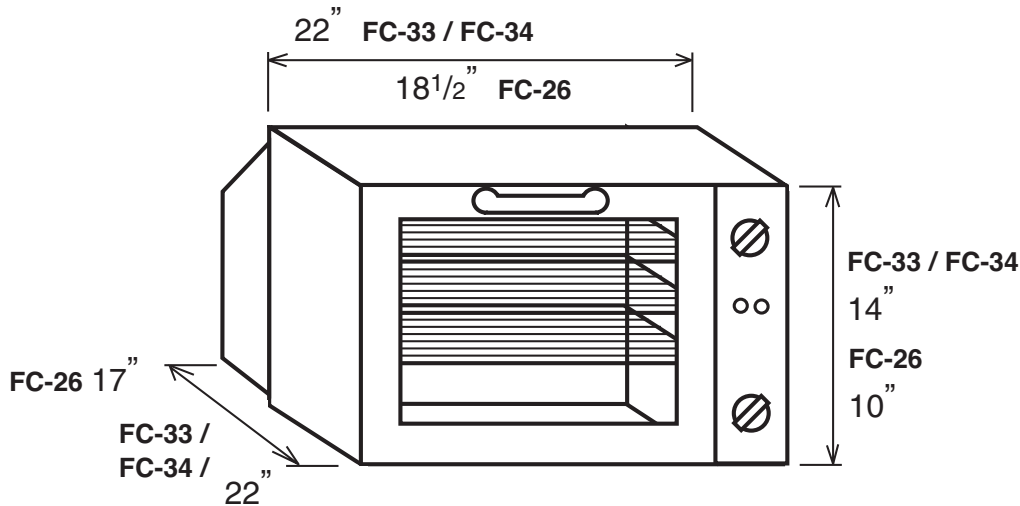
**FC-33/1**

**FC-33**

All features of FC-34 with two quartz heating elements overhead - convection and broiling modes operate separately

## CONVECTION OVENS

FC-26, FC-26/1, FC-34, FC-34/1



INSTALLATION CLEARANCE: 2" EACH SIDE, TOP AND 3" AT BACK

## SPECIFICATIONS

| MODEL     | ELECTRICAL                     | EXTERIOR DIMENSIONS        | INTERIOR DIMENSIONS        | SHIPPING WEIGHT | NEMA   |
|-----------|--------------------------------|----------------------------|----------------------------|-----------------|--------|
| FC-26     | 208/240V, 1PH, 2KW, 7/9 Amps   | 18 1/2"Wx17"Dx10"H         | 14"Wx12"Dx9"H              | 35 lbs          | 6-15 P |
| FC-26/1   | 120V, 1.7KW, 15 Amps           | 18 1/2"Wx17"Dx10"H         | 14"Wx12"Dx9"H              | 35 lbs          | 5-15 P |
| FC-33     | 208/240V, 1PH, 3KW, 13/15 Amps | 22"Wx22"Dx14"H             | 16 3/8"Wx13 3/4"Dx10 3/8"H | 45 lbs          | 6-15 P |
| FC-33/1   | 120V, 1.7KW, 15 Amps           | 22"Wx22"Dx14"H             | 16 3/8"Wx13 3/4"Dx10 3/8"H | 45 lbs          | 5-15 P |
| FC-34     | 208/240V, 1PH, 3KW, 13/15 Amps | 22"Wx22"Dx14"H             | 16 3/8"Wx13 3/4"Dx10 3/8"H | 45 lbs          | 6-15 P |
| FC-34/1   | 120V, 1.7KW, 15 Amps           | 22"Wx22"Dx14"H             | 16 3/8"Wx13 3/4"Dx10 3/8"H | 45 lbs          | 5-15 P |
| FC-280V   | 208/240V, 1PH, 2KW, 7/9 Amps   | 14 1/2"Wx21 1/8"Dx19 1/2"H | 10 1/4"Wx12 5/8"Dx13"H     | 44 lbs          | 6-15 P |
| FC-280V/1 | 120V, 1.7KW, 15 Amps           | 14 1/2"Wx21 1/8"Dx19 1/2"H | 10 1/4"Wx12 5/8"Dx13"H     | 44 lbs          | 5-15 P |

**WARRANTY: Limited one year parts and labor**



765 WESTMINSTER STREET PROVIDENCE, RI 02903  
TEL: (401)273-3300 FAX: (401)273-3328 E-mail: sales@equipex.com  
www.equipex.com