



GEMD270

Features

- Space-saving 15" (381 mm) wide design.
- Produces up to 273 lbs (124 kg) of ice per day.
- Stores 12 lbs (5.5 kg) of ice.
- Rapid Recovery Time – 11.4 lbs (5.2 kg) of ice per hour.
- Touch-Free Dispense – infrared actuation provides easy sanitary operation.
- Sanitary plastic chute is easy to remove and clean.
- Quiet Operation – ideal for healthcare, cafeteria, restaurant and office applications.
- Pearl Ice® soft, chewable ice crystals.
- Lighted key-pad for easy dispensing selection – ice only, ice water, water only or dispensing for pitchers.
- Larger sink allows more clearance for larger containers.

GEMD270 PEARL ICE®/WATER DISPENSER

Options & Accessories

| WATER FILTERS | | | |
|-------------------|----------|-------------|----------------|
| Ice Machine Model | Manifold | | Inline |
| | System | Replacement | System |
| GEMD270 | N/A | N/A | IF14C or IF18C |

Ice Maker Warranty

Every Ice-O-Matic ice maker is backed by a warranty that provides both parts and labor coverage.

- Two years **Parts** and **Labor**.
- Five years **Parts** coverage on the compressor.

Ice Form



PEARL ICE

PEARL ICE DIMENSIONS

| | |
|----------------|------------|
| H x Dia. (in.) | 1/2 x 3/8 |
| H x Dia. (mm) | 12.7 x 9.5 |

24 Hour Ice Production

| Based on Air/Water Temperatures | 24 Hour Production lbs/kg |
|---------------------------------|---------------------------|
| 70° F/50° F | 273/124 |
| 90° F/70° F | 198/90 |

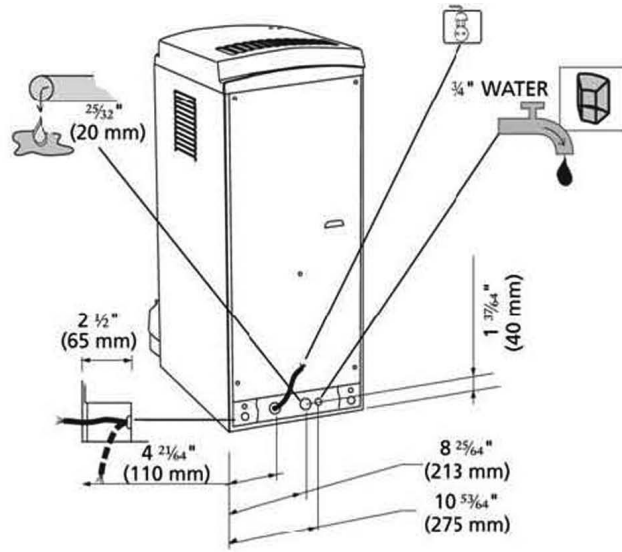
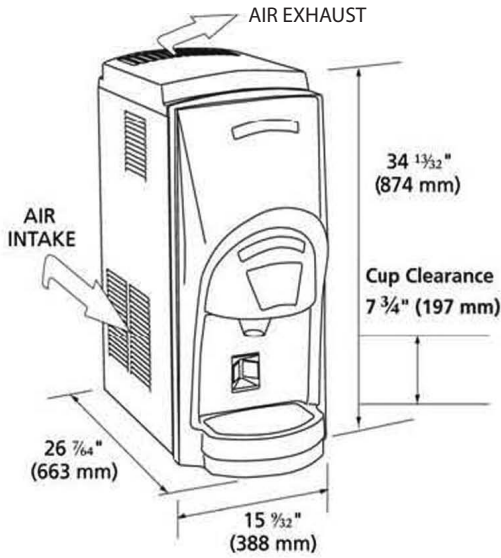




GEMD270 - PEARL ICE® ICE/WATER DISPENSER



GEMD270 PEARL ICE® / WATER DISPENSER



Operating Requirements

| | MINIMUM | MAXIMUM |
|-------------------------|-------------------|-------------------|
| | 60 Hz | |
| Ambient Temp. Range Air | 50°F (10°C) | 100°F (38°C) |
| Water Temp. | 40°F (4.4°C) | |
| Water Pressure | 20 PSIG (1.4 BAR) | 80 PSIG (5.6 BAR) |
| Electrical Voltage | -5% | +10% |

Dimensions

| ALL MODELS | |
|-----------------|--------------------|
| W x D x H (in.) | 15.3 x 26.1 x 34.4 |
| W x D x H (mm) | 388 x 663 x 874 |

Specifications

| Model Number | Cond. Unit | Ice Production per 24hrs | | Water Usage gallons per 100 lbs of Ice 90°F air/70°F water | | kWH Used per 100 lbs of ice @ 90°F air/70°F water | Voltage Characteristics | Min. Circuit Ampacity | Fuse Size | Approx. BTUs per hour |
|--------------|------------|------------------------------|------------------------------|---|-----------|---|-------------------------|-----------------------|-----------|-----------------------|
| | | 70°F air/50°F water lbs (kg) | 90°F air/70°F water lbs (kg) | Potable | Condenser | | | | | |
| GEMD270A | Air | 273 (124) | 198 (90) | 24 (91) | - | 13 | 115/60/1 | 6.0 | 15 | 161 (73) |

NOTES:

- 1 lb. apx. = 32 fl. oz.
- Vends per hour are based on 70°F Air/50°F Water
- It is possible to change the "Ice-Only" default setting to a different default setting by pushing the corresponding button for 5 seconds (factory default if "Ice-Only").
- Cordset included

Number of Vends (Servings) Per Hour From Full Bin + Recovery = Total Vends

| Model Number | Bin Storage lbs/kg | 1 Hour Recovery Cap. lbs/kg | 2 fl. oz. Bin | 2 fl. oz. Recovery | Total 2 fl. oz. Vends | 4 fl. oz. Bin | 4 fl. oz. Recovery | Total 4 fl. oz. Vends | 6 fl. oz. Bin | 6 fl. oz. Recovery | Total 6 fl. oz. Vends | 8 fl. oz. Bin | 8 fl. oz. Recovery | Total 8 fl. oz. Vends |
|--------------|--------------------|-----------------------------|---------------|--------------------|-----------------------|---------------|--------------------|-----------------------|---------------|--------------------|-----------------------|---------------|--------------------|-----------------------|
| GEMD270A | 12/5.5 | 11.4/5.2 | 192 | + 182 | = 374 | 96 | + 97 | = 187 | 64 | + 61 | = 125 | 48 | + 46 | = 94 |