



GEMO650 ON IOD200

## Features

- Space-saving 21" (533 mm) wide design.
- Produces up to 770 lbs (349 kg) of ice per day.
- Pearl Ice® soft, chewable ice crystals.
- Cools beverages faster and longer while maintaining flavors better.
- Decreased water and power usage compared to cube ice makers.
- SystemSafe load monitoring system constantly checks workload on gearbox, shutting down system before a problem develops and preventing costly repairs.
- Water Sensor eliminates low or no water failures and cannot be affected by adverse water conditions.
- Rugged stainless steel evaporator and auger ensures reliability.
- Industrial-grade roller bearings and heavy-duty gearbox provide years of trouble-free service.

GEMO650/O655 PEARL ICE® MAKER

## Options & Accessories

| WATER FILTERS     |          |             |        |
|-------------------|----------|-------------|--------|
| Ice Machine Model | Manifold |             | Inline |
|                   | System   | Replacement | System |
| GEMO650           | IFQ1     | IOMQ (1)    | N/A    |
| GEMO655           |          |             |        |

## Ice Maker Warranty

Every Ice-O-Matic ice maker is backed by a warranty that provides both parts and labor coverage.

- Three years **Parts** and **Labor** for all Pearl Ice® ice maker parts.
- Five years **Parts** coverage on the compressor.

## Ice Form



### PEARL ICE

#### PEARL ICE DIMENSIONS

|                |            |
|----------------|------------|
| H x Dia. (in.) | 1/2 x 3/8  |
| H x Dia. (mm)  | 12.7 x 9.5 |

## Bin Chart Kits for Combining Wider Bins with Smaller Models

| ICE STORAGE BINS |                   |                                    |                                    |                                    |                                    |                                    |                                     |                                     |                                      |                                      |                                      |
|------------------|-------------------|------------------------------------|------------------------------------|------------------------------------|------------------------------------|------------------------------------|-------------------------------------|-------------------------------------|--------------------------------------|--------------------------------------|--------------------------------------|
| Kits             | Model No.         | B25                                | B40                                | B42                                | B55                                | B70-30                             | B90-30                              | B100                                | B120                                 | B150                                 | B170                                 |
|                  | Capacity<br>Width | 242 lbs (110 kg)<br>30 in (762 mm) | 344 lbs (156 kg)<br>30 in (762 mm) | 351 lbs (160 kg)<br>22 in (559 mm) | 510 lbs (232 kg)<br>30 in (762 mm) | 741 lbs (337 kg)<br>30 in (762 mm) | 1023 lbs (465 kg)<br>30 in (762 mm) | 854 lbs (388 kg)<br>48 in (1219 mm) | 1142 lbs (519 kg)<br>48 in (1219 mm) | 1447 lbs (658 kg)<br>60 in (1524 mm) | 1807 lbs (821 kg)<br>60 in (1524 mm) |
|                  | GEMO650           | KBT19                              |                                    | KBT24                              | KBT19                              | N/A                                |                                     | KBT23                               |                                      | N/A                                  |                                      |
|                  | GEMO650 (2)       | N/A                                |                                    |                                    |                                    |                                    |                                     | KBT22                               |                                      |                                      |                                      |
|                  | GEMO655           | KBT19                              |                                    | KBT24                              | KBT19                              |                                    |                                     | KBT23                               |                                      |                                      |                                      |
|                  | GEMO655 (2)       | N/A                                |                                    |                                    |                                    |                                    |                                     | KBT22                               |                                      |                                      |                                      |

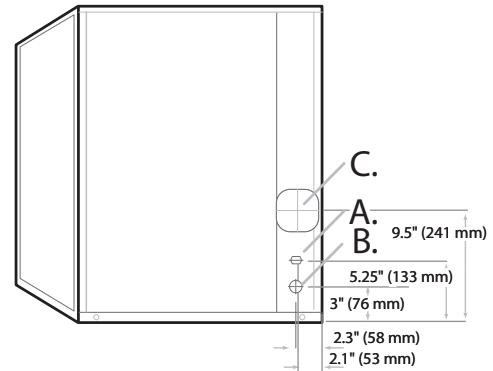
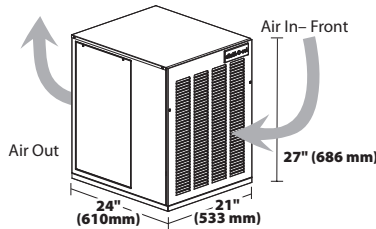
\*See Ice-O-Matic Price List for Adapter Kits to combine ice makers with most available ice/beverage dispensers



## Air Cooled

Please note: air-cooled units require 6" (152 mm) clearance for air intake and exhaust.

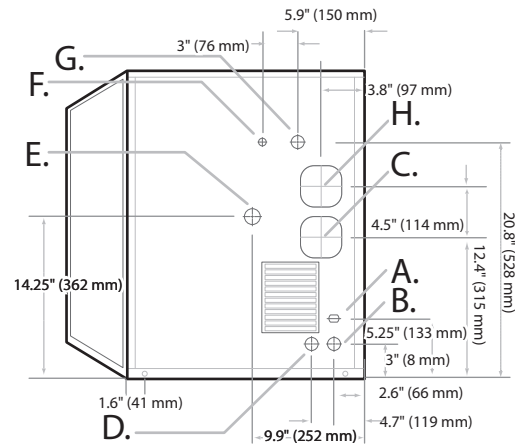
- A. Ice maker potable water in, 3/8" FPT.
- B. Ice maker water out, 3/4" FPT.
- C. Electrical inlet.



Rear View Air Cooled

## Water Cooled/Remote

- A. Ice maker water in, 3/8" FPT.
- B. Ice maker water out, 3/4" FPT.
- C. Electrical inlet.
- D. Condenser water in, 3/8" (water cooled only).
- E. Condenser water out, 1/2" (water cooled only).
- F. Liquid line, 3/8" male coupling for precharged line set (remote only).
- G. Discharge line, 1/2" male coupling for precharged line set (remote only).
- H. Remote condenser junction box (remote only).



Rear View Water Cooled & Remote

## Operating Requirements

|                         | MINIMUM           | MAXIMUM            |      |
|-------------------------|-------------------|--------------------|------|
|                         |                   | 60 Hz              | 50Hz |
| Ambient Temp. Range Air | 50°F (10°C)       | 100°F (38°C)       |      |
| Water Temp.             | 40°F (4.4°C)      | 100°F (38°C)       |      |
| Water Pressure          | 20 PSIG (1.4 BAR) | 120 PSIG (8.3 BAR) |      |
| Remote Cond. Temps      | -20°F (-29°C)     | 120°F (50°C)       |      |

## Dimensions

| ALL MODELS      |                 |
|-----------------|-----------------|
| W x D x H (in.) | 21 x 24 x 27    |
| W x D x H (mm)  | 533 x 610 x 686 |

## Specifications

| Model Number | Cond. Unit | Ice Production per 24hrs                   |  | Water Usage gallons per 100 lbs (45 kg) of ice |           | kWH Used per 100 lbs (45 kg) of ice @ 90°F (32°C) air/70°F (21°C) water | Voltage Characteristics | Min. Circuit Ampacity | Fuse Size | Approx. BTUs per hour** |
|--------------|------------|--|--|--|-----------|---|-------------------------|-----------------------|-----------|-------------------------|
|              |            | 70°F (21°C) air/50°F (10°C) water lbs (kg) | 90°F (32°C) air/70°F (21°C) water lbs (kg) | Potable  | Condenser |   |                         |                       |           |                         |
| GEMO650A     | Air        | 740 (336)                                  | 550 (249)                                  | 12.0   | -         | 5.31  | 115/60/1                | 21.0                  | 30        | 5,600                   |
| GEMO650W     | Water      | 770 (349)                                  | 633 (287)                                  |  | 115       | 3.4   |                         |                       |           |                         |
| GEMO650R     | Remote*    | 770 (349)                                  | 600 (272)                                  |  | -         | 6.01  |                         | 23.5                  |           |                         |
| GEMO655A     | Air        | 665 (302)                                  | 494 (224)                                  |  | 87.5      | 3.7   | 230/50/1                | 10.1                  | 15        | 4,400                   |
| GEMO655W     | Water      | 699 (317)                                  | 578 (262)                                  |  |           |   |                         | 9.5                   |           |                         |

\*Requires Remote GRC 1001 Condenser. \*\*BTUH is calculated 0°F Evaporator, 100°F Condensing, and 33 PSIG.

### NOTES:

Number of Wires: 3 (including ground)  
 Approx. Shipping Weight lbs (kg): GEMO650A 205 (93) • GEMO650W 220 (100) • GEMO650R 220 (100) • GEMO655A 205 (93) • GEMO655W 200 (91)  
 Refrigerant Type: R404A

GEMO650/O655 PEARL ICE® MAKER