
FT

Four Tub Storage
Freezer



FT4

Click here to buy now!

Central
RESTAURANT PRODUCTS

1-866-285-1252

 **Excellence**
Industries

Profit from the Power of Partnership.

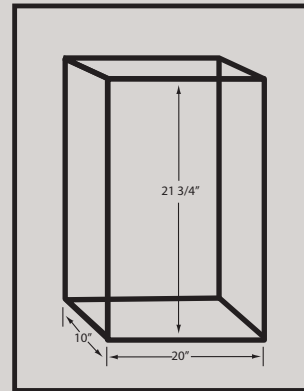
800.441.4014

www.excellenceindustries.com

FT Four Tub Storage Freezer



FT Internal Dimensions



Technical Summary

Model	Size				Electrical			Refrigeration		Other		
	Dimensions (inches) Length x Depth x Height	Cubic Feet	Net Weight (lbs.)	Shipping Weight (lbs.)	Voltage/Hz/Phase	Running Amps	KWh/24hr	Compressor HP	Refrigerant	Temperature	Capacity: 3-Gallon Cans	Container Quantity
FT-4	25 x 15 x 38 1/4	2.8	80	100	115/60/1	1.4	1.0	1/8	R-134a	+19° to -13°F	4 (2 facings)	170

SPECIAL FEATURES

- Stainless steel exterior & interior
- Heavy-duty metal hinges for flip-flop lids
- Casters - 2 locking
- Integrated lid stop protectors
- Optional locking device
- Small footprint
- Recessed door handles



Profit from the Power of Partnership.

Excellence Industries is a division of Stajac Industries, Inc. The company reserves the right to change the design and/or specifications of these products without notice. Printed in the U.S.A. (3/15)

Innovation
Logistics
Distribution
Leasing
Service
Refurbishing
Recycling

3710 Corporex Park Drive, Ste. 100 | Tampa, FL 33619 | 800.441.4014

www.excellenceindustries.com