



Central Model No.: 356-039

Product Type: Exhaust Fan

## Model: XRUB-121-3

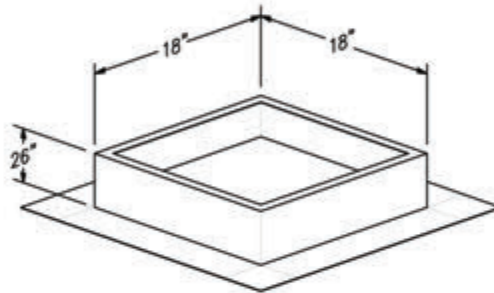
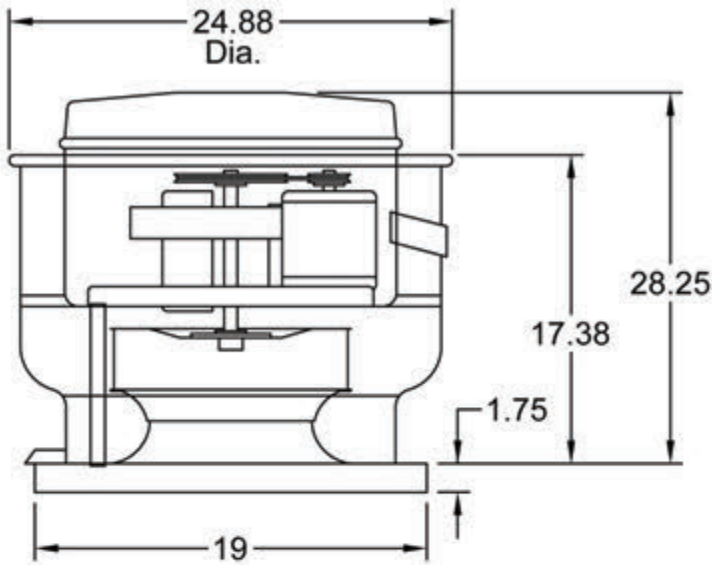
### Belt Drive Upblast Centrifugal Roof Exhaust Fan

#### Standard Construction Features:

- Aluminum housing - Backward inclined aluminum wheel - Curb cap with prepunched mounting holes - Motor and drives isolated on shock mounts - Drain trough - Ball bearing motors - Adjustable motor pulley - Adjustable motor plate - Fan shaft mounted in ball bearing pillow blocks - Bearings meet or exceed temperature rating of fan - Static resistant belts - Corrosion resistant fasteners - Internal lifting lugs

#### Options & Accessories:

UL/cUL 762 Listed - "Power Ventilators for Rest. Exh. Appliances"  
 Switch, NEMA-1, Toggle, Junction Box Mounted & Wired  
 Roof Curb, GPI-19-G26, Under Sized 1 in Total  
 Heat Baffle (Attached)



#### Dimensional

Qty	Weight w/o Accessories (lb)	Weight with Accessories (lb)	Roof Opening (in)
1	64	83	14.5 x 14.5

#### Performance

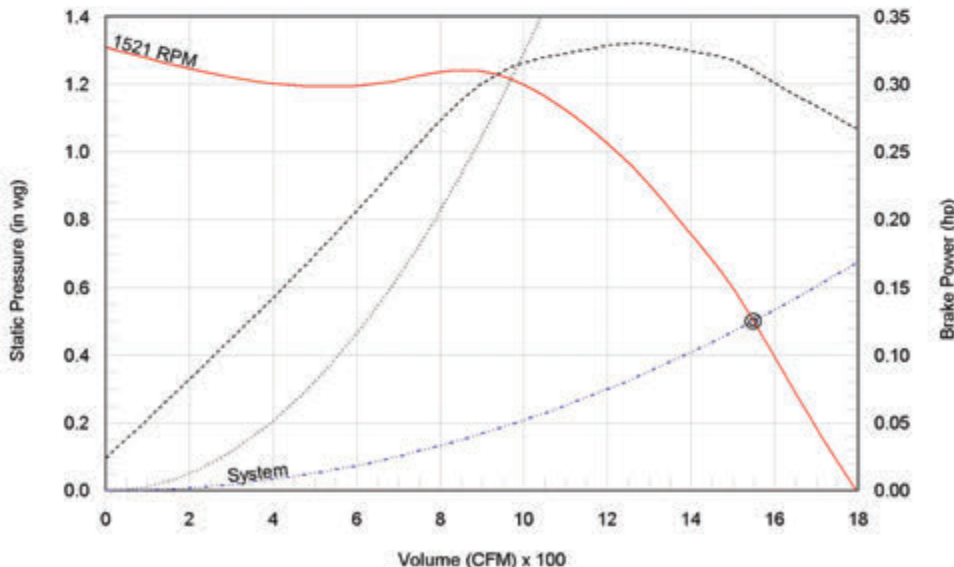
Requested Volume (CFM)	Actual Volume (CFM)	Requested SP (in wg)	Actual SP (in wg)	Fan RPM	Operating Power (hp)	Elevation (ft)	Airstream Temperature (F)	Tip Speed (ft/min)	SE (%)
1,548	1,548	0.5	0.5	1,521	0.31	0	70	5202	39.3

#### Motor

Motor Mounted	Size (hp)	V/C/P	Encl.	Motor RPM	Windings	NEC FLA* (Amps)
Yes	1/3	115/60/1	ODP	1725	1	7.2

#### Sound Power by Octave Band

Sound Data	62.5	125	250	500	1000	2000	4000	8000	LwA	dBA	Sones
Inlet	77	78	85	69	65	65	59	51	77	66	14.3



#### Notes:

All dimensions shown are in units of in.  
 \*FLA - based on tables 150 or 148 of National Electrical Code 2002. Actual motor FLA may vary, for sizing thermal overload, consult factory.  
 LwA - A weighted sound power level, based on ANSI S1.4  
 dBA - A weighted sound pressure level, based on 11.5 dB attenuation per Octave band at 5.0 ft - dBA levels are not licensed by AMCA International  
 Sones - calculated using AMCA 301 at 5.0 ft

— RPM Curve  
 - - - System Curve  
 - - - Brake Power Curve  
 - - - Do not select to the left of this surge curve  
 ○ Desired operating point  
 ⊗ Actual operating point

Find this product at: **Central**  
 RESTAURANT PRODUCTS

1-866-285-1252