



Central Model No.: 356-040  
Product Type: Exhaust Fan

## Model: XRUB-131-5

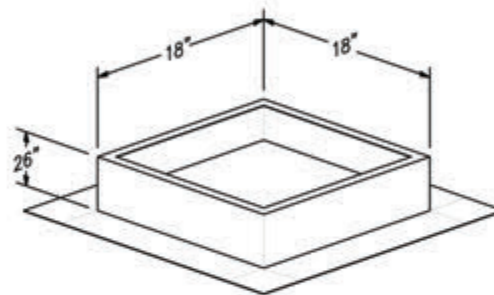
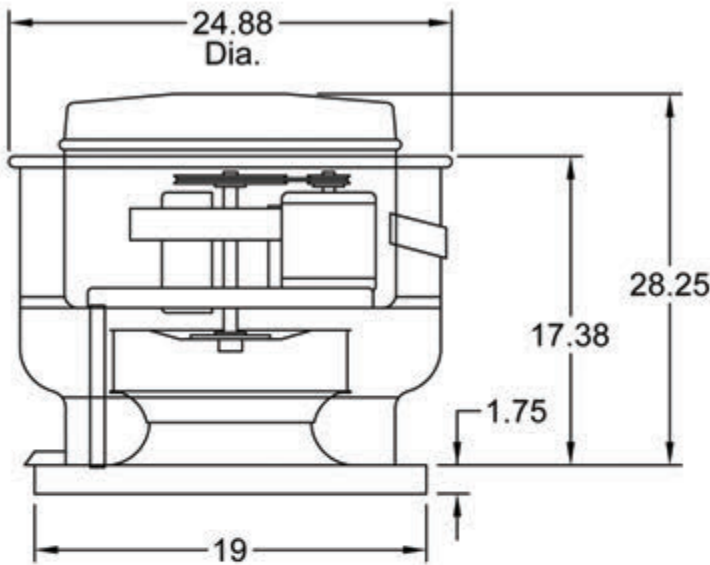
### Belt Drive Upblast Centrifugal Roof Exhaust Fan

#### Standard Construction Features:

- Aluminum housing - Backward inclined aluminum wheel - Curb cap with prepunched mounting holes - Motor and drives isolated on shock mounts - Drain trough - Ball bearing motors - Adjustable motor pulley - Adjustable motor plate - Fan shaft mounted in ball bearing pillow blocks - Bearings meet or exceed temperature rating of fan - Static resistant belts - Corrosion resistant fasteners - Internal lifting lugs

#### Options & Accessories:

UL/cUL 762 Listed - "Power Ventilators for Rest. Exh. Appliances"  
Switch, NEMA-1, Toggle, Junction Box Mounted & Wired  
Roof Curb, GPI-19-G26, Under Sized 1 in Total  
Heat Baffle (Attached)



#### Dimensional

Qty	Weight w/o Accessories (lb)	Weight with Accessories (lb)	Roof Opening (in)
1	70	89	14.5 x 14.5

#### Performance

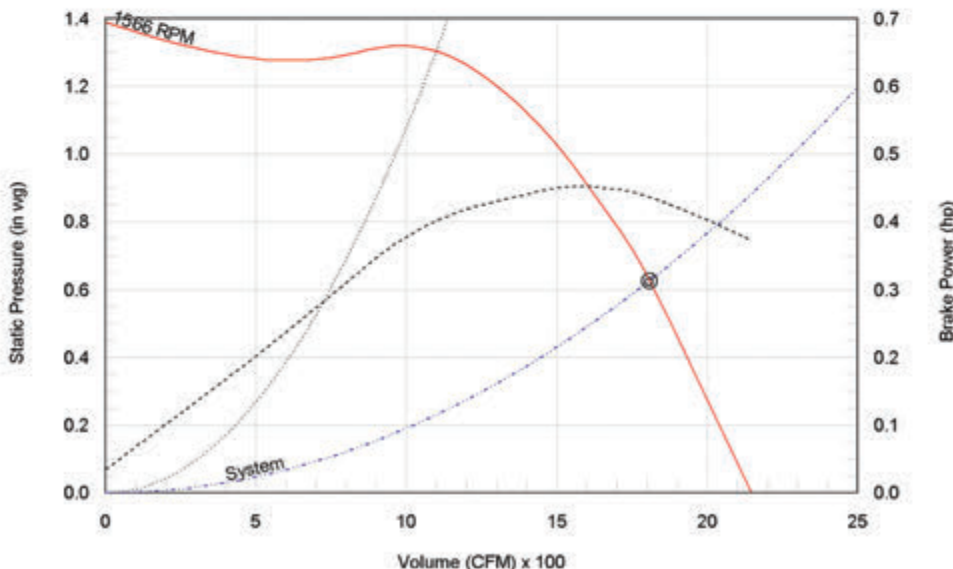
Requested Volume (CFM)	Actual Volume (CFM)	Requested SP (in wg)	Actual SP (in wg)	Fan RPM	Operating Power (hp)	Elevation (ft)	Airstream Temperature (F)	Tip Speed (ft/min)	SE (%)
1,806	1,806	0.625	0.625	1,566	0.44	0	70	5355	40.7

#### Motor

Motor Mounted	Size (hp)	V/C/P	Encl.	Motor RPM	Windings	NEC FLA* (Amps)
Yes	1/2	115/60/1	ODP	1725	1	9.8

#### Sound Power by Octave Band

Sound Data	62.5	125	250	500	1000	2000	4000	8000	LwA	dBA	Sones
Inlet	78	77	84	75	67	66	62	60	78	67	15.4



#### Notes:

All dimensions shown are in units of in.  
\*FLA - based on tables 150 or 148 of National Electrical Code 2002. Actual motor FLA may vary, for sizing thermal overload, consult factory.  
LwA - A weighted sound power level, based on ANSI S1.4  
dBA - A weighted sound pressure level, based on 11.5 dB attenuation per Octave band at 5.0 ft - dBA levels are not licensed by AMCA International  
Sones - calculated using AMCA 301 at 5.0 ft

RPM Curve  
 System Curve  
 Brake Power Curve  
 Do not select to the left of this surge curve  
 Desired operating point  
 Actual operating point