



Central Model No.: 356-043

Product Type: Exhaust Fan

## Model: XRUB-161-7

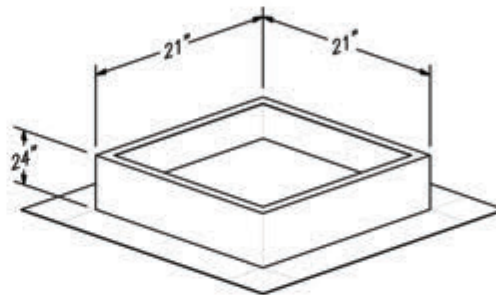
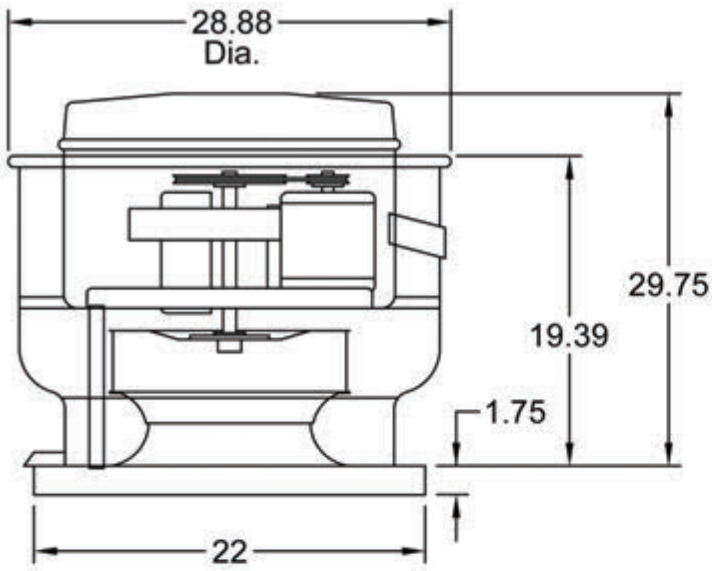
### Belt Drive Upblast Centrifugal Roof Exhaust Fan

#### Standard Construction Features:

- Aluminum housing - Backward inclined aluminum wheel - Curb cap with prepunched mounting holes - Motor and drives isolated on shock mounts - Drain trough - Ball bearing motors - Adjustable motor pulley - Adjustable motor plate - Fan shaft mounted in ball bearing pillow blocks - Bearings meet or exceed temperature rating of fan - Static resistant belts - Corrosion resistant fasteners - Internal lifting lugs

#### Options & Accessories:

- UL/cUL 762 Listed - "Power Ventilators for Rest. Exh. Appliances"
- Switch, NEMA-1, Toggle, Junction Box Mounted & Wired
- Roof Curb, GPI-22-G24, Under Sized 1 in Total
- Heat Baffle (Attached)



Find this product at:  
**Central**  
 RESTAURANT PRODUCTS

1-866-285-1252

#### Dimensional

Qty	Weight w/o Accessories (lb)	Weight with Accessories (lb)	Roof Opening (in)
1	76	112	18.5 x 18.5

#### Performance

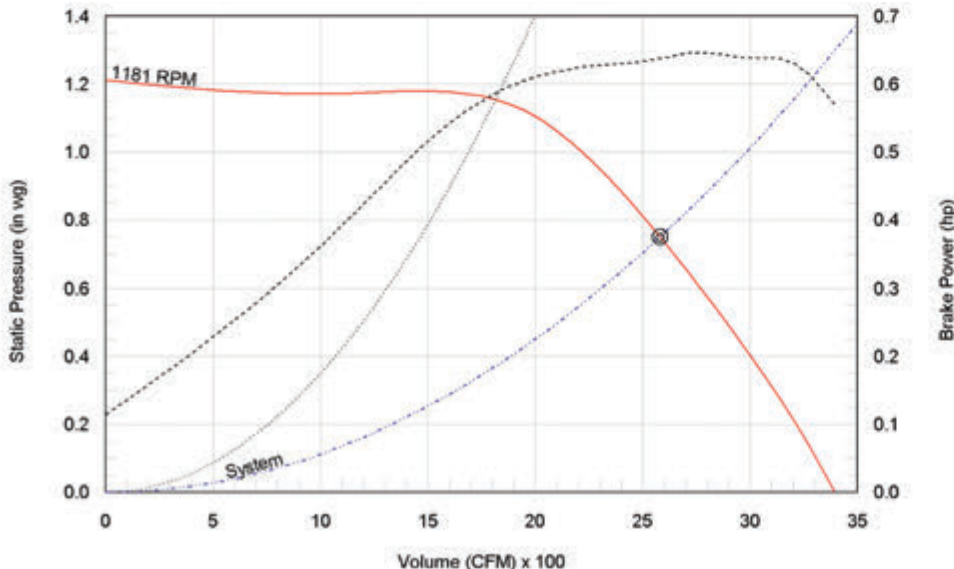
Requested Volume (CFM)	Actual Volume (CFM)	Requested SP (in wg)	Actual SP (in wg)	Fan RPM	Operating Power (hp)	Elevation (ft)	Airstream Temperature (F)	Tip Speed (ft/min)	SE (%)
2,580	2,580	0.75	0.75	1,181	0.64	0	70	5141	47.8

#### Motor

Motor Mounted	Size (hp)	V/C/P	Encl.	Motor RPM	Windings	NEC FLA* (Amps)
Yes	3/4	230/60/1	ODP	1725	1	6.9

#### Sound Power by Octave Band

Sound Data	62.5	125	250	500	1000	2000	4000	8000	LwA	dBA	Sones
Inlet	74	80	79	76	70	68	64	61	78	66	14.4



— RPM Curve  
 - - - System Curve  
 - - - Brake Power Curve  
 - - - Do not select to the left of this surge curve  
 ○ Desired operating point  
 ⊗ Actual operating point



#### Notes:

All dimensions shown are in units of in.  
 \*FLA - based on tables 150 or 148 of National Electrical Code 2002. Actual motor FLA may vary, for sizing thermal overload, consult factory.  
 LwA - A weighted sound power level, based on ANSI S1.4  
 dBA - A weighed sound pressure level, based on 11.5 dB attenuation per Octave band at 5.0 ft - dBA levels are not licensed by AMCA International  
 Sones - calculated using AMCA 301 at 5.0 ft