



Central Model No.: 356-045
Product Type: Exhaust Fan

Model: XRUB-161-10

Belt Drive Upblast Centrifugal Roof Exhaust Fan

Standard Construction Features:

- Aluminum housing - Backward inclined aluminum wheel - Curb cap with prepunched mounting holes - Motor and drives isolated on shock mounts - Drain trough - Ball bearing motors - Adjustable motor pulley - Adjustable motor plate - Fan shaft mounted in ball bearing pillow blocks - Bearings meet or exceed temperature rating of fan - Static resistant belts - Corrosion resistant fasteners - Internal lifting lugs

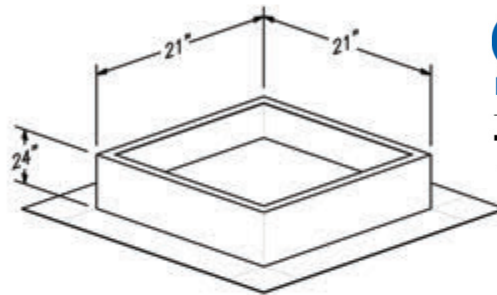
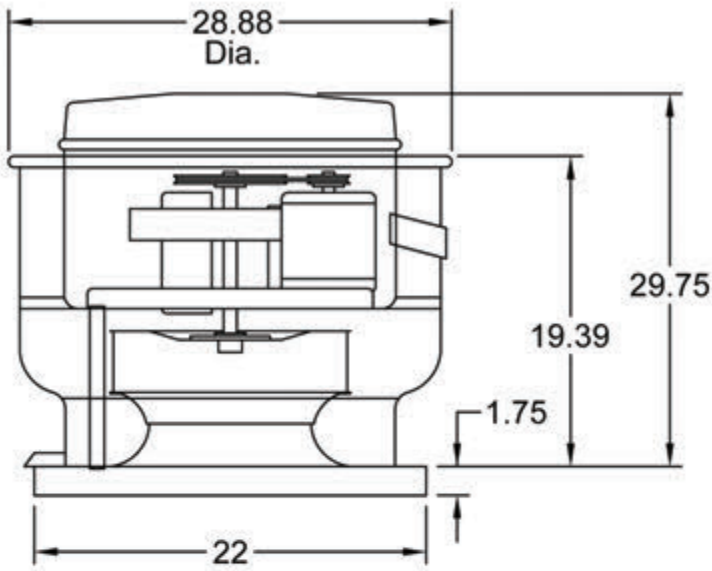
Options & Accessories:

UL/cUL 762 Listed - "Power Ventilators for Rest. Exh. Appliances"
Switch, NEMA-1, Toggle, Junction Box Mounted & Wired
Roof Curb, GPI-22-G24, Under Sized 1 in Total
Heat Baffle (Attached)

Find this product at:



1-866-285-1252



Dimensional

Qty	Weight w/o Accessories (lb)	Weight with Accessories (lb)	Roof Opening (in)
1	84	120	18.5 x 18.5

Performance

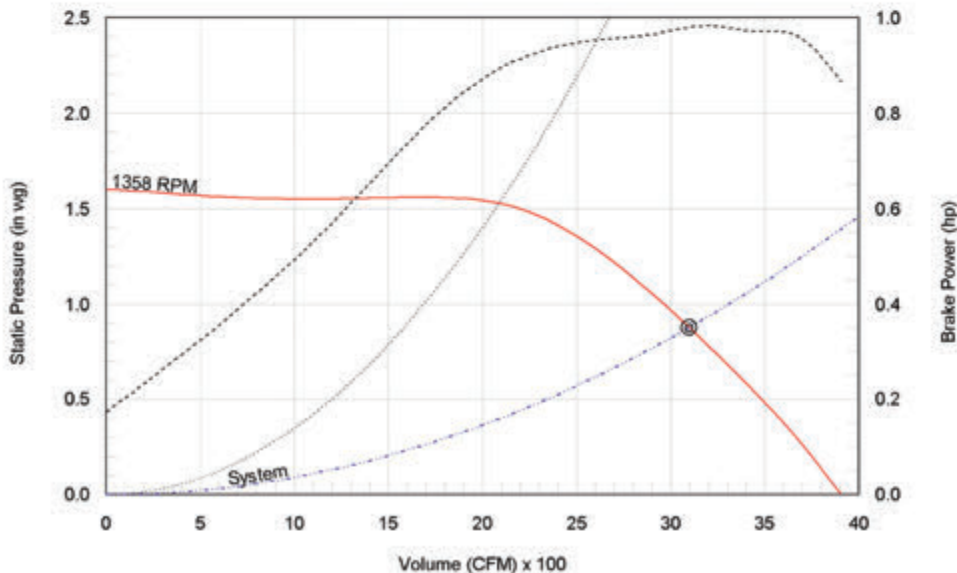
Requested Volume (CFM)	Actual Volume (CFM)	Requested SP (in wg)	Actual SP (in wg)	Fan RPM	Operating Power (hp)	Elevation (ft)	Airstream Temperature (F)	Tip Speed (ft/min)	SE (%)
3,096	3,096	0.875	0.875	1,358	0.98	0	70	5912	43.6

Motor

Motor Mounted	Size (hp)	V/C/P	Encl.	Motor RPM	Windings	NEC FLA* (Amps)
Yes	1	230/60/1	ODP	1725	1	8

Sound Power by Octave Band

Sound Data	62.5	125	250	500	1000	2000	4000	8000	LwA	dBA	Sones
Inlet	76	82	83	80	74	71	68	65	81	70	17.9



Notes:

All dimensions shown are in units of in.
*FLA - based on tables 150 or 148 of National Electrical Code 2002. Actual motor FLA may vary, for sizing thermal overload, consult factory.
LwA - A weighted sound power level, based on ANSI S1.4 dBA - A weighed sound pressure level, based on 11.5 dB attenuation per Octave band at 5.0 ft - dBA levels are not licensed by AMCA International
Sones - calculated using AMCA 301 at 5.0 ft

— RPM Curve
- - - System Curve
- - - Brake Power Curve
- - - Do not select to the left of this surge curve
○ Desired operating point
⊗ Actual operating point