

Item # \_\_\_\_\_

Quantity \_\_\_\_\_

# Lakeside Mart Cart

## Model #680

Spec. # \_\_\_\_\_

AIA # \_\_\_\_\_

### Mart Cart is Ideal for High Traffic Areas Where People Congregate.

- Multi-use interior with adjustable height stainless steel shelves.
- Shelves remove to provide space for an optional insulated container.
- Overshelf puts products at your fingertips. Shelf tilts toward the operator for easy access. Compartments can be customized.
- Large countertop work surface. Pull out under-counter shelf provides added work space.
- Cart is lightweight and easy to maneuver with tough-duty 5" swivel casters. Choose ergonomic vertical handles or a traditional horizontal handle.
- Sized for maneuvering into elevators, down corridors and into kitchen areas.
- Optional merchandising front and/or overshelf panels.
- Easy to clean and sanitize stainless steel counter top and interior.
- Eight attractive and durable laminate exterior finishes are standard. Custom laminate finishes can be ordered to match existing decor. Contact Lakeside for pricing.



Model #680



Front view show with optional merchandising panels.



Back view shown.

Lakeside Manufacturing, Inc.

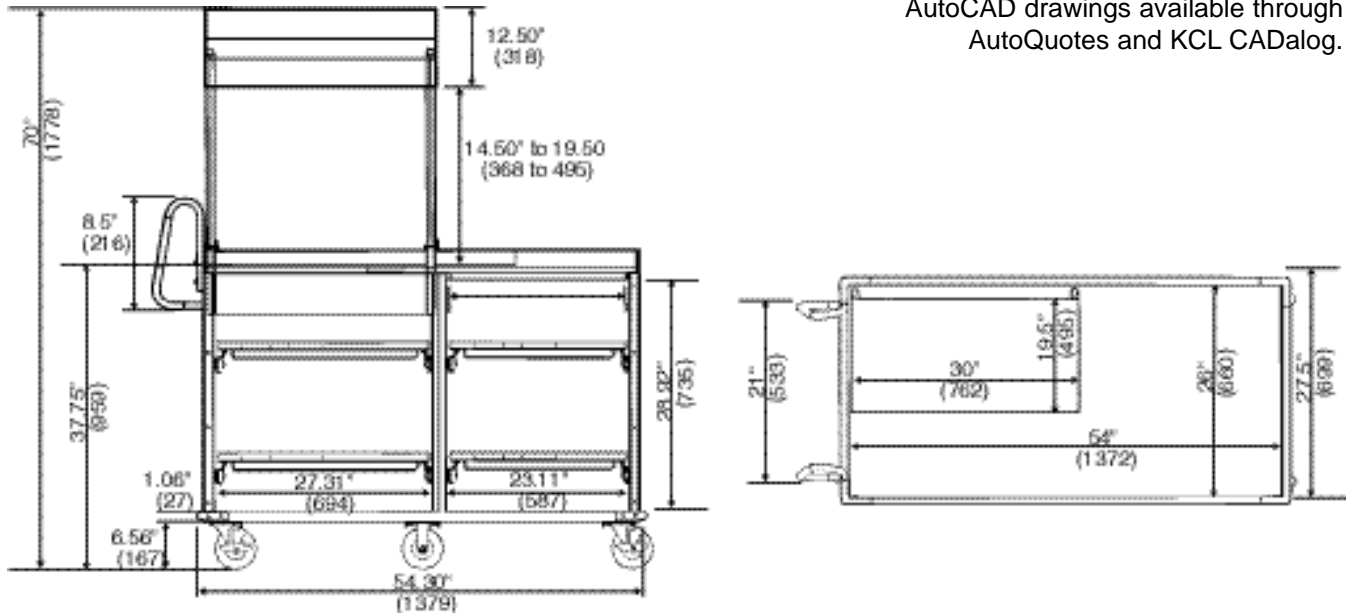
4900 West Electric Avenue • West Milwaukee, WI 53217 U.S.A.  
800-558-8565 • 414-481-3900 • Fax 414-481-9313 • www.eLakeside.com



# Lakeside Mart Cart

Model #680

AutoCAD drawings available through  
AutoQuotes and KCL CADalog.



Spec. #

- Dimensions:**
- Overall dimensions: 27-1/2" W x 60" L x 70" H (699 W x 1524 L x 1778 mm)
  - Left compartment: 27" W x 26" D x 30" H (686 W x 660 D x 762 mm)
  - Right compartment: 23" W x 26" D x 29" H (584 W x 660 D x 737 mm)
  - Height to countertop from floor: 38" (965 mm)
  - Height from countertop to bottom of overshelf: 19-3/4" (502 mm)

**Specifications:** Model #680 shall include an acrylic half size overshelf measuring 19-1/2" W x 30" L x 3-1/2" D (495 W x 762 L x 89 D mm) as standard. Overshelf shall have adjustable compartment. Overshelf shall be suspended on two 7/8" (22 mm) dia. poles. One set of handles shall be an ergonomic design with vinyl grips measuring 8-1/2" H (216 mm). Four slide out, removable and adjustable stainless steel shelves shall have heavy duty drawer slides. Work surface shall be 26" W x 54" L (660 W x 1372 L mm) For additional work space there shall be a pull out undershelf constructed of laminated particle board measuring 21" W x 16" D (533 W x 406 D mm). The cart interior shall be 20 gauge stainless steel. Stainless steel interior compartments shall have a drain hole in the bottom. The cart exterior sides shall be vertical grade laminate with plastic edge molding. Cart shall have perimeter bumpers. Cart shall have 4 ea. swivel, 2 ea. fixed casters, 2 ea. with brakes. Casters shall have 5" (127 mm) modulus round-tread non-marking wheels.

- Optional Accessories:**
- Full-size acrylic overshelf
  - Stainless steel full-size overshelf
  - Stainless steel half-size overshelf
  - Insulated container for hot and/or cold food items
  - Cup dispenser
  - Merchandising panels for front and overshelf

AIA #



Lakeside Manufacturing, Inc.

4900 West Electric Avenue • West Milwaukee, WI 53217 U.S.A.  
800-558-8565 • 414-481-3900 • Fax 414-481-9313 • www.eLakeside.com