

**Isle 'N Go™****Mobile Merchandising Cart - Stainless Steel/Laminate****Model 155044**

Model 155044

**Attention Getting Design For Attractive Mobile Merchandising****Features**

- Adjustable height shelves
- Durable welded stainless steel frame
- Wide choice of laminate finishes
- Top-mounted signage board

**Benefits**

- Rolls easily to high-traffic areas
- Attractive appearance draws patrons
- Flexible design allows for optimum product placement
- 360° access allows for maximum touch points and space utilization
- Configurable signage allows branding and marketing of displayed items

**Casters**

- All-swivel 4" non-marking, two with brake

**Specifications**

Unit is of welded stainless steel construction with three  $\frac{3}{4}$ " MDO laminate shelves. Upright leg/frames are of 14-gauge C-channel angle stainless steel, welded to a 14-gauge stainless steel dolly frame. Top and middle shelves have adjustable height variance of 6", in 3" increments. Adjustable shelves are held in position by two  $\frac{3}{4}$ " stainless steel tubes with capped ends. Bottom (base) shelf is fastened to dolly frame. Unit features top-mount stainless steel signage board with write-on surface. Overall load capacity is 320 lb. Middle and top shelf capacity is 60 lb. each. Bottom shelf capacity is 200 lb. Casters are 4" all-swivel, two ea. with brake, plate mounted to the dolly frame.

**Option:**

- Magnetic message panel

Spec. # \_\_\_\_\_

A/A # \_\_\_\_\_

Lakeside Manufacturing, Inc.

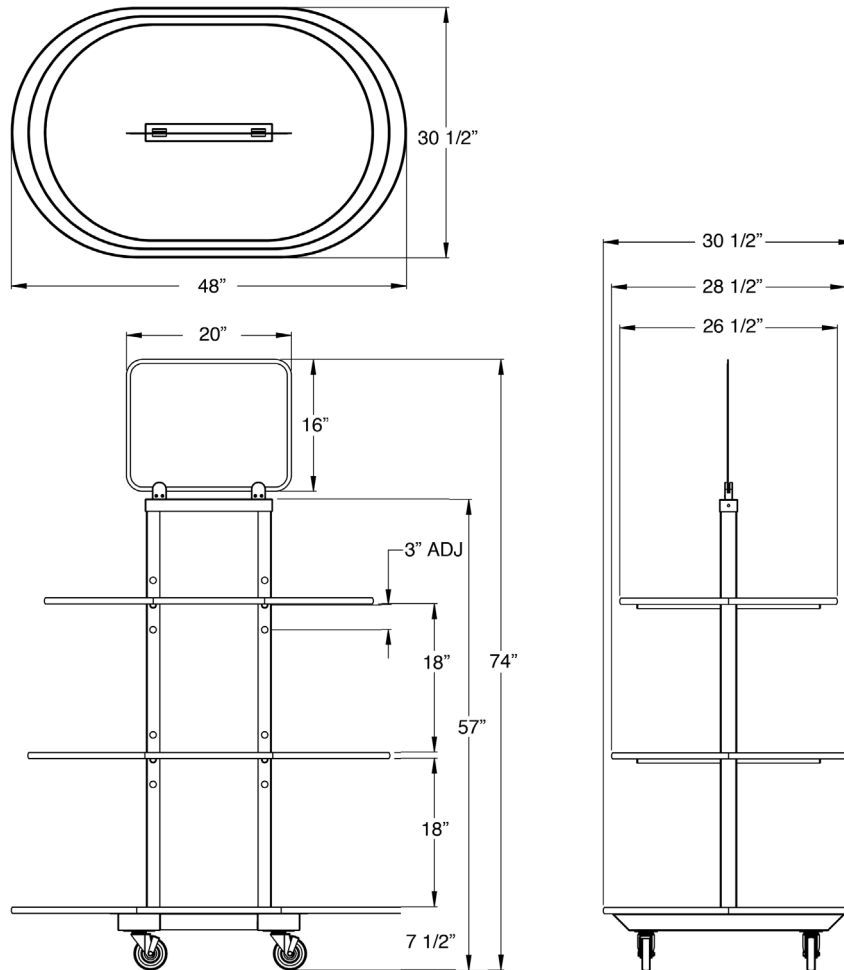
4900 West Electric Avenue • West Milwaukee, WI 53219 U.S.A.

800-558-8565 • 414-902-6400 • Fax 414-902-6446 • info@eLakeside.com • www.eLakesideFoodservice.com

# Isle 'N Go™

## Mobile Merchandising Cart - Stainless Steel/Laminate

**Model**  
155044



**Model 155044**

### Model Information:

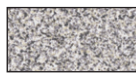
| Model  | Overall Size  |                |             | Casters                   |             | Ship Wt.<br>Lbs. (Kg) |
|--------|---------------|----------------|-------------|---------------------------|-------------|-----------------------|
|        | L             | W              | H           | Type                      | Dia.        |                       |
| 155044 | 48"<br>(1219) | 30 1/2"<br>775 | 74"<br>1880 | All Swivel<br>2 ea. Brake | 4"<br>(102) | 145<br>(65.8)         |

*Dimensions in ( ) denote metric millimeters, unless otherwise noted.*

### Standard Finish Choices



Walnut



Gray Sand



Light Maple



Victorian  
Cherry



Beige Suede



Hard Rock  
Maple



Red Maple



Black

*Custom Finishes Available.*

Made In



USA

**LAKESIDE**®  
*Ingenuity On Wheels™*

Lakeside Manufacturing, Inc.  
4900 West Electric Avenue • West Milwaukee, WI 53219 U.S.A.  
800-558-8565 • 414-902-6400 • Fax 414-902-6446  
info@eLakeside.com • www.eLakesideFoodservice.com