



Simply Engineered Better

# SW

Pass Through Fully Automatic Glasswashing Machine



SW600

SW400

## SPECIFIER STATEMENT

Specified unit will be Moyer Diebel model SW400 or SW600 pass-through conveyor type glasswasher.

Features include detergent, sanitizer and rinse aid pump, upper & lower wash/rinse arms, cold water final rinse, polypropylene conveyor, two splash curtains, processes 2,000 glasses/hr. Warranty: 1 year parts, 90 day labor.



Project \_\_\_\_\_  
 Item No. \_\_\_\_\_  
 Quantity \_\_\_\_\_

SW GLASSWASHING MACHINE

## STANDARD FEATURES

- Highest capacity cleans and sanitizes **2,000 glasses per hour**
- Cool water final rinse ensures steady supply of clean, cool glasses ready for immediate use, reducing labor and breakage
- No steam generated behind the bar
- Automatic operation glass activated shut-off switch
- **Upper** and **lower** wash and rinse arms
- Built-in three pump injection system uses iodine or chlorine sanitizer
- Cabinet provides convenient storage for chemicals
- Polypropylene belt conveyor eliminates chipping of stemware
- Right-to-left or left-to-right operation (please specify)
- Include 6' NEMA 6-15p cord and plug
- One year parts and 90 day labor warranty

## OPTIONS & ACCESSORIES

- |                          |   |             |
|--------------------------|---|-------------|
| <input type="checkbox"/> | SW46C – Waste Sink                                      | P/N 0708453 |
| <input type="checkbox"/> | SW12 – S/S splash guards for SW400                      | P/N 0702877 |
| <input type="checkbox"/> | SW24 – S/S splash guards for SW600                      | P/N 0702878 |
| <input type="checkbox"/> | SW48 – S/S back panel for SW400                         | P/N 0702882 |
| <input type="checkbox"/> | SW72 – S/S back panel for SW600                         | P/N 0702886 |
| <input type="checkbox"/> | Kit 264 – Washdown hose                                 | P/N 0701956 |
| <input type="checkbox"/> | Kit 332 – Casters; set of 4,<br>2 locking, 2 stationary | P/N 0701962 |
| <input type="checkbox"/> | Site Glass kit  | P/N 0712993 |
| <input type="checkbox"/> | SW47 – Drain Tray Waste Collector                       |             |

MD007 Printed in U.S.A.

Moyer Diebel – USA

3765 Champion Blvd., Winston-Salem, NC 27105 Tel: 336/661-1992 Fax: 336/661-1979 800/228-8350  
 www.moyerdiebel.com



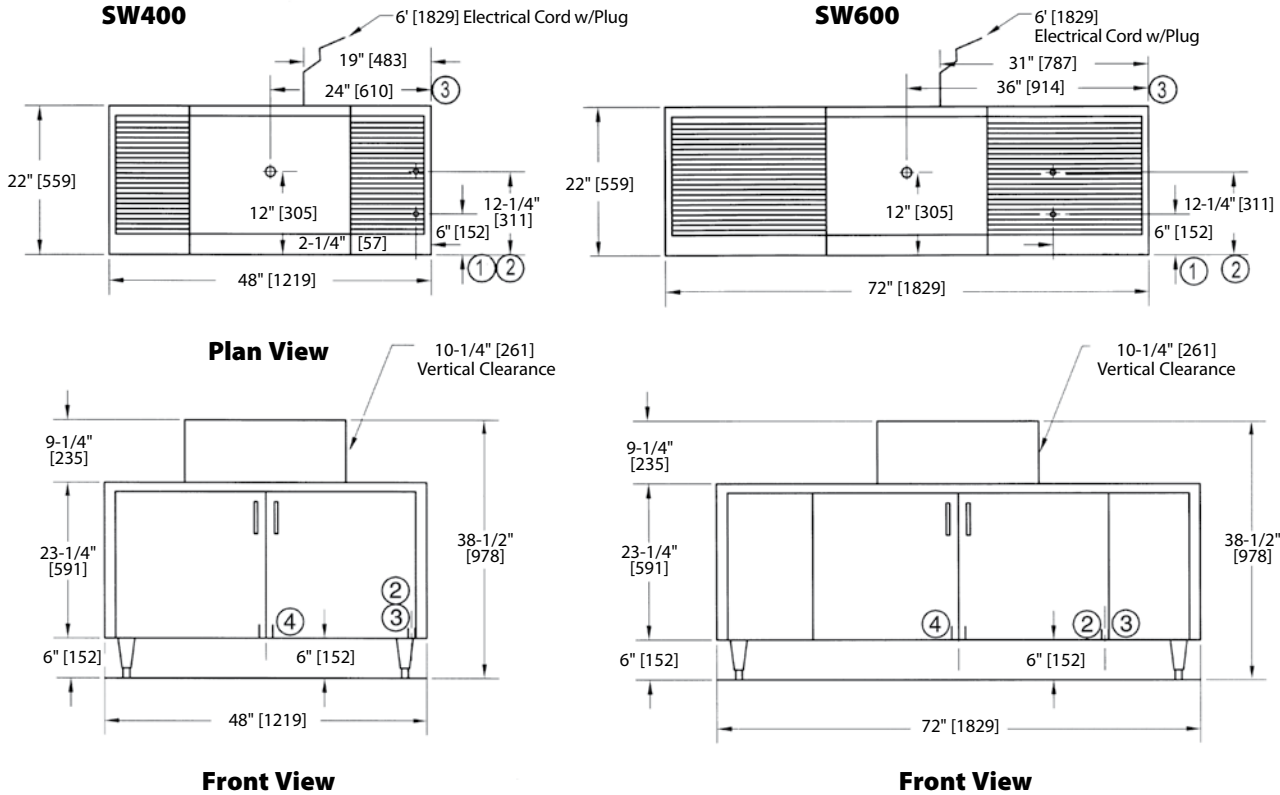


Simply Engineered Better

**SW**

Pass Through Fully Automatic  
Glasswashing Machine

Dimensions shown in inches and [millimeters]



**NOTE:** Both Doors: 21-1/2" [546] High  
22" [559] Wide

Utilities	
<b>1 Electrical</b>	203-230/50-60/1, 15 amp (Supplied with 4ft. plug-in cord NEMA 6-15P)
<b>2 Hot Water Connection</b>	1/2" IPS. Flow pressure 25-95 psi (173-656 kPa)
<b>3 Cold Water Connection</b>	1/2" IPS. Flow pressure 25-95 psi (173-656 kPa)
<b>4 Drain Connection</b>	1/2" IPS. Flow pressure 25-95 psi (173-656 kPa) 1-1/2" tailpiece. Connect to drain size according to local plumbing code.

	Uncrated		Crated	
	SW400	SW600	SW400	SW600
<b>Height*</b>	38-1/2" [978]	38-1/2" [978]	49" [1244]	49" [1244]
<b>Width</b>	48" [1219]	72" [1882]	53" [1346]	76-1/2" [1942]
<b>Depth</b>	22" [559]	22" [559]	27-1/2" [698]	27-1/2" [698]
<b>Ship Wt. lbs/kg</b>	225/102	285/129	255/115	325/147

\* Adjustable foot height - 1-1/4" [32]

SPECIFICATIONS	
<b>Capacity</b>	2-1/2" glasses/hr. 2000
<b>Water Consumption</b>	Cold water 2.8 US gpm Hot water (initial fill) 3 US gallons (Max. use-approx. 10 US gph)
<b>Temperatures °F</b>	Inlet water (hot) 140-160 Inlet water (cold) 75
<b>Heating</b>	Tank heat, electric (kW) 3
<b>Conveyor</b>	Speed inches 14

**Warning:** Plumbing and electrical connections should be made by qualified personnel who will observe all the applicable plumbing, sanitary and safety codes.