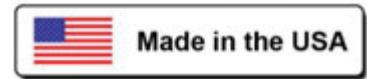




JOB:  
ITEM:  
QTY:



## KEG STACKER

### APPLICATION:

These heavy duty aluminum units store 1/4 and 1/2 barrels (kegs) of beer as well as dry general storage. Made similar to our T-Bar Series shelves, these shelves are extra reinforced for the added abuse associated with handling kegs.

### MATERIAL:

Framework for the shelves is constructed out of 1 1/2"x2 3/4"x.070" wall tubing. Laterals are constructed out of 1 1/4"x2 1/4"x.100" wall T-Bar. Complete units come with posts that are constructed out of 1 5/16" Diameter pipe.

### GUARANTEE:

These units carry a **Lifetime Guarantee** against rust and corrosion and also carry a **Five-Year Guarantee** against workmanship and material defects.

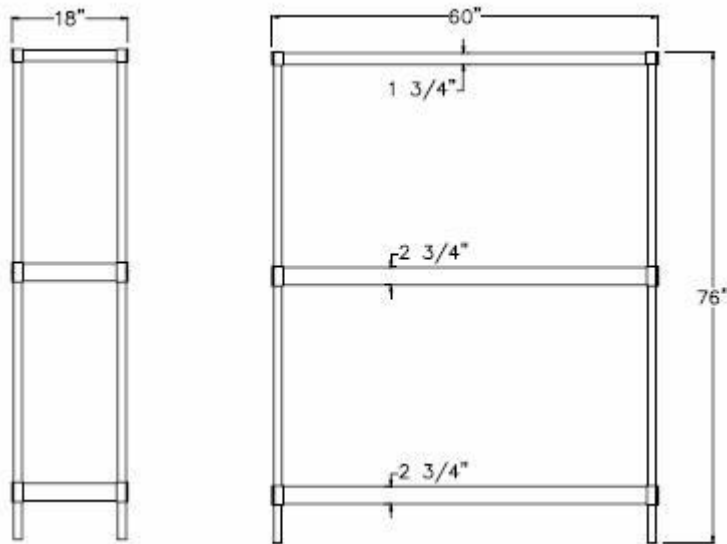


Model #NS933



Phone: 800-255-0104  
Fax: 877-877-7687  
[www.newageindustrial.com](http://www.newageindustrial.com)  
[sales@newageindustrial.com](mailto:sales@newageindustrial.com)

New Age Industrial reserves the right to modify or make changes at any time without notice to materials and specifications.



**Model #NS933**

Model No.	Size-W	Size-H	Size-D	1/2 Barrel Cap.	No. Shelves
<b>Complete Units</b>					
31842TT7	18"	76"	42"	4	3
NS933	18"	76"	60"	6	3
1288	18"	76"	80"	8	3
1289	18"	76"	93"	10	3
<b>Keg Shelves Only</b>					
94273	18"	3"	60"	3	1
94274	18"	3"	80"	4	1
94275	18"	3"	93"	5	1
<b>Wall Protectors</b>					
94029	18"	2"	60"		
94030	18"	3"	80"		
94031	18"	3"	93"		

**\*93" Shelves Require Six Posts**



Phone: 800-255-0104  
 Fax: 877-877-7687  
[www.newageindustrial.com](http://www.newageindustrial.com)  
[sales@newageindustrial.com](mailto:sales@newageindustrial.com)

New Age Industrial reserves the right to modify or make changes at any time without notice to materials and specifications.