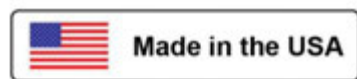




JOB:  
ITEM:  
QTY:



## 99217-EQUIPMENT STAND WITH RETRACTABLE SHELF

### APPLICATION:

This equipment stand is designed to hold equipment, transport trays, and with the retractable shelf, hold pans while slicing.

### MATERIAL:

The base is constructed out of 1 1/2"x1 1/2"x.070" wall tubing. Uprights are constructed out of 1"x1"x.070" wall tubing. Top framework is constructed out of 1 1/2"x1 1/2"x .070" wall tubing. Angle runners are constructed out of 1 1/4"x1 5/8"x.100" angle. The top and retractable shelf are constructed of 16-gauge stainless steel.

### CASTERS:

This stand comes equipped with four 5" platform type swivel casters, all with total lock to eliminate all movement.

### GUARANTEE:

This table carries a **Lifetime Guarantee** against rust and corrosion and also carries a **Five-Year Guarantee** against workmanship and material defects.

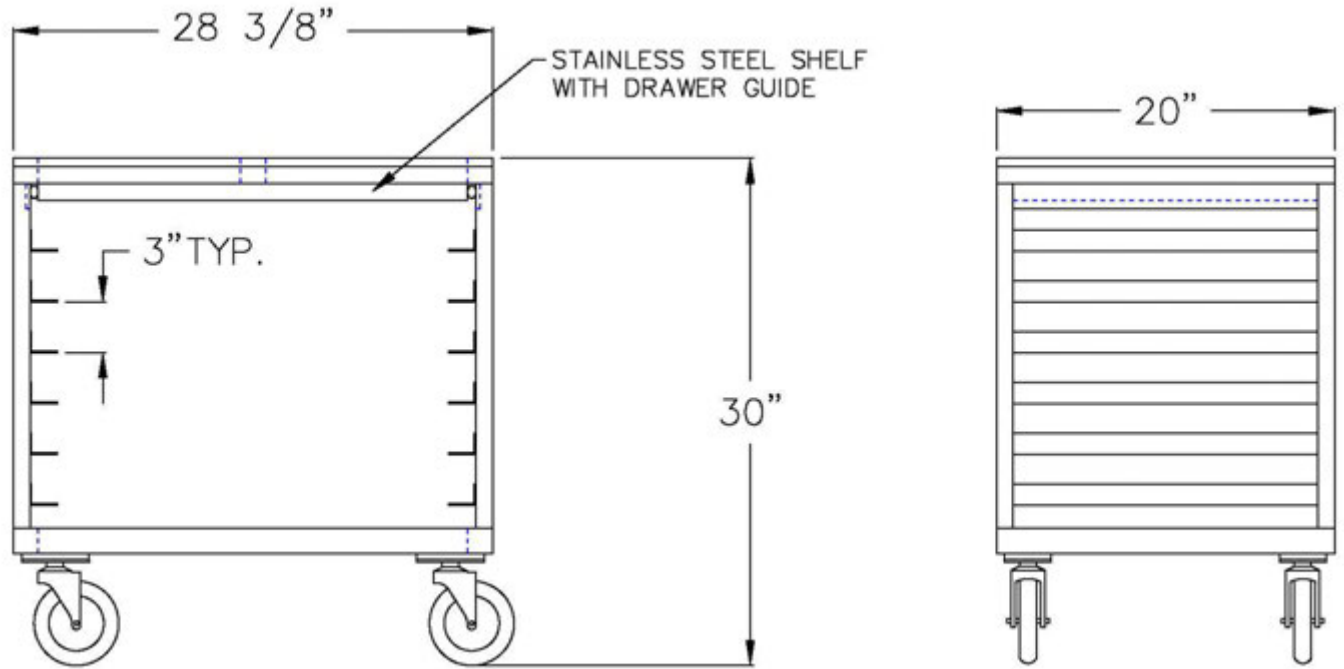


**Model #99217**



Phone:800-255-0104  
Fax: 877-877-7687  
[www.newageindustrial.com](http://www.newageindustrial.com)  
[sales@newageindustrial.com](mailto:sales@newageindustrial.com)

New Age Industrial reserves the right to modify or make changes at any time without notice to materials and specifications.



**Model #99217**

Model No.	Size-W	Size-H	Size-D	Pan Cap.
99217	28 3/8"	30"	20"	6



Phone: 800-255-0104  
 Fax: 877-877-7687  
[www.newageindustrial.com](http://www.newageindustrial.com)  
[sales@newageindustrial.com](mailto:sales@newageindustrial.com)

New Age Industrial reserves the right to modify or make changes at any time without notice to materials and specifications.