

Produce/Stocking Picking Carts

These all welded aluminum carts provide maximum strength and durability. The solid top carts have a marine edge to help contain spills. The T-Bar top carts provide air circulation.

- Framework is constructed of 1¼" x 1¼" x .070" wall tubing.
- Solid shelves are constructed with .080" aluminum sheet with raised marine edge.
- T-Bar shelves are constructed using 1¼" x 2¼" x .100" wall T-Bar.
- Legs and handles are constructed out of 1½" diameter pipe.
- Equipped with 5" platform type casters.
- **Lifetime Guarantee** against rust and corrosion.
- **Five-Year Guarantee** against workmanship and material defects.



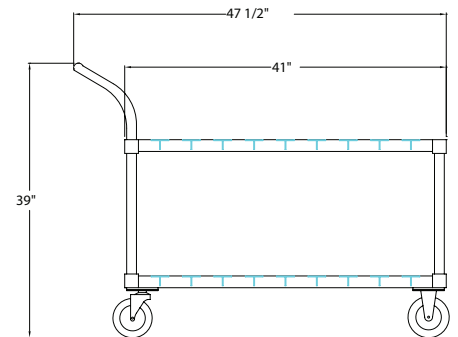
1420



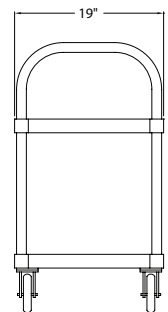
1415



1490



1420



Model No	Size W-H-L	Wt. Cap.	No. Casters	Top Shelf Height	Ship Lbs.
Solid Top Shelf • T-Bar Bottom Shelf					
1415	19" x 30" x 41"	800 lbs.	4	30"	43
Solid Top Shelf • T-Bar Bottom Shelf w/ Handle					
1416	19" x 39" x 48"	800 lbs.	4	30"	52
T-Bar Top & Bottom Shelf w/ Handle					
1420	19" x 39" x 48"	1000 lbs.	4	30"	52
Solid Top & Bottom Shelf w/ Handle					
1490	19" x 39" x 48"	800 lbs.	6	30"	55

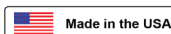
Model #1415, #1416 & #1420: Four 5" platform type casters - two swivel (#C450) two rigid (#C460).

Model #1490: Six 5" platform type casters - four swivel (#C450) two rigid (#C460).

Options: * FACTORY INSTALLED ONLY*****

"CL(B)", "PB" — See page 69 for details.

This information is for general sales and engineering use only. New Age Industrial reserves the right to modify or make changes at any time without notice to materials and specifications.



Distributed by: