

Job: _____

Item: _____

Quantity: _____

Lug Dollies - 6000 Series

- Ideal for bulk food transporting.
- Accepts the standard lugs (16"W x 8½"H x 25"L).

MATERIAL:

- Framework is constructed out of 1 ¼" x 1 ¼" x .070" wall tubing.
- Angle runners are 1 ¼" x 1 ¼" x .100" wall angle.

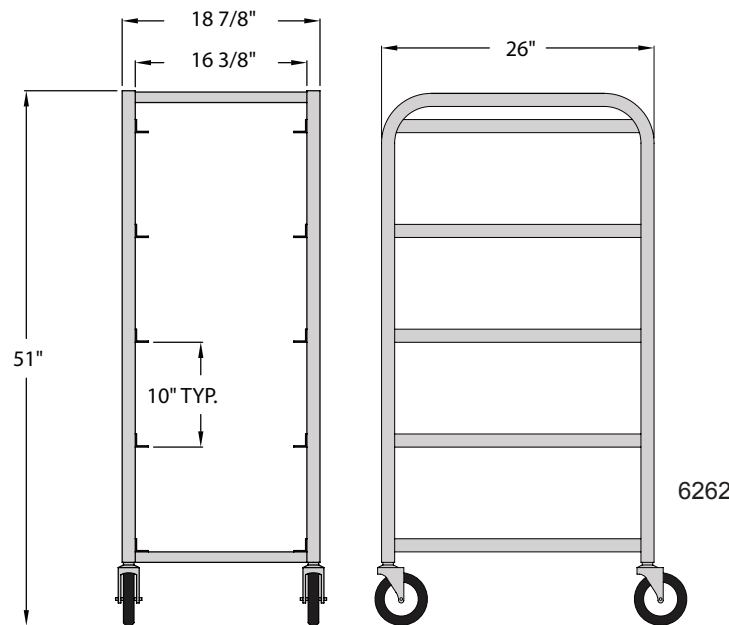
CASTERS:

- Equipped with four 5" stem type swivel casters.

GUARANTEE:

- Lifetime Guarantee against rust and corrosion.
- One-Year Guarantee against material defects and workmanship.

NSF Certified.



Model No.	Lug Cap.	Size W-H-L	Ship Lbs.
6265	1	16 ¾" x 19" x 27"	10
6266	2	16 ¾" x 33" x 29 ¼"	16
97205*	3	19 ¾" x 41" x 26 ¾"	23
6262	4	19 ¾" x 51" x 26 ¾"	25
97253*	5	19 ¾" x 61" x 26 ¾"	28
6263	6	19 ¾" x 71" x 26 ¾"	31

Four 5" swivel type stem casters (#C480) - No brakes.

* Not NSF Approved.

Options:

"CL(A)" — See page 69 for details.

This information is for general sales and engineering use only. New Age Industrial reserves the right to modify or make changes at any time without notice to materials and specifications.

Made in the USA

Distributed by: