

Project: _____

Item: _____

Quantity: _____

Nesting Pan Rack - "Z" Type



1330Z



1331Z - two units nested

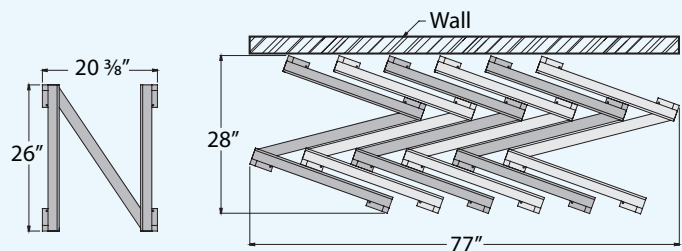


51107

Nesting racks are designed to fit together when not in use, maximizing storage space. Heavy duty aluminum tube and angle slides maximize strength and durability.

- All welded construction ensures the maximum strength and stability of each rack.
 - Shipped assembled for immediate use.
- Supporting cross braces have gussets securely welded into place to prevent "racking".
- Equipped with four 5" heavy duty, plate type casters. These all welded aluminum carts are designed to be pushed around.
 - Non-marking wheels protect floors and minimize noise.
- All seams are fully welded and sealed; Providing a smooth, easy to clean surface.
 - No cracks or crevices to trap dirt!
- Five-Year Guarantee against material defects and workmanship.
- Lifetime Guarantee against rust and corrosion.
- NSF Certified
 - Excluding models 51107, 97379, and 99866

6 "Z" Racks = 14.9 sq/ft • 6 Standard Racks = 22.4 sq/ft



All sheet pan racks quoted hold USA standardized 18 x 26" sheet pans (17 1/8 x 25 7/8" actual). We are not responsible for pans that do not meet the industry standard, which may not fit our racks.

New Age Industrial Corp., Inc. || NewAgeIndustrial.com || Made in the USA

PO Box 520 • 16788 US Hwy 36 • Norton, Kansas 67654 || Phone: (800) 255-0104 • (785) 877-5121 || Fax: (877)-877-7687 • (785) 877-2616

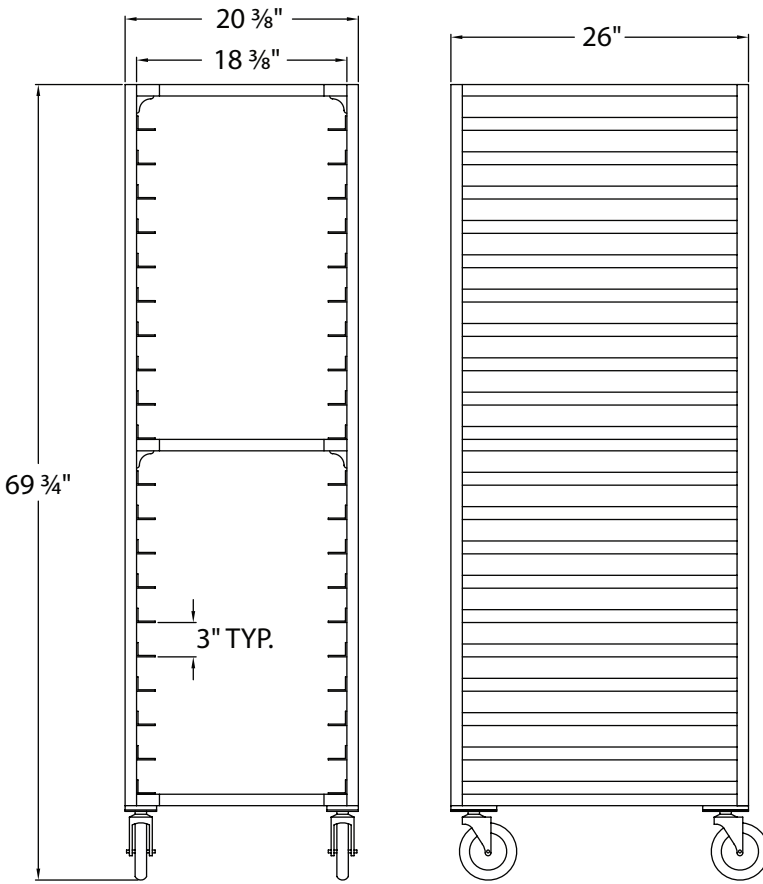
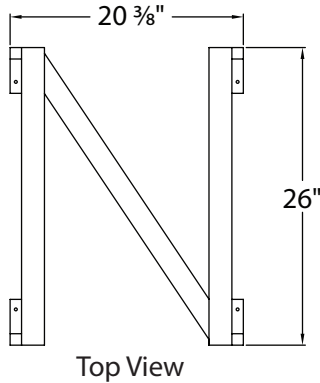
This information is for general sales and engineering use only. New Age Industrial reserves the right to modify or make changes at any time, without notice, to materials and specifications.

Project: _____

Item: _____

Quantity: _____

Nesting Pan Rack - "Z" Type



1331Z

MATERIAL: Heavy duty, high tensile, extruded aluminum. Type 6063-T5 alloy. Extruded on site.

CONSTRUCTION: All heli-arc welded with all seams welded and sealed. No rivets.

SIDES: Each side had two vertical posts of 1" x 1" x .070" wall tube. Welded to each side are angle runners of 1 1/4" x 1 5/8" x .100" wall aluminum angle, spaced on 2" or 3" centers.

HORIZONTAL "Z" SUPPORTS: Three 1" x 2" tubes, welded into a "Z" shaped unit.

CORNER GUSSETS: Gussets are 1 1/2" x 1 1/2" x 5/8" thick angle, Securely welded to the bottom of the inside angle, where horizontal cross braces meet vertical uprights

- Note: Gussets add an extra 4 1/2" of weld for strength and durability.

BASE: A "Z" support frame with pre-tapped caster plates welded to each corner.

CASTERS: Plate type, full swivel casters with sealed ball bearings. Equipped with 5" non-marking polyurethane wheels.

NSF Certified. - Excluding models 51107, 97379, and 99866

▶ Nesting Pan Rack - "Z" Type

Model No.	Size W-H-D	Pan Capacity	Runner Spacing	Ship Lbs.
1/2-Size Nesting "Z" Pan Rack				
51107 *	20 1/2" x 31 1/2" x 26"	8	3"	39
Full-Size Nesting "Z" Pan Racks				
1330Z	20 3/8" x 69 3/4" x 26"	30	2"	86
1331Z	20 3/8" x 69 3/4" x 26"	20	3"	68
1332Z	20 3/8" x 69 3/4" x 26"	15	4"	61
1333Z	20 3/8" x 69 3/4" x 26"	12	5"	57
Roll-In Nesting "Z" Pan Racks				
97379 *	20 3/8" x 64 3/4" x 26"	11	5"	60
99866 *	20 3/8" x 64 3/4" x 26"	18	3"	65

Four 5" plate type swivel casters (#C450).

Designed to accommodate 13" x 18", 14" x 18" and 18" x 26" pans.

* Not NSF Certified.

Options:

- Caster Locks (2)** - Add "CL" suffix to model #.
- Medical Caster Upgrade** - Add "MD" suffix to model #.
- Vertical Bumpers (4)** - Add "VB" suffix to model #.



All sheet pan racks quoted hold USA standardized 18 x 26" sheet pans (17 1/8 x 25 3/8" actual). We are not responsible for pans that do not meet the industry standard, which may not fit our racks.

New Age Industrial Corp., Inc. || NewAgeIndustrial.com || Made in the USA

PO Box 520 • 16788 US Hwy 36 • Norton, Kansas 67654 || Phone: (800) 255-0104 • (785) 877-5121 || Fax: (877)-877-7687 • (785) 877-2616

This information is for general sales and engineering use only. New Age Industrial reserves the right to modify or make changes at any time, without notice, to materials and specifications.