

SOMERSET®

Tel: 978.667.3355

800.772.4404

Fax: 978.671.9466

Email: somerset@smrset.com

www.smrset.com



CHEESE SHREDDER

SCS-150

MACHINE FEATURES:

- **Shred 25+ pounds of cheese per minute**
- **Machine accepts 8 pound blocks of cheese**
- **All stainless steel construction**
- **UL & NSF approved**
- **No adjustments needed**
- **Maintenance free**
- **Fully assembled with 3/16" standard blade**

OPTIONAL BLADES AVAILABLE:

- **3/32"**
- **5/32"**
- **1/4"**
- **5/16"**
- **1/2"**



SOMERSET

CHEESE SHREDDER

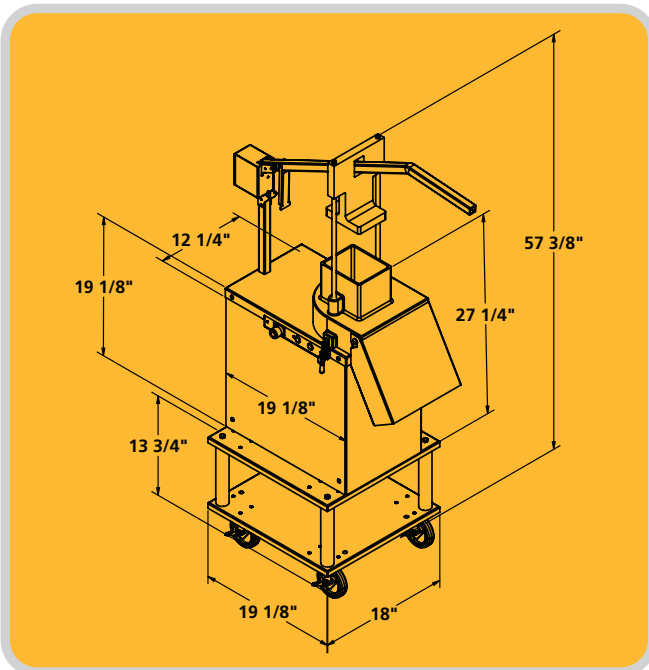
SCS-150

INDUSTRY USES

- Pizzerias
- Other ethnic food production
- Institutions
- Mexican establishments
- Restaurants



SPECIFICATIONS



Shredder stand with casters that has 360 degree mobility.

Optional cheese box shelving available for stand.

Bearings: Sealed Ball Bearings Permanently Lubricated

Gear Motor: Heavy Duty 2HP, Maintenance Free, Single Phase, 220V – 50Hz/60Hz

Finishing: All Stainless Steel

Shipping Weight: 175 lbs. (79 kgs.)



PATENT PENDING

MADE IN THE U.S.A.