

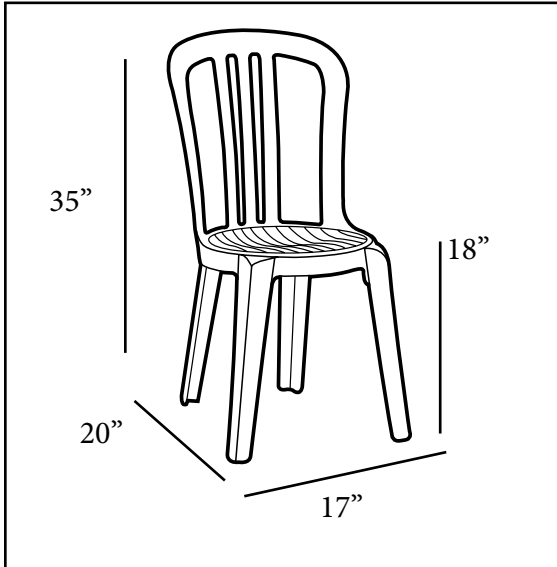


COMMERCIAL RESIN FURNITURE

Your best value for Food Service & Hospitality!

Miami Bistro Stacking Sidechair

Passes ASTM F 1561-96 Class B
performance standard for commercial outdoor seating



Features & Benefits **Warranty: 3 Yrs.**

- There is more to this stacker than meets the eye. This chair adjusts to your body weight to provide optimum comfort.
- Rated to 300 pounds for safe use in commercial environments.
- Chair made of 100% prime synthetic resin. U.V. stabilized for greater resistance to sun degradation and changing weather conditions.
- High, contoured and flexible back joints with a shaped seat for extra comfort.
- Glossy and matte alternating stripes further enhance the design of the seat.
- One-piece molded construction. Stacks easily, nests closely.
- Extremely durable. Easy to maintain; just a wet sponge and a drop of a mild liquid detergent will restore this chair to a fresh new look.
- Versatile; this staple of the industry was made and designed by Grosfillex for terraces, cafes, concessions, balconies, parks and special events in the great outdoors.

Product Description	Reference Number	Color	UPC Code	Weight Each (lbs.)	Master Pack	Master Pack Volume (cu. ft.)
Miami Bistro Stacking Sidechair	US495504	White	100425	7.09	32	43.18
	US495004	White	100425	7.75	4	10.59
	US495517	Black	100197	7.09	32	43.18
	US495017	Black	100197	7.75	4	10.59
	US495578	Amazon Green	100463	7.09	32	43.18
	US495078	Amazon Green	100463	7.75	4	10.59
	US495502	Charcoal	136400	7.09	32	43.18
	US495002	Charcoal	136400	7.75	4	10.59