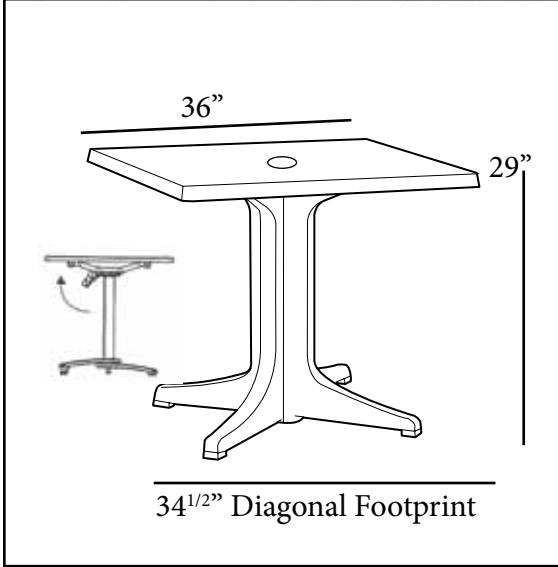




COMMERCIAL RESIN FURNITURE

Your best value for Food Service & Hospitality!



# 36" Square Molded Melamine Tabletop

with umbrella hole

**Features & Benefits** **Warranty: 2 Yrs.**

- Trendy marble, granite finish, or deco tops to complement all Grosfillex chairs.
- Hard, smooth molded tabletop made of a molded wood/resin body with a fusion bonded melamine top.
- Stain, burn, scratch, and fade resistant.
- Use Grosfillex's wide 4-prong central resin pedestal base 2000, tilt top aluminum base 200 base, or bar height tulip table base with anti-skid glides for stability.
- Large 1 1/2" umbrella hole with protective resin fitting and cap. No need for umbrella base.
- Cleans easily with soap and water.
- Specifically designed and engineered for fine dining in hospitality environments.
- Customize designs by mixing and matching tabletops and bases.
- Top and Base sold separately.

**Product Specifications**

Product Description	Reference Number	Color	UPC Code	Weight Each (lbs.)	Master Pack	Master Pack Volume (cu. ft.)
36" Square Molded Melamine Tabletop with umbrella hole Use Resin Ped Base 2000 or Tilt Top Aluminum Base 200 or Bar Height Tulip Table Base	99871004	White	112398	31.00	1	2.38
	99871025	Granite Green	112374			
	99871058	Catalan	908519			
	99871002	Tokyo Stone	132679			