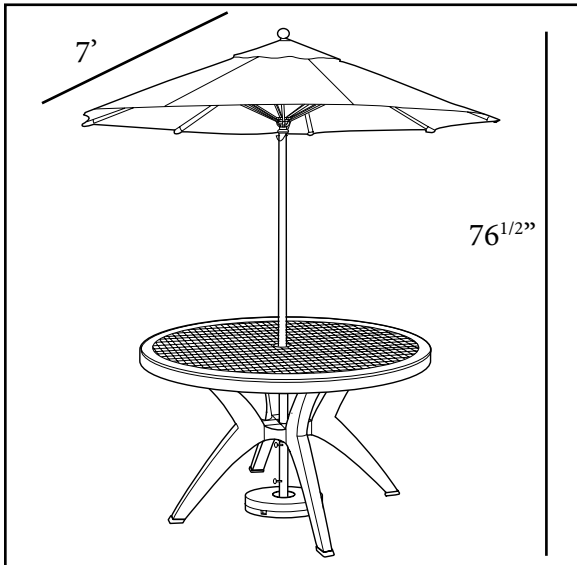


# New Colors!

## 7' Round Market Umbrella with 1 1/2" Wooden Pole



**Features & Benefits** **Warranty: 5 Yrs. on Grade C Fabric/1 Yr. on Poles**

- 7 ft. wooden market umbrella with eight ribs and vent. 95% sunscreen.
- Two piece 1 1/2" hard kempas wood pole for structural strength with brass connector for easy transportation and shipping. Can be shipped via UPS.
- All brass hardware to resist corrosion.
- Will fit all Grosfillex pedestal tables.
- A selection of Outdura® solution-dyed acrylic traditional fabric colors - Grade C.
- Fully tested to 1000 hours for fade resistance in laboratory tests to meet ASTM G53-96 performance standards for commercial outdoor furniture fabric. Fabric complies with ACFFA requirements.
- Pulley facilitates easy opening and closing.
- Fade, stain and mildew resistant.
- Umbrella is 8" higher when used with optional bar height bottom pole.

**Product Specifications**

Product Description	Reference Number	Color	UPC Code	Weight Each (lbs.)	Master Pack	Master Pack Volume (cu. ft.)
7 Ft. Round Market Umbrella with 1 1/2" Wooden Pole  <i>New Colors!</i>	98942031	Forest Green	138015	22.00	1	1.32
	98949731	Pacific Blue	138008			
	98942731	Burgundy	137995			
	98948231	Terra Cotta	141084			
	98940331	Khaki	142500			
	98944931	Pesto	909882			
	98944831	Sand	909875			
	98940431	White	142531			
	98945031	Spa Blue	912813			
	98948131	Taupe	912868			
	98943131	Turquoise	912912			

*Available Base Options:*  
35 lb. Table Umbrella Base with 10" Stem  
Optional 35 lb. Base Ring  
82 lb. Umbrella Base with Wheels

Resin Umbrella Base with Fill Cap  
70 lb. Market Umbrella Base (Freestanding)

*Available Pole Options:*  
Bar Height Wooden Bottom Pole