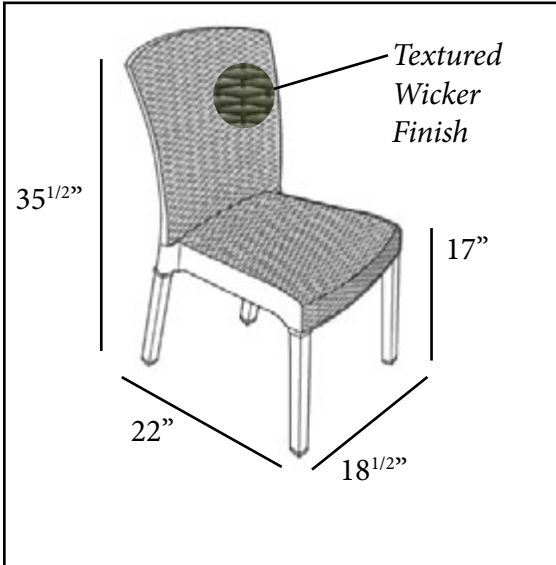




COMMERCIAL RESIN FURNITURE

Your best value for Food Service & Hospitality!



Havana Classic Stacking Sidechair

Tested in accordance with and passes each test procedure utilized in ASTM F 1561-96 Class B performance standard for commercial outdoor seating

Features & Benefits **Warranty: 3 Yrs.**

- A product of Grosfillex new MPC Technology®
- Designer's Choice with a decorative wicker finish texture - front and back.
- Texture will not harbor dirt, germs, bacteria, nor fungi.
- Easy to clean with soap or a mild detergent and water.
- Rated to 300 lbs. for safe use in commercial environments.
- 1 1/4" square powder coated aluminum legs with hard wearing footpads for structural integrity.
- Stacks for easy storage.

Product Specifications						
Product Description	Reference Number	Color	UPC Code 014306	Weight Each (lbs.)	Master Pack	Master Pack Volume (cu. ft.)
Havana Classic Stacking Sidechair	45609037	Espresso	142708	12.25	12	60.24
	US609037	Espresso	142708	11.37	4	21.60
	45609008	Tobacco	142715	12.25	12	60.24
	US609008	Tobacco	142715	11.37	4	21.60
	45609002	Charcoal	908359	12.25	12	60.24
	US609002	Charcoal	908359	11.37	4	21.60