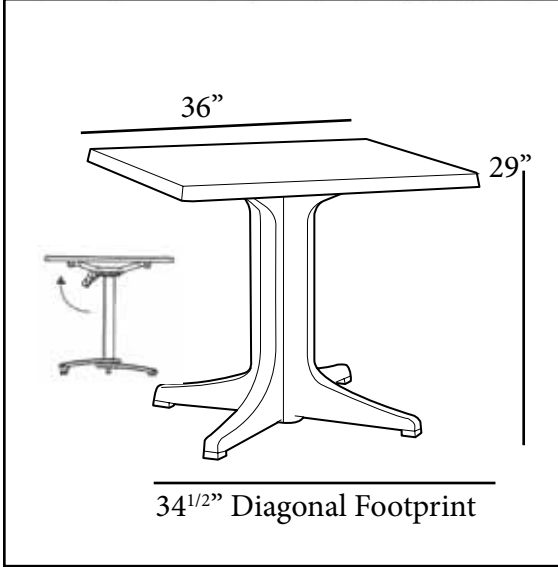




COMMERCIAL RESIN FURNITURE

Your best value for Food Service & Hospitality!



36" Square Molded Melamine Tabletop

without umbrella hole

Features & Benefits **Warranty: 2 Yrs.**

- Trendy marble, granite finish, or deco tops to complement all Grosfillex chairs.
- Hard, smooth molded tabletop made of a molded wood/resin body with a fusion bonded melamine top.
- Stain, burn, scratch, and fade resistant.
- Use Grosfillex's wide 4-prong central resin pedestal base 2000, tilt top aluminum base 200 base, or bar height tulip table base with anti-skid glides for stability.
- Cleans easily with soap and water.
- Specifically designed and engineered for fine dining in hospitality environments.
- Customize designs by mixing and matching tabletops and bases.
- Top and Base sold separately.

Product Specifications

Product Description	Reference Number	Color	UPC Code 014306	Weight Each (lbs.)	Master Pack	Master Pack Volume (cu. ft.)
36" Square Molded Melamine Tabletop <i>without umbrella hole</i> Use Resin Ped Base 2000 or Tilt Top Aluminum Base 200 or Bar Height Tulip Table Base	99871108	Teak Decor	139753	31.00	1	2.38
	99872158	Catalan				
	99871102	Tokyo Stone	139715			
	99871125	Granite Green	139739			