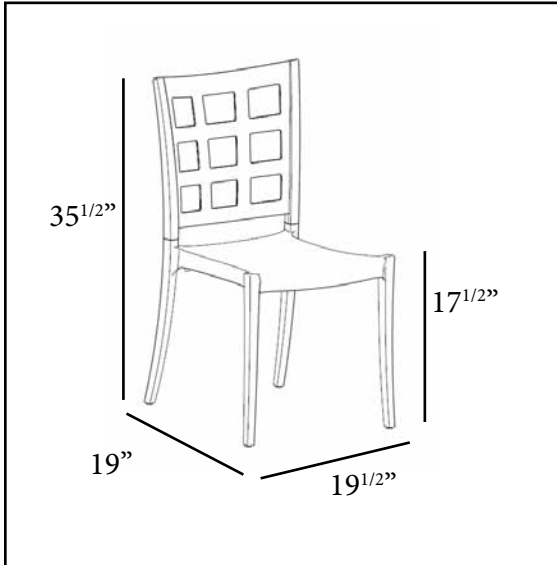




New!

Plazza Stacking Chair

Passes ASTM F 1561 Class B standard
for safe commercial use.



Features & Benefits **Warranty: 3 Yrs.**

- Window pane design with a view on the contemporary architectural universe.
- High backrest with a wide ergonomic seat.
- Opaque color hues to compliment timeless wood decors as well as contemporary or transitional furnishings.
- Stacks for easy storage.
- Easy to handle to put in place or to move.
- Can be easily cleaned with soap and water.
- Rated to 300 lbs. for safe use in commercial environments.
- All white option for special events applications.

Product Specifications						
Product Description	Reference Number	Color	UPC Code 014306	Weight Each (lbs.)	Master Pack	Master Pack Volume (cu. ft.)
New! Plazza Stacking Chair	XA646202	Apple Red/Charcoal	917528	9.26	16	38.03
	US646202	Apple Red/Charcoal	917528	10.50	4	15.06
	XA646581	Linen/Charcoal	917535	9.26	16	38.03
	US646581	Linen/Charcoal	917535	10.50	4	15.06
	XA648096	Glacier White/Glacier White	917559	9.26	16	38.03
	US648096	Glacier White/Glacier White	917559	10.50	6	15.06