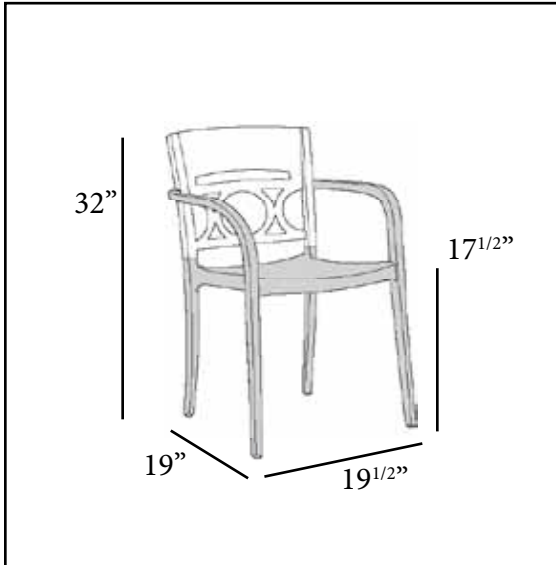


Moon Stacking Armchair

**Passes ASTM F 1561 Class B standard
for safe commercial outdoor use.**



Features & Benefits **Warranty: 3 Yrs.**

- Contemporary two color rendition of a traditional cast design of the antique world.
- Low backrest with a wide ergonomic seat.
- Opaque color hues to brighten the outdoor design scheme.
- Stacks for easy storage.
- Easy to handle and move around patios and terraces.
- Can easily be cleaned with soap and water.
- Rated to 300 lbs. for safe use in commercial environments.

Product Specifications						
Product Description	Reference Number	Color	UPC Code 014306	Weight Each (lbs.)	Master Pack	Master Pack Volume (cu. ft.)
<i>New!</i> Moon Stacking Armchair	XA651096	Glacier White/Linen	917603	9.59	16	44.32
	US651096	Glacier White/Linen	917603	10.51	4	16.95
	XA651196	Storm Blue/Linen	917610	9.59	16	44.32
	US651196	Storm Blue/Linen	917610	10.51	4	16.95
	XA651282	Cactus Green/Linen	917627	9.59	16	44.32
	US651282	Cactus Green/Linen	917627	10.51	4	16.95
	XA652579	Titanium Gray/Charcoal	917634	9.59	16	44.32
	US652579	Titanium Gray/Charcoal	917634	10.51	4	16.95