



Job Name \_\_\_\_\_

Item # \_\_\_\_\_

# FOOD SERVICE EQUIPMENT

Spec Sheet No. TR-1

## Buffet Table

- o B2-120-B
- o B3-120-B
- o B4-120-B
- o B2-208/240-B
- o B3-208/240-B
- o B4-208/240-B
- o B5-208/240-B

### Stainless Steel Well Models

- o B2-120-B-S
- o B3-120-B-S
- o B4-120-B-S
- o B2-208/240-B-S
- o B3-208/240-B-S
- o B4-208/240-B-S
- o B5-208/240-B-S

### Accessories:

- o Solid tray Shelf - Models *TTS-(2-5)*
- o Tubular Tray Rail - Models *TTR-(2-5)*
- o Dish Shelf Add-On(mount under tray shelf)- Models *TDS-(2-5)*
- o Stainless End Shelf - Model *BES-2*
- o Aluminum Spillage Pans - Model *SP-A*
- o Stainless Steel Spillage Pans - Model *SP-S*

### Consult Factory for:

- Heat Lamp Assembly
- Fluorescent Light Assembly



B4-120-B Shown.

## Specifications

**TOP:** 20 gauge #302 stainless steel with die stamped pan openings. (11.875" x 20.062")

**BODY:** 20 gauge vinyl clad steel (Black).

**LEGS:** 20 gauge vinyl clad steel with 4" casters.

**TRAY SHELF:** 18 gauge stainless steel tray shelf-drop down-1 sided.

**LINING:** 8" deep 22 gauge galvanized steel or #302 stainless steel lining (optional w/ -S suffix).

**SNEEZE GUARD:** 1/4" Lexan®.

**FINISH:** Matte Black (B) vinyl clad steel.

## Features

6' electrical cord with plug

Infinite control knobs

Indicator lights

Single phase wiring

500 Watt elements (120 volt)

1000 Watt elements (208/240 volt)

Fiberglass insulation between each compartment



Freight Class 85



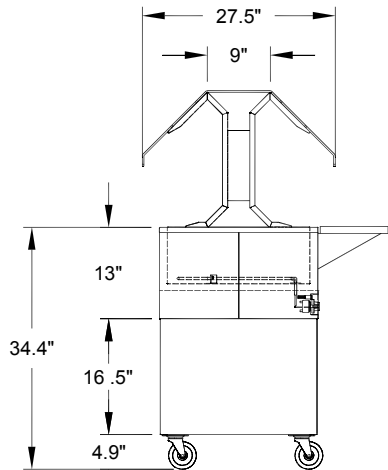
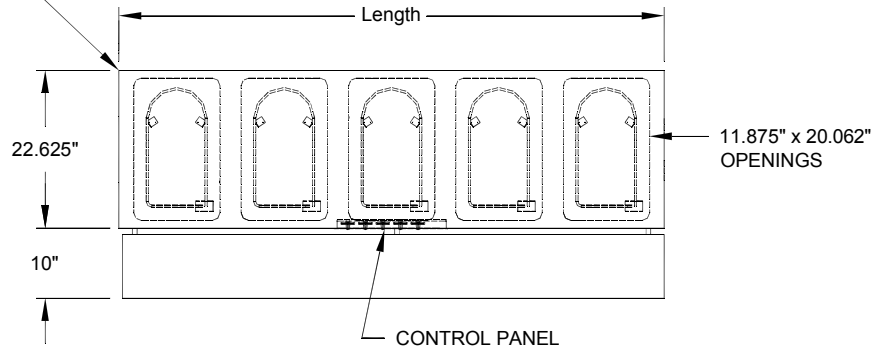
3125 Trotters Parkway  
Alpharetta, GA 30004  
www.suprememetal.com

Toll Free: 800-645-2526  
770-740-6000  
Fax: 770-740-6010

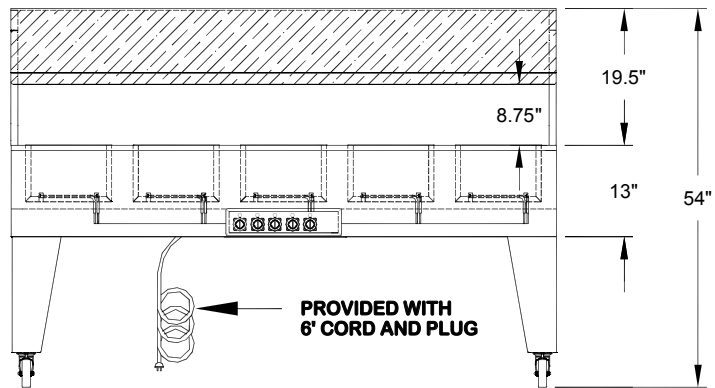


### PLAN VIEW

VIEW WITHOUT OVERSHELF



### SECTIONAL VIEW



### ELEVATION VIEW

All dimensions are the same for the stainless steel wells option.

Model #	Length	# of Wells	Weight	Cubic Feet	NEMA Plug	True Amp Draw / Watts per Unit
B2-120-B	A = 31- <sup>13</sup> / <sub>16</sub> "	2	145	38.93	5-20P	8.33 / 1000
B3-120-B	B = 47 <sup>1</sup> / <sub>8</sub> "	3	190	55.62	5-20P	12.5 / 1500
B4-120-B	C = 62 <sup>7</sup> / <sub>16</sub> "	4	240	73.41	L5-30P	16.67 / 2000
B2-208/240-B	A = 31- <sup>13</sup> / <sub>16</sub> "	2	145	38.93	6-20P	8.33 / 2000
B3-208/240-B	B = 47 <sup>1</sup> / <sub>8</sub> "	3	190	55.62	6-20P	12.5 / 3000
B4-208/240-B	C = 62 <sup>7</sup> / <sub>16</sub> "	4	240	73.41	L6-30P	16.67 / 4000
B5-208/240-B	D = 77 <sup>3</sup> / <sub>4</sub> "	5	295	90.10	L6-30P	20.83 / 5000



NEMA PLUG 5-20P



NEMA PLUG 6-20P



NEMA PLUG L5-30P



NEMA PLUG L6-30P

We reserve the right to modify specifications in line with our policy of continuous product improvement.

© Supreme Metal 2009.

