



Job Name \_\_\_\_\_

Item # \_\_\_\_\_

# FOOD SERVICE EQUIPMENT

Spec Sheet No. TR-18

## Drop-In Sealed Well

- o DISW-1-120
- o DISW-2-120
- o DISW-3-120
- o DISW-1-208
- o DISW-2-208
- o DISW-3-208
- o DISW-4-208
- o DISW-5-208
- o DISW-6-208
- o DISW-1-240
- o DISW-2-240
- o DISW-3-240
- o DISW-4-240
- o DISW-5-240
- o DISW-6-240



DISW-3-120 Shown.

**Upgrade Options:**

- o Thermostatic Controls-Add suffix -T
- o Manifold drains - Add suffix -M
- o Thermostatic controls & Manifold drains - Add suffix-MT

## Specifications

**TOP:** 18 gauge #304 stainless steel with die stamped pan openings and self rimmed. (11.875" x 20.062" opening size)

**BODY:** 20 gauge galvanized.

**REMOTE CONTROL PANEL:** individual infinite controls.

## Features

Drains with gate valves per well

Infinite control knobs

Indicator lights

Unit to be hard wired in the field to the control panel.

Fiberglass insulation between each compartment

Single phase wiring

1100 Watt elements (120 volt)

825 Watt elements (208 volt)

1100 Wattt elements (240 volt)



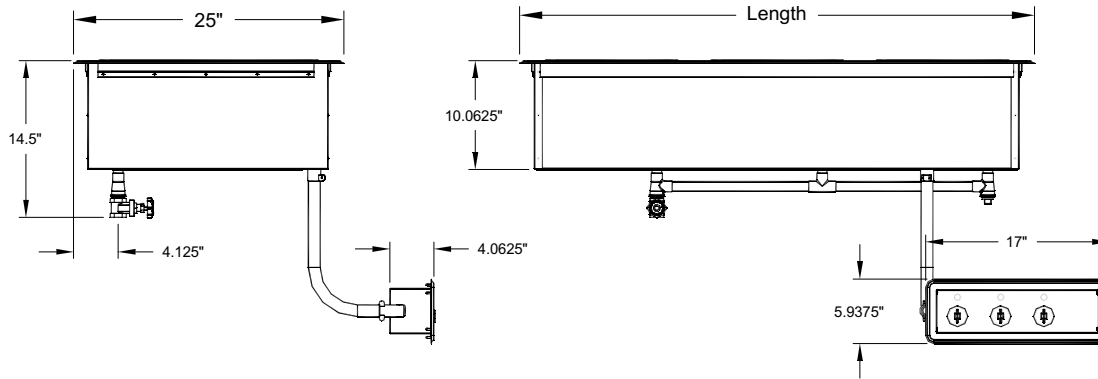
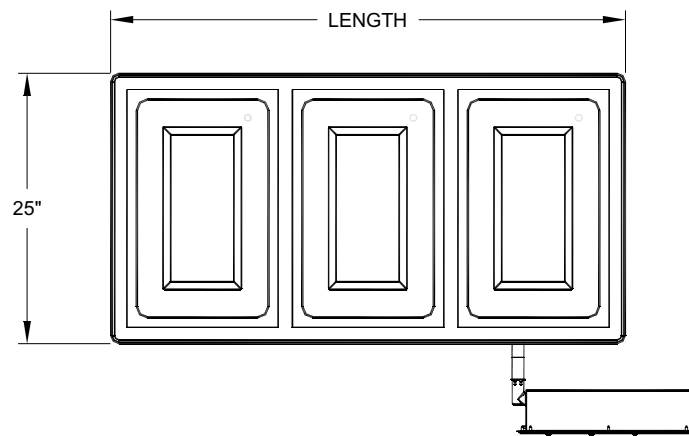
Freight Class 85



3125 Trotters Parkway  
Alpharetta, GA 30004  
www.suprememetal.com

Toll Free: 800-645-2526  
770-740-6000  
Fax: 770-740-6010

Central Restaurant Products



Model #	Length	Cut-Out Size(Unit)	Cut-Out Size (Controls)	Weight	Cubic Feet	True Amp Draw / Watts per Unit
DISW-1-120	17 "	22-7/8" x 15-1/8"	4-5/16" x 7-3/8"	34	6.3	9.17 / 1100
DISW-2-120	32 5/16"	22-7/8" x 30-7/16"	4-5/16" x 15-3/8"	46	11	18.33 / 2200
DISW-3-120	47 5/8"	22-7/8" x 45-3/4"	4-5/16" x 15-3/8"	58	17.89	27.5 / 3300
DISW-1-208	17 "	22-7/8" x 15-1/8"	4-5/16" x 7-3/8"	34	6.3	3.97 / 825
DISW-2-208	32 5/16"	22-7/8" x 30-7/16"	4-5/16" x 15-3/8"	46	11	7.93 / 1650
DISW-3-208	47 5/8"	22-7/8" x 45-3/4"	4-5/16" x 15-3/8"	58	17.89	11.9 / 2475
DISW-4-208	62 15/16"	22-7/8" x 61-1/8"	4-5/16" x 15-3/8"	70	23.48	15.87 / 3300
DISW-5-208	78 1/4"	22-7/8" x 76-3/8"	4-5/16" x 15-3/8"	82	26	19.83 / 4125
DISW-6-208	93 9/16"	22-7/8" x 91-11/16"	(2 ea) 4-5/16" x 15-3/8"	94	35.03	23.80 / 4950
DISW-1-240	17 "	22-7/8" x 15-1/8"	4-5/16" x 7-3/8"	34	6.3	4.58 / 1100
DISW-2-240	32 5/16"	22-7/8" x 30-7/16"	4-5/16" x 15-3/8"	46	11	9.17 / 2200
DISW-3-240	47 5/8"	22-7/8" x 45-3/4"	4-5/16" x 15-3/8"	58	17.89	13.75 / 3300
DISW-4-240	62 15/16"	22-7/8" x 61-1/8"	4-5/16" x 15-3/8"	70	23.48	18.33 / 4400
DISW-5-240	78 1/4"	22-7/8" x 76-3/8"	4-5/16" x 15-3/8"	82	26	22.92 / 5500
DISW-6-240	93 9/16"	22-7/8" x 91-11/16"	(2 ea) 4-5/16" x 15-3/8"	94	35.03	27.5 / 6600

3125 Trotters Parkway  
 Alpharetta, GA 30004  
 www.suprememetal.com

Toll Free: 800-645-2526  
 770-740-6000  
 Fax: 770-740-6010

We reserve the right to modify specifications in line with our policy of continuous product improvement.

© Supreme Metal 2006. Supreme Metal