




# TWIN & TRIPLE WELL FOOD SERVERS

Models Twin FS-4 Plus & Triple FS-4 Plus



 **TWIN FS-4 PLUS 81200**  
ALSO AVAILABLE FOR EXPORT



 **TRIPLE FS-4 PLUS 85900**



 **TWIN FS-4 PLUS MERCHANDISER 87710**

## BID DESCRIPTION

The twin and triple food servers are water-bath warmers constructed of stainless steel with a brushed (#4) finish. Inset and lid assemblies are included. Hinged lids stay upright during ladling and feature a rim that collects moisture and returns it to the food. Insets have a 5 quart (4.7 L) capacity each. Power is controlled with an individual ON/OFF rocker switch for each food vessel.

A temperature-sensing thermostat and 500 watt, wrap-around heating element is dedicated to each inset. Temperature settings—on thermostat knob—range from 100° F (38° C) to 200° F (93° C).

New soup merchandising stations feature attractive graphics on warmer base - available with or without header board. Includes (2) or (3) 4 oz Kool Touch® ladles.

## STANDARD FEATURES

- All stainless steel construction for durability
- NSF-Listed rethermalizer quickly heats to safe serving temperature
- Lid rim returns moisture to the food to retain flavor, and stay upright during ladling
- Temperature-sensing thermostats provide accurate heat control
- Temperature marks on knobs
- Larger-capacity, 5 qt insets leave room to stir

## ACCESSORY ITEMS

- 5 qt (4.7 L) Inset & Lid Assembly 81111
- 4 oz (118 mL) Kool Touch® Ladle 87614

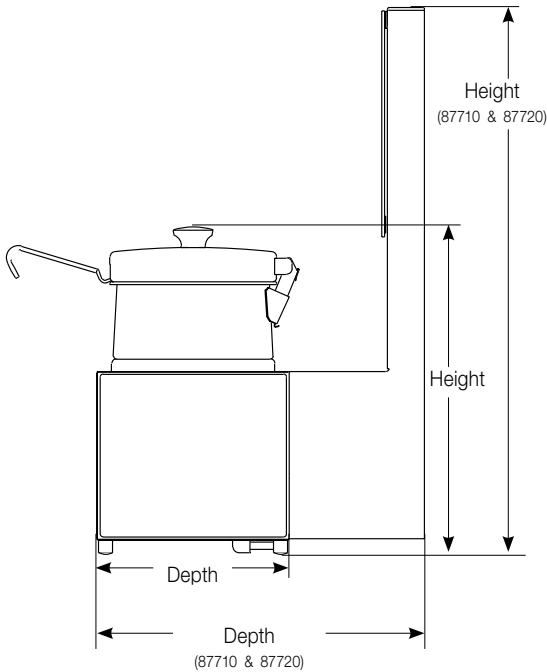
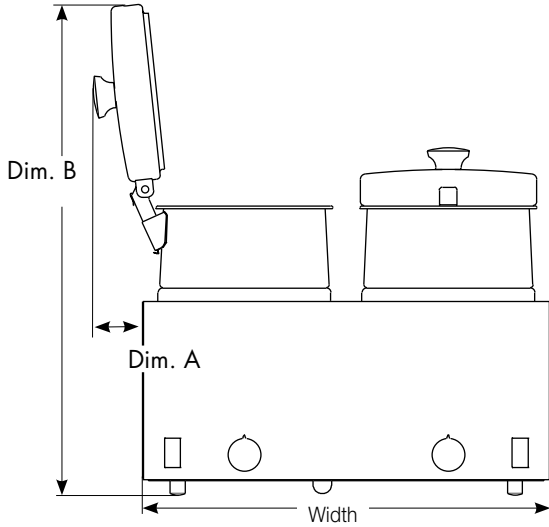








SPECIFICATIONS ON REVERSE SIDE

# TWIN & TRIPLE WELL FOOD SERVERS

Models Twin FS-4 Plus & Triple FS-4 Plus

## FOOD SERVERS



MODELS	TWIN FS-4 PLUS 81200 	TRIPLE FS-4 PLUS 85900 
	TWIN FS-4 PLUS SOUP MERCHANDISER WITHOUT HEADER 87635 	TRIPLE FS-4 PLUS SOUP MERCHANDISER WITHOUT HEADER 87646 
Capacity	(2) insets hold 5 qt (4.7 L) each; 10 qt (9.4 L) total	(3) insets hold 5 qt (4.7 L) each; 15 qt (14.1 L) total
Height	14 1/2" 36.8 cm	14 1/2" 36.8 cm
Width	17" 43.2 cm	25 1/2" 64.8 cm
Depth	9 5/8" 24.4 cm	9 5/8" 24.4 cm
Dim. A	2 1/16" 5.2 cm	2 1/16" 5.2 cm
Dim. B	20 7/16" 51 cm	20 7/16" 51 cm
Electrical	120V, 60Hz, 1000W, 8.3A	120V, 60Hz, 1500W, 12.5A
Weight	20 lb 9.1 kg	28 lb 12.7 kg
MODELS	TWIN FS-4 PLUS SOUP MERCHANDISER WITH HEADER 87710 	TRIPLE FS-4 PLUS SOUP MERCHANDISER WITH HEADER 87720 
Capacity	(2) insets hold 5 qt (4.7 L) each; 10 qt (9.4 L) total	(3) insets hold 5 qt (4.7 L) each; 15 qt (14.1 L) total
Height (with header)	24 3/16" 61.4 cm	24 3/16" 61.4 cm
Width (with header)	17" 43.2 cm	25 1/2" 64.8 cm
Depth (with header)	14 1/2" 36.8 cm	14 1/2" 36.8 cm
Electrical	120V, 60Hz, 1000W, 8.3A	120V, 60Hz, 1500W, 12.5A
Weight	23 lb 10.4 kg	31 lb 14.1 kg

FOB RICHFIELD, WISCONSIN 53076

NSF LISTED AS A RETHERMALIZATION UNIT TO ENSURE FOOD IS QUICKLY HEATED TO A SAFE TEMPERATURE BEFORE BACTERIA HAS AN OPPORTUNITY TO GROW. 