



FOOD WARMERS {FOOD SERVERS} SINGLE WELL

Models FS-4
FS-7, FS-11

Date:

Project:

Quantity:

Item Number:



FS-4 81000

Bid Description

The round series of water bath warmer/cookers is constructed of stainless steel with a polished finish. Inset and lid assemblies are included. The lid stays upright during ladling and features a rim that collects moisture and returns it to the food.

An adjustable precalibrated thermostat controls the heating element. Temperature settings marked on thermostat knob—range from 100° F (38° C) to 200° F (93° C) on FS-4. FS-7 and FS-11 range from 60° F (16° C) to 200° F (93° C).

FS-4 has a 4 quart (3.8 L) capacity with 500 watts. Power is controlled with an ON/OFF rocker switch.

FS-7 has a 7 quart (6.6 L) capacity with 1000 watts. FS-11 has an 11 quart (10.4) capacity with 1500 watts. Power is controlled with a positive off/on thermostat for both the FS-7 and FS-11.



FS-11 84100

Standard Features

Water fill line eliminates overflow accidents

Adjustable precalibrated thermostat for accurate heat control

Temperature marks on knob with protective knob guard

Inside lid rim returns moisture to the food to retain flavor

Hinged lid stays upright during ladling for easy customer use

Handle on FS-7 and FS-11 assists in opening larger lids ergonomically—no more reaching

Food Server/Cooker Accessories

- 4 qt (3.8 L) Inset & Lid Assembly 81050
- 7 qt (6.6 L) Inset & Lid Assembly 84040
- 11 qt (10.4 L) Inset & Lid Assembly 84149
- 2 oz (59 mL) Ladle 82660
- 4 oz (118 mL) Ladle 82574
- 6 oz (177 mL) Ladle 82661
- 8 oz (237 mL) Ladle 82662



NSF-certified as a rethermalization unit



Warranty

Server Products equipment is backed by a two-year limited warranty against defects in materials and workmanship. For a copy of our complete warranty statement, see our web site or contact us.

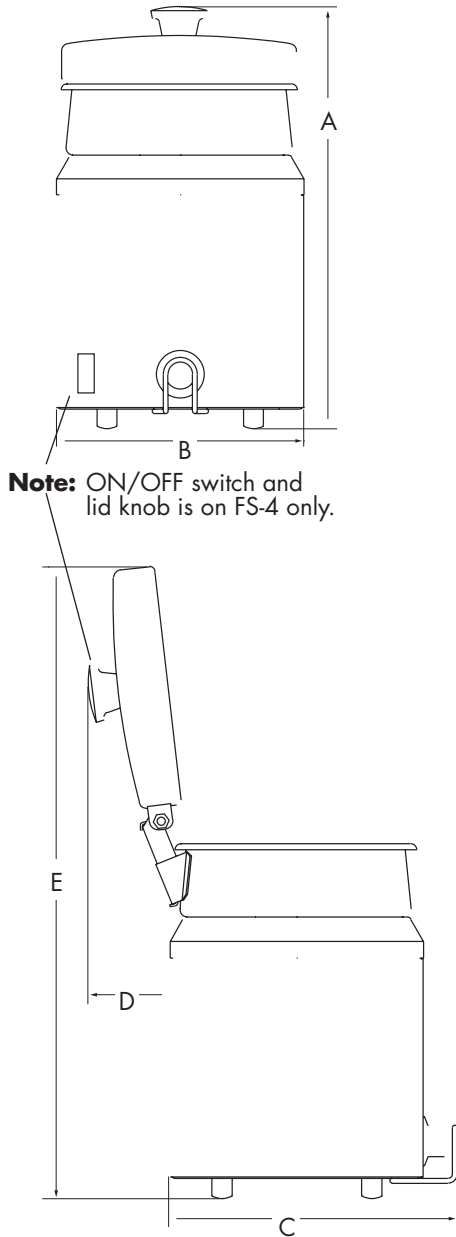
Specifications on reverse side



FOOD WARMERS {FOOD SERVERS} SINGLE WELL

Models FS-4,
FS-7, FS-11

Food Server/Cooker Series



Specifications

Construction	Stainless steel units with a polished finish. Includes exclusive inset and lid assembly.		
Electrical	120V, 60Hz, 72" (183 cm) cord set NEMA 5-15P, 15A, 125V PLUG		
Models	FS-4 81000	FS-7 84000	FS-11 84100
Capacity qt	4	7	11
L	3.8	6.6	10.4
A-Height in	13 ⁵ / ₁₆	14 ³ / ₁₆	14 ¹ / ₄
cm	33.8	36	36.1
B-Width in	7 ³ / ₄	9 ⁹ / ₁₆	11 ⁹ / ₁₆
cm	19.7	24.3	29.4
C-Depth in	8 ¹³ / ₁₆	11	13
cm	22.4	27.9	33
D-Depth in	2 ¹ / ₂	2 ³ / ₁₆	2 ³ / ₁₆
cm	6.4	5.6	5.6
E-Height in	19 ³ / ₈	22 ⁹ / ₁₆	24 ⁹ / ₁₆
cm	49.2	57.3	62.4
Electrical	500 watts 4.1 amps	1000 watts 8.3 amps	1500 watts 12.5 amps
Weight	9 lb 4.1 kg	13 lb 5.9 kg	16 lb 7.3 kg

FOB Richfield, Wisconsin 53076

NSF Listed as a rethermalization unit to ensure food is quickly heated to a safe temperature before bacteria has an opportunity to grow.

CAD Library

Individual CAD images can be downloaded from product pages on our web site. We are also a member of The KCL CADalog with more than 100 other manufacturers. Our complete collection of CAD files can be purchased through Kochman Consultants, Ltd. at kclcad.com.



Server Products, Inc. • P.O. Box 98 • Richfield, WI 53076 • Toll Free: 800-558-8722
P: 262-628-5600 • F: 262-628-5110 • spsales@server-products.com • server-products.com
Server Products, Inc. reserves the right to modify specifications without obligation. Printed in USA

10-2008/.1M Stock #02008