



# FOOD WARMERS: HOT TOPPING TWIN PUMP/LADLE

Models Twin FS/FSP, Twin FSP & Twin FS



TWIN FS/FSP 81290



TWIN FS 81220

## BID DESCRIPTION

All stainless steel construction with a brushed (#4) finish. Each dispenses directly from (2) stainless steel jars or #10 cans (not included).

(2) adjustable precalibrated thermostats control individual 500 watt heating elements. Temperature settings—marked on thermostat knobs—range from 100° F (38° C) to 200° F (93° C). Power is controlled with (2) ON/OFF rocker switches.

The Twin FS/FSP is designed to pump and ladle hot toppings. Comes complete with a lift-off lid and 1 ounce (30 mL) 10" (25.4 cm) Ladle (82561). The pump features a rugged cast valve body and welded construction. Maximum stroke yields 1 ounce (30 mL). Gauging collars are supplied to reduce yield in 1/8 ounce (3.7 mL) increments.

The Twin FSP is designed to pump (2) hot toppings.

The Twin FS is designed to ladle (2) hot toppings.

## STANDARD FEATURES

- All stainless steel construction for durability
- Pump design prevents loss of valve balls
- Water fill line eliminates overflow accidents
- (2) 500W heating elements for reliable heating & holding
- Adjustable precalibrated thermostats for accurate heat control
- Temperature marks on knobs with protective knob guard
- Dispense directly from stainless steel jars or #10 cans
- Pump stroke yields 1 oz (30 mL), now adjustable in 1/8 oz (3.7 mL) increments — allows for Portion Optimization™
- (2) cleaning brushes included with pumps for maintenance

## ACCESSORY ITEMS

- 1 oz (30 mL) 10" (25.4 cm) Ladle 82561
- 3 qt (2.8 L) Stainless Steel Jar 94009



ALSO AVAILABLE FOR EXPORT

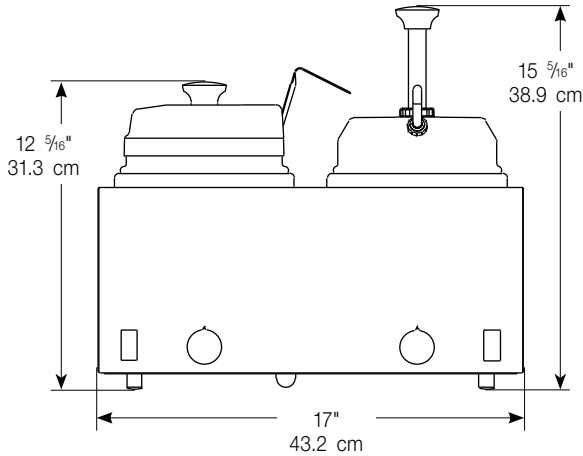
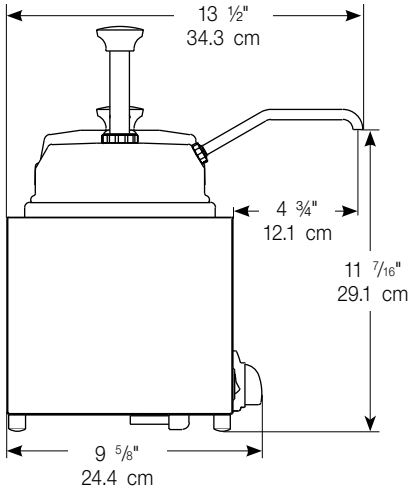
## TWO YEAR WARRANTY


Server Products equipment is backed by a two-year limited warranty against defects in materials and workmanship. For a copy of our complete warranty statement, please refer to [server-products.com](http://server-products.com).

# FOOD WARMERS: HOT TOPPING TWIN PUMP/LADLE


Models Twin FS/FSP, Twin FSP & Twin FS

## TWIN FUDGE SERVER WITH PUMP AND LADLE



MODELS	TWIN FS/FSP 81290	TWIN FSP 81230	TWIN FS 81220 
Height	15 <sup>5</sup> / <sub>16</sub> " 38.9 cm	15 <sup>5</sup> / <sub>16</sub> " 38.9 cm	12 <sup>5</sup> / <sub>16</sub> " 31.3 cm
Width	17" 43.2 cm	17" 43.2 cm	17" 43.2 cm
Depth	13 <sup>1</sup> / <sub>2</sub> " 34.3 cm	13 <sup>1</sup> / <sub>2</sub> " 34.3 cm	13 <sup>1</sup> / <sub>2</sub> " 34.3 cm
Weight	18 lb 8.2 kg	19 lb 8.6 kg	17 lb 7.8 kg
Electrical	120V, 60Hz, 1000W, 8.3A, 72" (183 cm) cord set NEMA 5-15P, 15A, 120V PLUG		
Capacity	(2) stainless steel jars or #10 cans hold 3 qt (2.8 L) each; 6 qt (5.7 L) total		

FOB RICHFIELD, WISCONSIN 53076

NSF LISTED AS A RETHERMALIZATION UNIT TO ENSURE FOOD IS QUICKLY HEATED TO A SAFE TEMPERATURE BEFORE BACTERIA HAS AN OPPORTUNITY TO GROW. 

## CAD LIBRARY

Individual CAD images can be downloaded from our website. We are also a member of The KCL CADalog with more than 100 other manufacturers. Our complete collection of CAD files can be purchased through Kochman Consultants, Ltd. at [kclcad.com](http://kclcad.com).