

Get out all the good.

Stainless Steel Fountain Jar Pumps



Models for countertop, drop-in or slanted fountainette applications, for standard 2 qt or 3 1/2 qt fountain jars

Manage food costs and flavor with precise portion-control

Drop-in models feature a higher discharge point for additional serving clearance

NSF listed, clean-in-place certified or disassemble for cleaning

NEW Thick Pump (TP) and Lever Pump (FP) models reduce dispensing force needed when working with especially thick or thicker products

Use interchangeable colored, engraved knob to identify products; black is standard
(details on p 4)

2 QT FOUNTAIN JARS

(details on p 2)



CP-200 2 oz 87610



FP-200V 82130



FP-200 82100

3 1/2 QT FOUNTAIN JARS

(details on p 3)



CP-F 83330



CP-F 2 oz 87660



TPV-L 80879

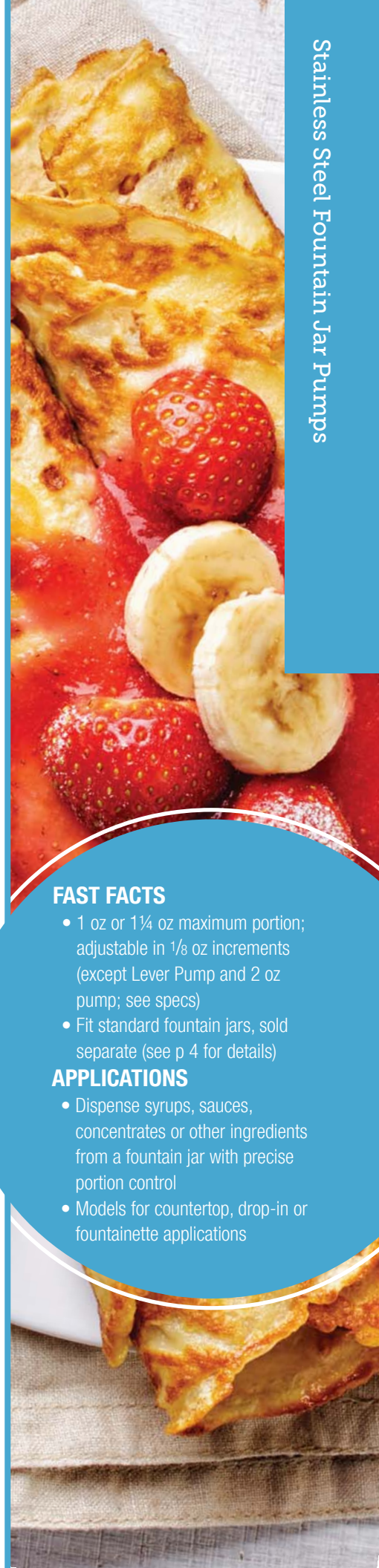
FAST FACTS

- 1 oz or 1 1/4 oz maximum portion; adjustable in 1/8 oz increments (except Lever Pump and 2 oz pump; see specs)
- Fit standard fountain jars, sold separate (see p 4 for details)

APPLICATIONS

- Dispense syrups, sauces, concentrates or other ingredients from a fountain jar with precise portion control
- Models for countertop, drop-in or fountainette applications

Stainless Steel Fountain Jar Pumps



Purposefully made to last.

Stainless Steel Fountain Jar Pumps—2 qt Models CP-200, FP-200V, TP-200V & FP-200

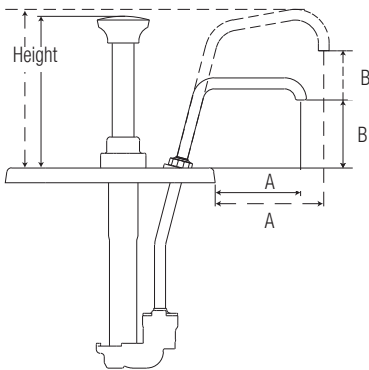
DISPENSES	THIN fountain syrups • oils • hot sauce
	THICK ketchup • mustard • mayonnaise • bbq
	THICKER tartar sauce • crafted sauces
APP	AMBIENT
	COLD
	HOT

SPECIFIER STATEMENT

83300 | 87610 | 82130 | 86750 | 87670 | 82100: Server Products stainless steel pumps for 2 qt (1.9L) fountain jars dispense thin, thick, or thicker craft sauces from a countertop station or slanted fountainette. Models with a 1 oz (30 mL) maximum portion can reduce in 1/8 oz (3.7 mL) increments; 2 oz (60 mL) models adjust to serve 1 3/4, 1 1/2 or 1 1/4 oz (51, 44, or 37 mL) with included collars. NSF listed, clean-in-place certified and BPA Free. Two-year warranty. Ships FOB Richfield, WI 53076.



CP-200, FP-200V, TP-200V & FP-200



CP-200 2 oz 87610

FP-200V 82130

FP-200 82100

order quantity	dispenses	model/item	application	pump & lid fit (jar not incl.)	full portion	dimensions (above jar)	weight	dim a	dim b
<input type="checkbox"/>		CP-200 83300		2 qt fountain jar, shallow (1.9L)	1 oz 30 mL	5 1/2" x 4 1/2" x 7 1/8" 14 x 11.4 x 18.1 cm	3 lb 1.4 kg	3 7/8" 9.8 cm	4 1/8" 10.5 cm
<input type="checkbox"/>		CP-200 2 oz 87610			2 oz 60 mL	6 1/8" x 4 1/2" x 7 1/8" 15.6 x 11.4 x 18.1 cm			
<input type="checkbox"/>		FP-200V 82130		2 qt fountain jar, shallow (1.9L)	1 oz 30 mL	5 1/8" x 4 1/2" x 7 1/8" 13 x 11.4 x 18.1 cm	3 lb 1.4 kg	2 7/8" 7.3 cm	2 5/16" 5.9 cm
<input type="checkbox"/>		NEW TP-200V 86750			2 oz 60 mL	6 1/8" x 4 1/2" x 7 1/8" 15.6 x 11.4 x 18.1 cm	3 lb 1.4 kg	2 7/8" 7.3 cm	2 5/16" 5.9 cm
<input type="checkbox"/>		FP-200V 2 oz 87670		2 qt jar, shallow (slanted) (1.9L)	1 oz 30 mL	5 1/8" x 4 1/2" x 7 1/8" 13 x 11.4 x 18.1 cm	3 lb 1.4 kg	2 1/8" 5.4 cm	2 7/8" 7.3 cm
<input type="checkbox"/>		FP-200 82100			2 oz 60 mL				

Dispensers above fit a standard fountain jar; available in white, black and orange (featured on p 4).

Purposefully made to last.

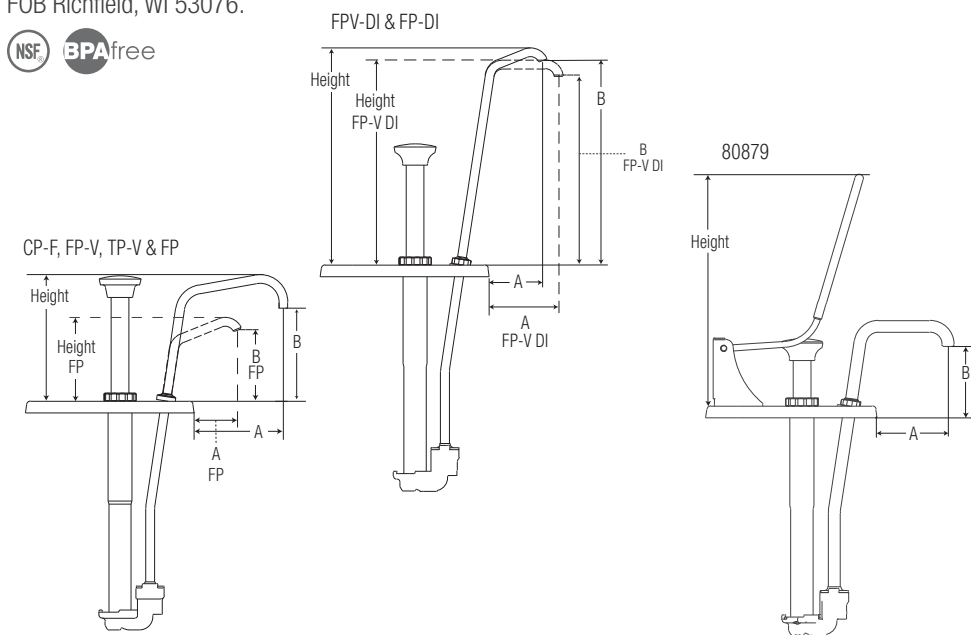
Stainless Steel Fountain Jar Pumps—3 1/2 qt

Models CP-F, FP-V, TP-V, FPV-DI, FP, FP-DI & TPV-L

DISPENSES	THIN fountain syrups • oils • hot sauce
	THICK ketchup • mustard • mayonnaise • bbq
	THICKER tartar sauce • crafted sauces
APP	AMBIENT
	COLD
	HOT

SPECIFIER STATEMENT

83330 | 87660 | 82120 | 86760 | 87650 | 82520 | 82070 | 82990 | 80879: Server Products stainless steel pumps for 3 1/2 qt (3.3 L) fountain jars dispense thin, thick, or thicker craft sauces from a countertop station or slanted fountainette. Models with a 1 1/4 oz (37 mL) maximum portion reduces in 1/8 oz (3.7 mL) increments; 2 oz (60 mL) models adjust to serve 1 3/4, 1 1/2 or 1 1/4 oz (51, 44, or 37 mL) with included collars. Model TPV-L maximum 1 oz (30 mL) portion reduces in 1/8 oz (3.7 mL) increments. NSF listed, clean-in-place certified and BPA Free. Two-year warranty. Ships FOB Richfield, WI 53076.



order quantity	dispenses	model/item	application	pump & lid fit (jar not incl.)	full portion	above jar dims (H x W x D)	weight	dim a	dim b
<input type="checkbox"/>		CP-F 83330		3 1/2 qt fountain jar, deep (3.3L)	1 1/4 oz 37 mL	5 1/2" x 4 1/2" x 7 7/8" 14 x 11.4 x 18.1 cm	3 lb	3 7/8"	4"
<input type="checkbox"/>		CP-F 2 oz 87660			2 oz 60 mL	6 1/8" x 4 1/2" x 7 7/8" 15.6 x 11.4 x 18.1 cm	1.4 kg	9.8 cm	10.2 cm
<input type="checkbox"/>		FP-V 82120		3 1/2 qt fountain jar, deep (3.3L) (use DI model for drop-in)	1 1/4 oz 37 mL	5 1/8" x 4 1/2" x 7 7/8" 13 x 11.4 x 18.1 cm	3 lb 1.4 kg	2 7/8"	2 9/16"
<input type="checkbox"/>		NEW TP-V 86760			2 oz 60 mL	6 1/8" x 4 1/2" x 7 7/8" 15.6 x 11.4 x 18.1 cm		2 7/8"	2 9/16"
<input type="checkbox"/>		FP-V 2 oz 87650		3 1/2 qt jar, deep (slanted) (3.3L) (use DI model for drop-in)	1 1/4 oz 37 mL	9 1/4" x 4 1/2" x 7 7/8" 23.5 x 11.4 x 18.1 cm	3 lb 1.4 kg	3"	8 1/2"
<input type="checkbox"/>		FPV-DI 82520			1 1/4 oz 37 mL	5 1/8" x 4 1/2" x 7 7/8" 13 x 11.4 x 18.1 cm		1 7/8"	3"
<input type="checkbox"/>		FP 82070		3 1/2 qt jar, deep (slanted) (3.3L) (use DI model for drop-in)	1 1/4 oz 37 mL	9 5/16" x 4 1/2" x 7 7/8" 23.7 x 11.4 x 18.1 cm	3 lb 1.4 kg	2 1/4"	8 3/4"
<input type="checkbox"/>		FP-DI 82990			1 1/4 oz 37 mL	9 5/16" x 4 1/2" x 7 7/8" 23.7 x 11.4 x 18.1 cm		2 1/4"	8 3/4"
<input type="checkbox"/>		TPV-L 80879		3 1/2 qt fountain jar, deep (3.3L)	1 oz 30 mL	9 15/16" x 4 1/2" x 7 7/8" 25.2 x 11.4 x 18.1 cm	4 lb 1.8 kg	3 1/16"	2 15/16"

Dispensers above fit a standard fountain jar; available in white, black and orange (featured on p 4).

Purposefully made to last.

Stainless Steel Fountain Jar Pumps—Related Items

FOUNTAIN JARS



83147



83156

order quantity	jar color	item	description	capacity
<input type="checkbox"/>	<input type="checkbox"/>	82558		
<input type="checkbox"/>	<input checked="" type="checkbox"/>	83147	standard, shallow fountain jar	2 qt (1.9L)
<input type="checkbox"/>	<input checked="" type="checkbox"/>	83148		
<input type="checkbox"/>	<input type="checkbox"/>	82557		
<input type="checkbox"/>	<input checked="" type="checkbox"/>	83149	standard, deep fountain jar	3 1/2 qt (3.3L)
<input type="checkbox"/>	<input checked="" type="checkbox"/>	83156		

Server's Standard Fountain Jars

High-impact polypropylene fountain jars feature molded-in feet to prevent tipping during filling. Tabs and side slots allow lids to fit securely; front notch allows lid to close over ladle or spoon handle. Fountain jars can be dropped into a countertop cutout, or placed into a topping station or fountainette. Cutout dimensions are 4 5/16" x 7" (11 x 17.8 cm) for both shallow and deep jars; for jar dimensions, see sheet 02158.

COLORED KNOBS

Interchangeable engraved and colored knobs help staff and patrons identify contents, coordinate with store themes or promote branded products. (Specify color* and text at time of order.)

*Exact shade may vary from picture



SLIM STAINLESS STEEL FOUNTAIN JAR PUMPS

Slim fountain jars allow you to offer more topping in the same amount of space. Create a customized station using slim, standard or both slim and standard stainless steel fountain jar pumps. See how at www.server-products.com/Equipment/Topping-Stations.