

Worry-free dispensing.

Touchless Express™ Dispensers



Hygienic alternative to portion packets – fitmented pouch and closed dispensing system eliminates possibility of food contamination

Direct-Pour model offers convenience not found in volume packaging to dispense fresh, house-made sauces and condiments



Place hand over sensor with cup or food item under dispensing point



Pouched dispensers achieve up to 98% product evacuation

Includes flavor label set for food identification

Single-user dispensing stations save space

Download graphic templates to customize with your brand message and flavor identification

SINGLES (POUCH)



SE-SS-T
100257



SE-SS-TDI
100258

STATIONS (POUCH)



SE-3-T
100468



SE-3-TDI
100469

SINGLE (DIRECT-POUR)



SE-SS-TDP1.3
100259



SE-5-T
100493



SE-5-TDI
100446

FAST FACTS

- PerfectSense® Technology detects user's hand to dispense up to 1-oz; removing hand stops serving early

APPLICATIONS

- Touch-free, self-service of pouched ketchup, mustard, mayo, tartar sauce and dressings (1½-gal, 16-mm fitment)
- House-made dip and sauce solution with Direct-Pour model
- Models for countertop or drop-in use

Zero contact. Total Comfort.

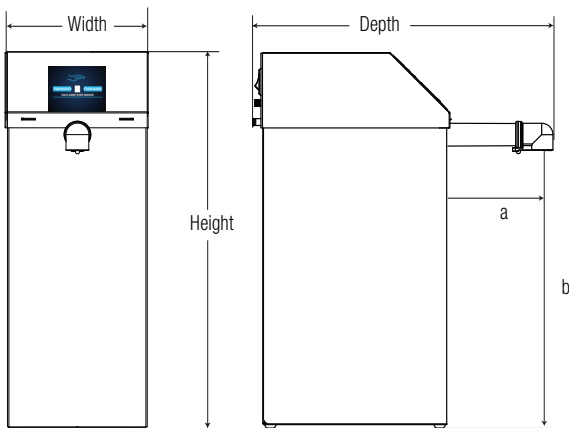
Touchless Express™ Dispensers

Models SE-SS-T, SE-SS-TDI & SE-SS-TDP1.3

SPECIFIER STATEMENT

100257 | 100258 | 100259: Server Products Touchless Express™ dispensers are constructed of a stainless steel vessel with a brushed finish, surgical-quality plastic pump and stainless steel lid. Single pouched units include (1) Express style pump (100264). Single direct-pour unit includes (1) Express direct-pour style pump (100265) and jar and lid (100280 & 100281). With PerfectSense™ technology the units dispense thin, thick, or thicker toppings from a 1½-gal (6 L) pouch with a 16-mm fitment or a 1.3-gal (4.9-L) jar (direct-pour unit only) and portion up to 1-oz (30-mL); removing hand stops serving early. Conical sensor field triggers dispense when holding hand between approximately 1 and 3-in (2.5 to 7.6-cm) from sensor eye. 24V DC Dispenser with 100V–240V Adapter Power Cord and NEMA 5-15 Plug. NSF listed, c-UL-us Listed, BPA Free. One-year warranty.

NSF c-UL US LISTED BPA free ADA compliant Less than 5 lbs of pressure to dispense.



Pouched models connect to a 1.5-gal (6-L) Cryovac pouch with 16-mm fitment

The direct-pour model dispenses out of a 1.3-gal (4.9-L) dishwasher-safe jar that sits inside vessel



| model/item | drop-in cutout (W x D) |
|------------------|-----------------------------------|
| SE-SS-TDI 100258 | 6 3/8" x 8 1/2" 16.2 x 21.6 cm |

| order amt | dispenses | model/item | application | description | capacity | electrical | dims (H x W x D) | weight | dim a | dim b |
|-----------|-----------|---------------------|-------------|--------------------------------|-------------------|----------------------|---|---------------|-----------------|------------------|
| | | SE-SS-T 100257 | | single, countertop pouched | 1½ gal/6 L pouch | 100-240V 2A (max) | 17" x 6 ½" x 13 9/16" 43.2 x 16.5 x 34.4 cm | 13 lb 6 kg | 4 ¼" 10.8 cm | 12 ½" 31.8 cm |
| | | SE-SS-TDI 100258 | | single, drop-in pouched | 1½ gal/6 L pouch | 100-240V 2A (max) | 9 7/8" x 6 ½" x 13 9/16" 25.1 x 16.5 x 34.4 cm | 13 lb 6 kg | 4 ¼" 10.8 cm | 5 ½" 14 cm |
| | | SE-SS-TDP1.3 100259 | | single, countertop direct-pour | 1.3 gal/4.9 L jar | | 17" x 6 ½" x 13 9/16" 43.2 x 16.5 x 34.4 cm | | 4 ¼" 10.8 cm | 12 ½" 31.8 cm |

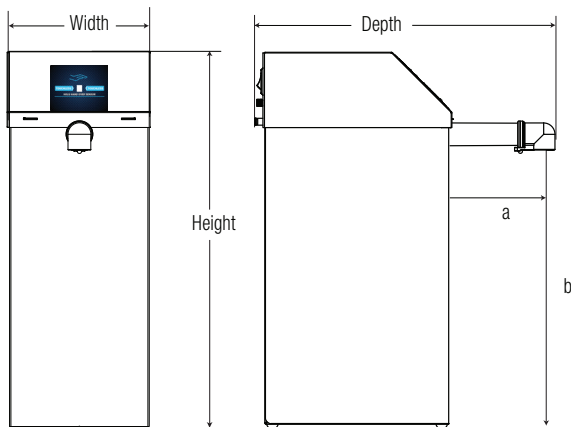
Zero contact. Total Comfort.

Touchless Express™ Dispensing Stations

Models SE-3-T, SE-3-TDI, SE-5-T & SE-5-TDI

SPECIFIER STATEMENT

100468 | 100469 | 100493 | 100446: Server Products Touchless Express™ Dispensing Stations are constructed of a stainless steel vessel with a brushed finish, surgical-quality plastic pumps and a stainless steel lid with side-mounted handles and latches for easy removal. Single-user dispensing stations include Express style pumps (100264) and sensor dividers. PerfectSense® technology allows units to dispense thin, thick, or thicker toppings from a 1½-gal (6-L) pouch with a 16-mm fitment and portion up to 1-oz (30-mL); removing hand stops serving early. Conical sensor field triggers a dispense when holding hand between approximately 1 and 3-in (2.5 to 7.6-cm) from sensor eye. 24V DC Dispenser with 100V–240V Adapter Power Cord and NEMA 5-15 Plug. NSF listed, c-UL-us Listed and BPA Free. One-year warranty.



Stations include sensor dividers to avoid unintended misfires



| model/item | drop-in cutout (W x D) |
|-----------------|-------------------------------------|
| SE-3-TDI 100469 | 16 3/8" x 8 1/2" 41.6 x 21.6 cm |
| SE-5-TD 100446 | 27 3/16" x 8 1/2" 69.1 x 21.6 cm |

| order amt | dispenses | model/item | application | description | capacity | electrical | dims (H x W x D) | weight | dim a | dim b |
|-----------|-----------|--------------------|-------------|-------------------------------|------------------------|----------------------|---|--------------------|---------|---------|
| | | SE-3-T 100468 | | triple, countertop pouched | (3) 1½ gal/6 L pouches | 100-240V 2A (max) | 17" x 17" x 13 9/16" 43.2 x 43.2 x 34.4 cm | 30.2 lb 13.7 kg | 4 1/4" | 12 1/2" |
| | | SE-3-TDI 100469 | | triple, drop-in pouched | | | 9 7/8" x 17" x 13 9/16" 25.1 x 43.2 x 34.4 cm | | 10.8 cm | 5 1/2" |
| | | SE-5-T 100493 | | quintuple, countertop pouched | (5) 1½ gal/6 L pouches | | 17" x 27 1/16" x 13 9/16" 43.2 x 68.7 x 34.4 cm | 39.7 lb 18 kg | 4 1/4" | 12 1/2" |
| | | SE-5-TDI 100446 | | quintuple, drop-in pouched | | | 9 7/8" x 28 1/16" x 13 9/16" 25.1 x 71.3 x 34.4 cm | | 10.8 cm | 5 1/2" |

DISPENSES KEY

-  **THIN**
fountain syrups • oils • hot sauce
-  **THICK**
ketchup • mustard • mayonnaise • bbq
-  **THICKER**
tartar sauce • crafted sauces









APP KEY

-  **AMBIENT**
-  **COLD**
-  **HOT**

Replacement Parts

Touchless Express™ Dispensers

TOUCHLESS EXPRESS™ PUMPS

| order quantity | dispenses | model/item | application | description |
|--------------------------|---|----------------|---|------------------------------------|
| <input type="checkbox"/> |    | 100264 (left) |  | Touchless Express Pump Pouched |
| <input type="checkbox"/> |    | 100265 (right) |  | Touchless Express Pump Direct-Pour |



STATION SENSOR DIVIDER KIT

| order quantity | item | description |
|--------------------------|--------|--------------------------------------|
| <input type="checkbox"/> | 100580 | Touchless Express Sensor Divider Kit |

Divider kit shown with flavor decal installed. One divider kit comes with triples and two divider kits come with quintuples.



DIRECT-POUR, FOOD-SAFE JAR & LID

| order quantity | item | description |
|--------------------------|--------|-----------------------------------|
| <input type="checkbox"/> | 100280 | Touchless Express Direct-Pour Jar |
| <input type="checkbox"/> | 100281 | Touchless Express Direct-Pour Lid |



FLAVOR LABEL SET

| order quantity | item | description |
|--------------------------|--------|--|
| <input type="checkbox"/> | 100246 | Sheet of (8) popular flavor labels to identify condiment(s) within |

- KETCHUP
- HOT SAUCE
- BARBEQUE SAUCE
- MUSTARD
- RELISH
- RANCH DRESSING
- MAYONNAISE
- HOUSE SAUCE