

J 80 Ultra



D

Juice extraction rate	120 L/hour
-----------------------	------------

A glass of ultra-fresh juice in just 7 seconds

A SALES FEATURES

With the J 80 Ultra, you can juice high volumes of all types of fresh fruit and vegetables in a matter of seconds.

B TECHNICAL FEATURES

J 80 Ultra juicer - 120V/60/1. Power: 1 HP. Constant speed: 3450 rpm. Magnetic safety device and motor brake. Stainless-steel bowl and motor unit. Equipped with a large patented automatic feed tube (Ø 3"). Stainless-steel juicer basket, grating disc and filter. Extraction rate: 120 L/h, equivalent to one glass of fresh juice every 7s. Supplied with a large 6.5 L waste container, drip tray and special no-splash spout.

C TECHNICAL DATA

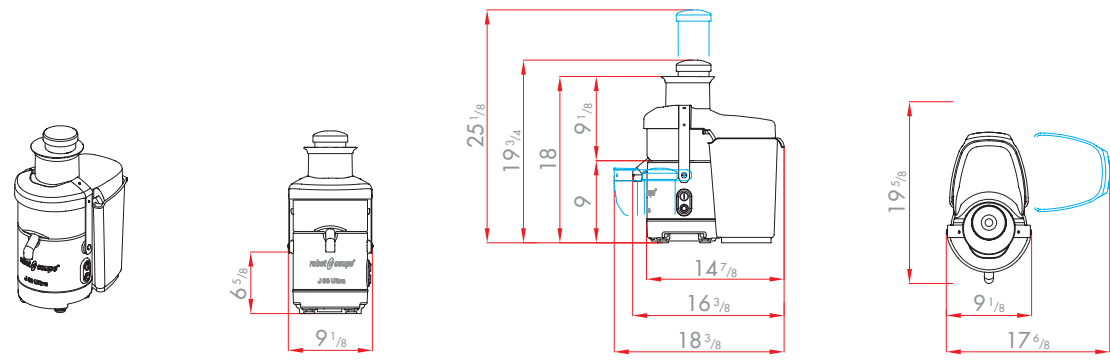
Power	1 HP
Electrical datas	Single phase - 120V/60/1
Constant speed	3450 rpm
Dimensions (LxWxH)	9 1/4" x 21" x 19 3/4"
Gross weight	28 lbs
Reference	J 80A Ultra - 120V/60/1

E PRODUCT FEATURES / BENEFITS

- MOTOR BASE**
- Induction direct drive motor for intensive use.
 - Very powerful, heavy-duty motor so quiet it can be used right in front of the customer
 - Power: 1 HP
 - Stainless-steel bowl and motor unit
 - Magnetic safety device and motor brake
 - Constant speed: 3450 rpm

- JUICER FUNCTION**
- All-metal juicer boasting our Auto Feed system (3" = whole apple) for continuous throughput
 - Stainless-steel juicer basket, grating disc and filter for easy cleaning and aftercare
 - No-splash spout
 - High clearance (6 3/8"), allowing a jug or cocktail glass to be placed underneath the spout
 - You can produce up to 135 glasses of juice before having to stop and empty the large-capacity pulp container

STANDARDS
ETL electrical and sanitation Listed/ cETL (Canada)



J 80 Ultra

